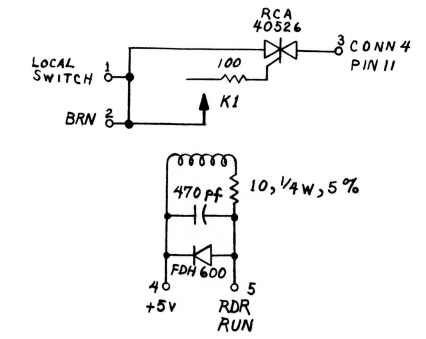


THIS DRAWING AND SPECIFICATIONS, HEREIN, ARE THE PROPERTY OF DATA GENERAL CORPORATION AND SHALL NOT BE REPRODUCED OR COPIED OR USED IN WHOLE OR IN PART AS THE BASIS FOR MANUFACTURE OR SALE OF ITEMS WITHOUT WRITTEN PERMISSION.

REVISIONS				
REV.	DESCRIPTION	DRFTG.	APP. BY	DATE

TELETYPE RELAY BOARD



QTY	DESCRIPTION	PART NO.
1	PC BOARD	107-000006-02
1	RCA 40526 TRIAC	101-000038-00
1	10 1/4 W, 5% RESISTOR	102-000015-00
1	100 1/4 W, 5% RESISTOR	102-000039-00
1	470 pf CAPACITOR	103-000004-00
1	DIODE FDH600	101-000002-00
1	K1 RBM RELAY 99-401242-3	110-000001-00

4010 CONNECTOR WIRING FOR TELETYPE OPTION

CANNON DEC-9S		BACK PANEL NOVA	
PIN	SIGNAL	PIN	
1	+ 5 VOLTS	ANY PIN 3, 4, 97 OR 98	
2	RD RUN	3 A 89	
3	TT IN	3 B 69	
4	- 5 VOLTS	3 A 6	
5	SPARE		
6	TTOUT	3 A 85	
7	+ V	3 A 83	
8	DATA IN STOP	3 A 87	
9	GND	ANY PIN 1, 2, 99 OR 100	

CANNON DEC 9P		CABLE		IN TELETYPE	
PIN	COLOR	SIGNAL	P C B	TERM STRIP PIN	
1	RED	+ 5 VOLTS	+ 5 VOLTS		TWISTED
2	BLK	RD RUN	RD RUN		PAIR
3	GRN	TT IN		3	TWISTED
4	BLUE	- 5 VOLTS		4	PAIR
5		SPARE			
6	WHT	TTOUT		6	TWISTED
7	ORANGE	+ V		7	PAIR
8					JUMPER IN DEC 9P 8, 9
9					

NOTE:  
CABLE IS 13 FEET OVERALL, 6 CONDUCTOR, 3 TWISTED PAIR

QTY.	DESCRIPTION	PART NO.

UNLESS OTHERWISE SPECIFIED— DIMENSIONS ARE IN INCHES TOLERANCES ON FRACTIONS DECIMALS ANGLES XX = XXX ± PARTS TO BE FREE FROM BURRS BREAK ALL EDGES .010	DRAWN	CHECKED	ENGINEER	APPROVED	FIRST USED ON
UNLESS OTHERWISE SPECIFIED— ALL MACH. SURFACES	MATERIAL	FINISH			

DATA GENERAL CORPORATION			
TITLE			
TELETYPE RELAY BOARD AND CONNECTOR WIRING LIST			
SIZE	CODE	DRAWING NUMBER	REV.
D	001	000013	01

SHEET	OF