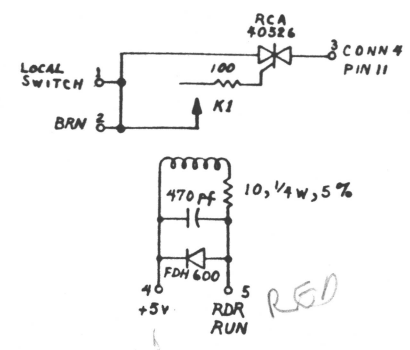


THIS DRAWING AND SPECIFICATIONS, HEREIN, ARE THE PROPERTY OF DATA GENERAL CORPORATION AND SHALL NOT BE REPRODUCED OR COPIED OR USED IN WHOLE OR IN PART AS THE BASIS FOR MANUFACTURE OR SALE OF ITEMS WITHOUT WRITTEN PERMISSION.

REVISIONS				
REV.	DESCRIPTION	DRFTG	APP BY	DATE

TELETYPE RELAY BOARD



QTY	DESCRIPTION	PART NO.
1	PC BOARD	107-000006-02
1	RCA 40526 TRIAC	101-000038-00
1	10 1/4 W, 5% RESISTOR	102-000015-00
1	100 1/4 W, 5% RESISTOR	102-000039-00
1	470 pf CAPACITOR	103-000004-00
1	DIODE FDH600	101-000002-00
1	K1 RBM RELAY 99-401242-3	110-000001-00

4010 CONNECTOR WIRING FOR TELETYPE OPTION

CANNON DEC-9S		BACK PANEL NOVA	
PIN	SIGNAL	PIN	SIGNAL
1	+ 5 VOLTS	ANY PIN 3, 4, 97 OR 98	
2	RD RUN	3 A 89	
3	TT IN	3 B 69	
4	- 5 VOLTS	3 A 6	
5	SPARE		
6	TTOUT	3 A 85	
7	+ V	3 A 83	
8	DATA IN STOP	3 A 87	
9	GND	ANY PIN 1, 2, 99 OR 100	

CANNON DEC 9P		IN TELETYPE			
PIN	COLOR	CABLE SIGNAL	PCB	TERM STRIP PIN	
1	RED	+ 5 VOLTS	+ 5 VOLTS	6 BROWN	TWISTED
2	BLK	RD RUN	RD RUN	3 RCP	PAIR
3	GRN	TT IN		3 OR	TWISTED
4	BLUE	- 5 VOLTS		4 YEL.	PAIR
5		SPARE			
6	WHT	TTOUT		6 GRN	TWISTED
7	ORANGE	+ V		7 BLU	PAIR
8				JUMPER IN	
9				DEC 9P 8, 9	

12 PINS

BROWN A97 PIN 8
 RED A84 PIN 4
 OR B69 PIN 11
 YEL A6 PIN 12
 GRN A85 PIN 2
 BLU A83 PIN 1

NOTE:
 CABLE IS 13 FEET OVERALL, 6 CONDUCTOR, 3 TWISTED PAIR

UNLESS OTHERWISE SPECIFIED— DIMENSIONS ARE IN INCHES TOLERANCES ON FRACTIONS DECIMALS ANGLES XX = XXX = PARTS TO BE FREE FROM BURRS BREAK ALL EDGES 010	QTY	DESCRIPTION	PART NO.
	DRAWN W. Beckwith 3-70	DATA GENERAL CORPORATION	
	CHECKED	TITLE TELETYPE RELAY BOARD AND CONNECTOR WIRING LIST	
	ENGINEER		
APPROVED			
UNLESS OTHERWISE SPECIFIED— ALL MACH SURFACES	FIRST USED ON		
MATERIAL			
FINISH			
SHEET 1 OF 1	SIZE CODE D 001	DRAWING NUMBER 000013	REV. 01