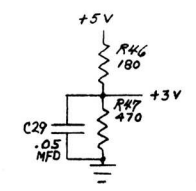
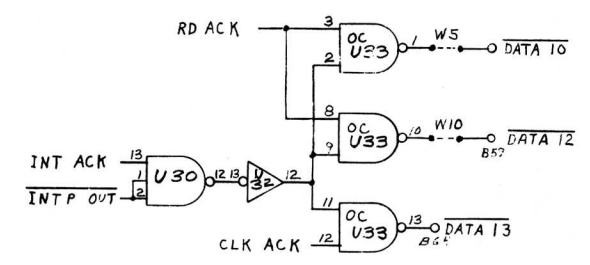
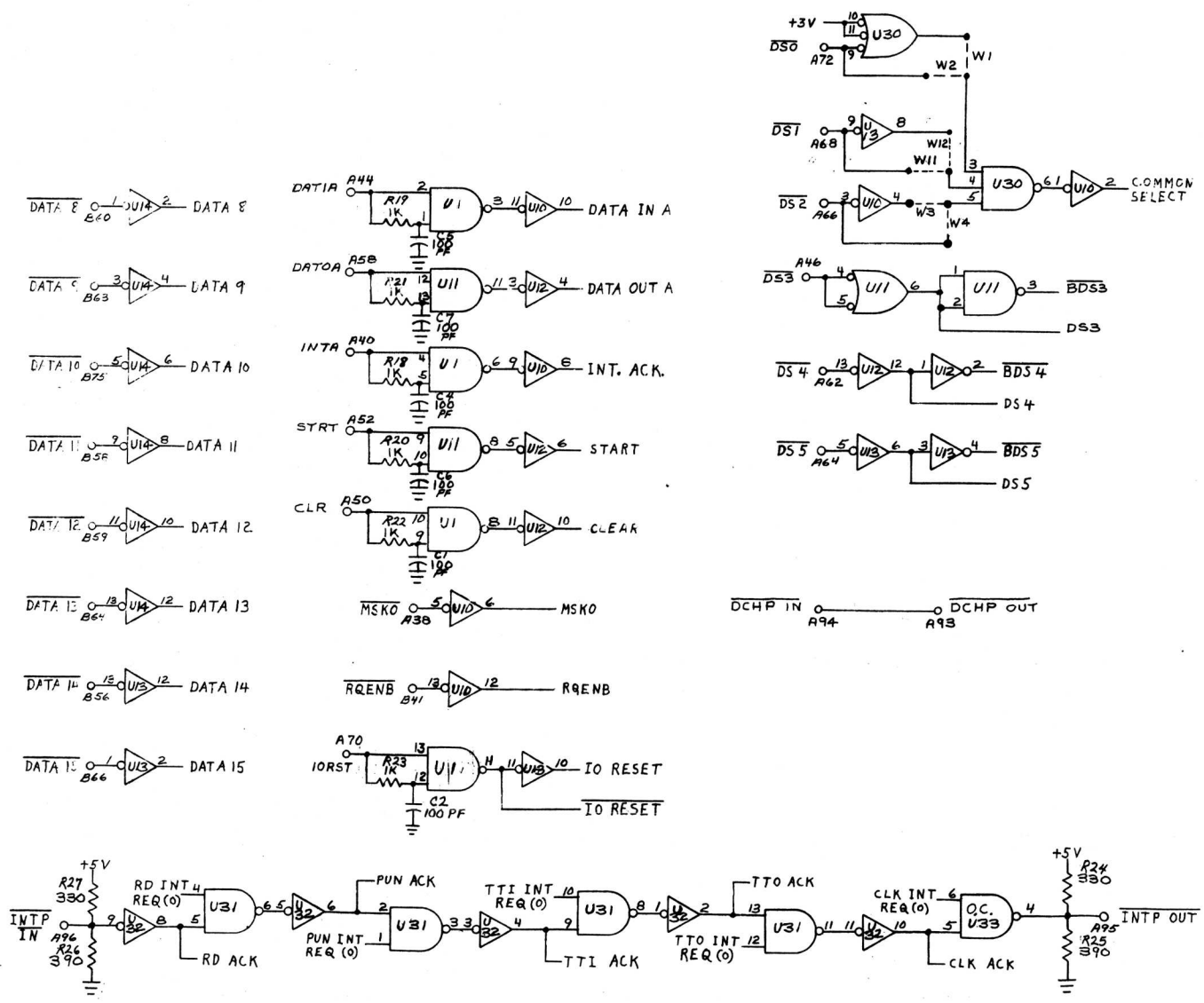


THIS DRAWING AND SPECIFICATIONS, HEREIN, ARE THE PROPERTY OF DATA GENERAL CORPORATION AND SHALL NOT BE REPRODUCED OR COPIED OR USED IN WHOLE OR IN PART AS THE BASIS FOR MANUFACTURE OR SALE OF ITEMS WITHOUT WRITTEN PERMISSION.

REVISIONS					
ECO	REV.	DESCRIPTION	DRFTG.	APP. BY	DATE
074	02	ADD W10	RNK		10/1/77
345	03	ADD W11 & W12	RNK		7-6-77



NOTE: CAPACITORS C14, C15, C27, C30 ARE .05 MFD. CAPACITORS C13, C26 ARE 6.8 MFD. THESE CAPACITORS ARE LISTED AS FILTERS AND AS SUCH ARE NOT SHOWN ON THIS DRAWING

UNLESS OTHERWISE SPECIFIED— DIMENSIONS ARE IN INCHES TOLERANCES ON FRACTIONS DECIMALS ANGLES X.XX ± .01 X.XXX ± .005 PARTS TO BE FREE FROM BURRS BREAK ALL EDGES .010	QTY.	DESCRIPTION	PART NO.
DRAWN		<b>DATA GENERAL CORPORATION</b>	
CHECKED		TITLE	
ENGINEER		IO BUS RECEIVERS & COMMON SELECT	
APPROVED		MATERIAL	
		FINISH	
		SIZE	CODE
		D	001
		DRAWING NUMBER	REV
		000070	03