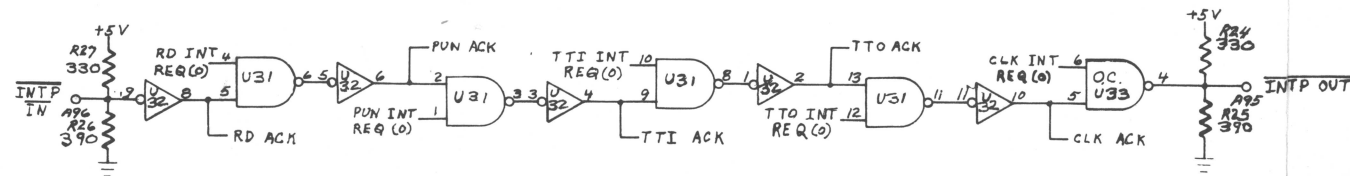
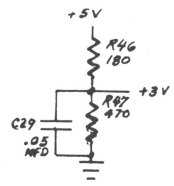
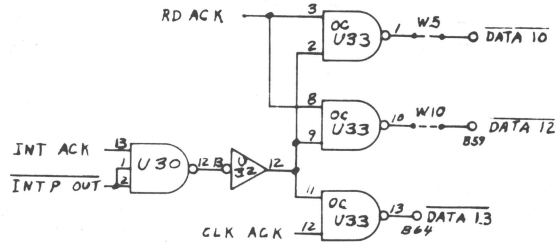
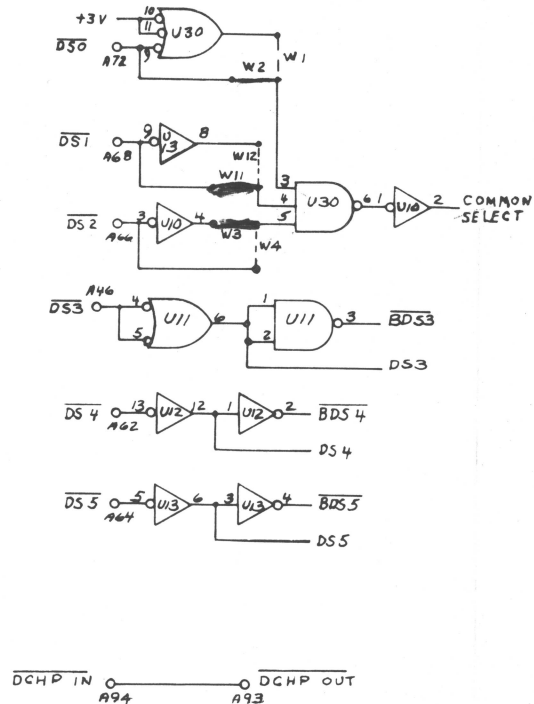
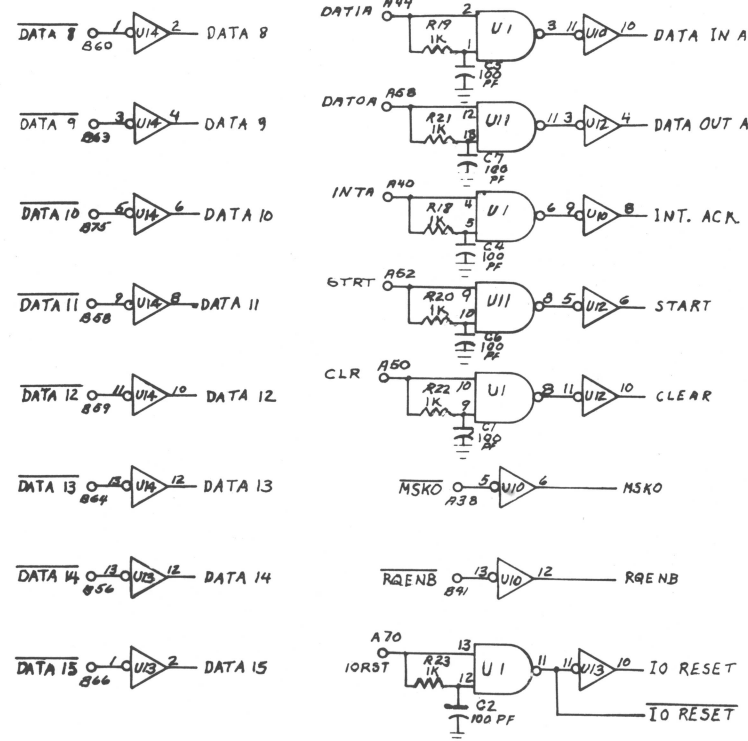


THIS DRAWING AND SPECIFICATIONS HEREIN ARE THE PROPERTY OF DATA GENERAL CORPORATION AND SHALL NOT BE REPRODUCED OR COPIED OR USED IN WHOLE OR IN PART AS THE BASIS FOR MANUFACTURE OR SALE OF ITEMS WITHOUT WRITTEN PERMISSION.

REVISIONS				
REV	DESCRIPTION	DRFTG	APP BY	DATE
574	5	RLE	V. 12	
575	03	RLD	W11 & W12	RNK
				7/67

8-bit Character
↓



INTERNAL INT. CHAIN

NOTE: CAPACITORS C14, C15, C27, C30 ARE .05 MFD. CAPACITORS C13, C26 ARE .01 MFD. THESE CAPACITORS ARE USED AS FILTERS AND AS SUCH ARE NOT SHOWN ON THIS DRAWING.

QTY	DESCRIPTION	PART NO
	DATA GENERAL CORPORATION	
	TITLE	
	IO BUS RECEIVERS & COMMON SELECT	
	DRAWN	
	CHECKED	
	ENGINEER	
	APPROVED	
	FIRST USED ON	
	WATER AL	
	FINISH	
	SHEET 1 OF 1	SIZE CODE D 001
	DRAWING NUMBER 000070	REV 03