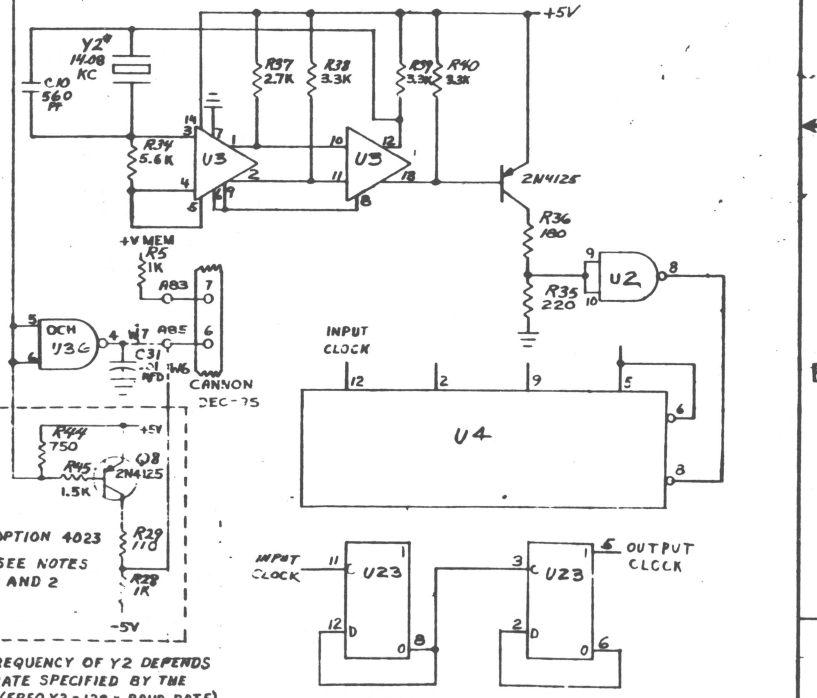


REV.	DESCRIPTION	DRFTG.	APP. BY	DATE
ECO C40, Q65		RNK		10-13-70
ECO 180, 217		RNK		5-18-71



REV.	DESCRIPTION	DRFTG.	APP. BY	DATE
06	NO CHANGE/ECOS: 7181002 RY			7-27-70
04	ECO 428	WJG		7-20-70
03	ECO 345	RNK		7-6-71

QTY.	DESCRIPTION	PART NO.
	DATA GENERAL CORPORATION	
	TITLE	
	TELETYPE CONTROL	
	SIZE	DRAWING NUMBER
	D	000071
	SHEET	REV
	OF	C6

NOTE 1: REMOVE 470 Ω 2W RES (R50) WHEN INSTALLING 4023 OPTION

NOTE 2: CHANGE 1MFD CAPACITOR (C39) TO .01 MFD WHEN 4023 OPTION INSTALLED

NOTE: CAPACITORS C16, C17, C18, C19, C21, C22, C23, C24, C32, C34, C35, C36, C38 ARE .05 MFD. CAPACITORS C20, C25, C40 ARE 6.8 MFD. THESE CAPACITORS ARE USED AS FILTERS AND AS SUCH ARE NOT SHOWN.

THIS DRAWING AND SPECIFICATIONS, HEREIN, ARE THE PROPERTY OF DATA GENERAL CORPORATION AND SHALL NOT BE REPRODUCED OR COPIED OR USED IN WHOLE OR IN PART AS THE BASIS FOR MANUFACTURE OR SALE OF ITEMS WITHOUT WRITTEN PERMISSION.