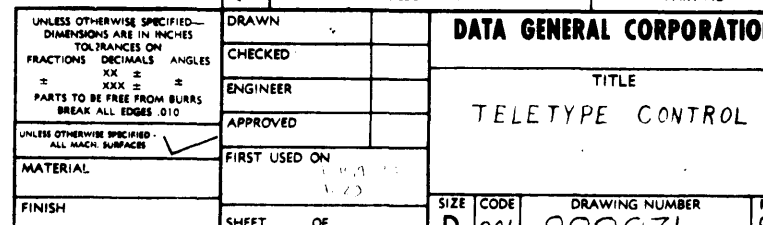
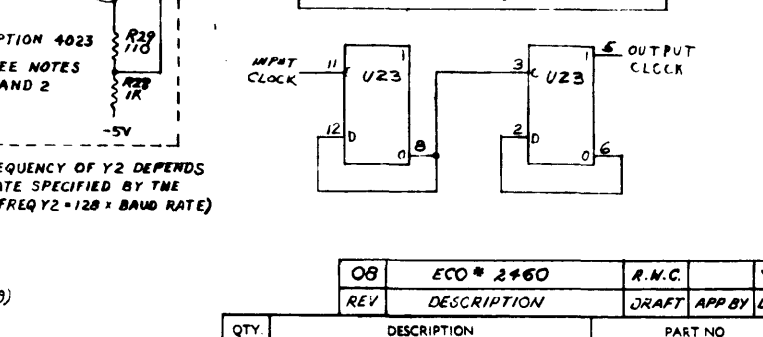
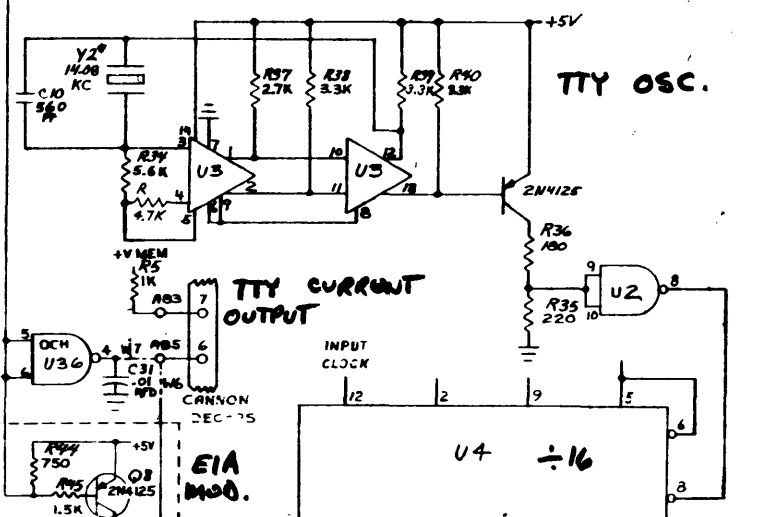
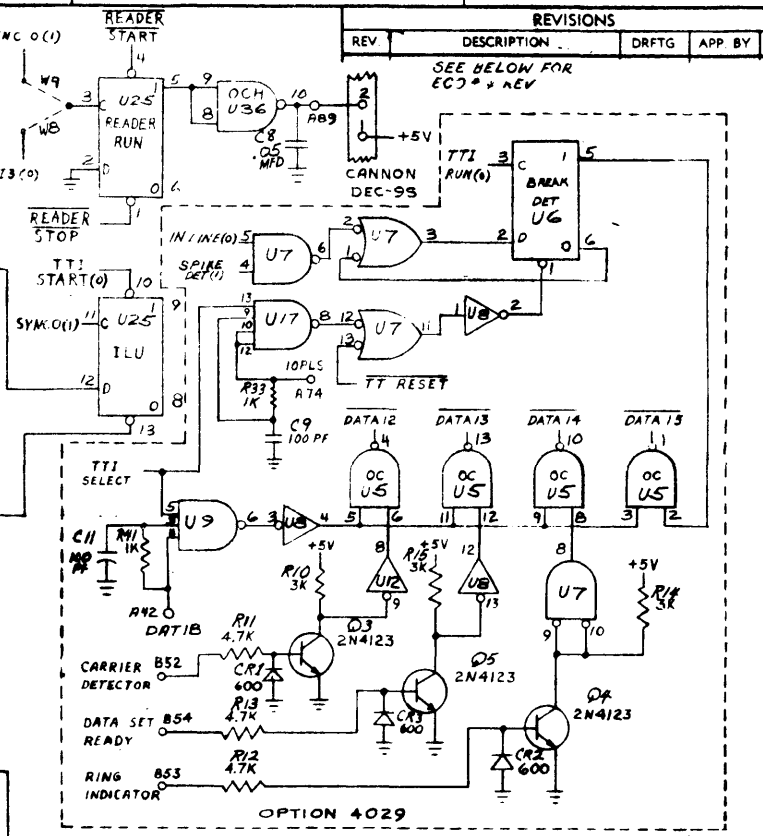
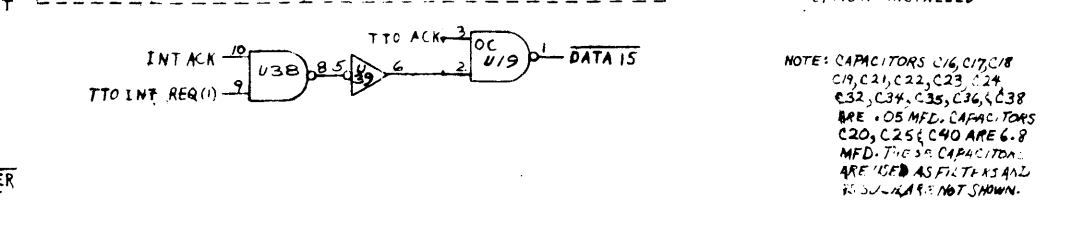
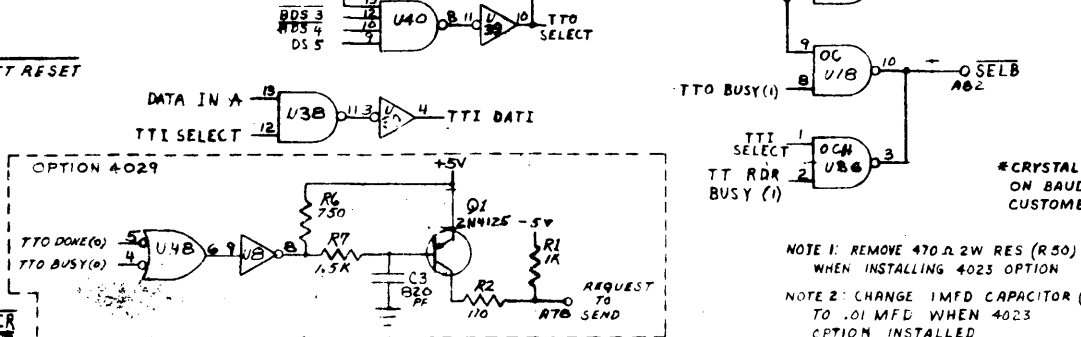
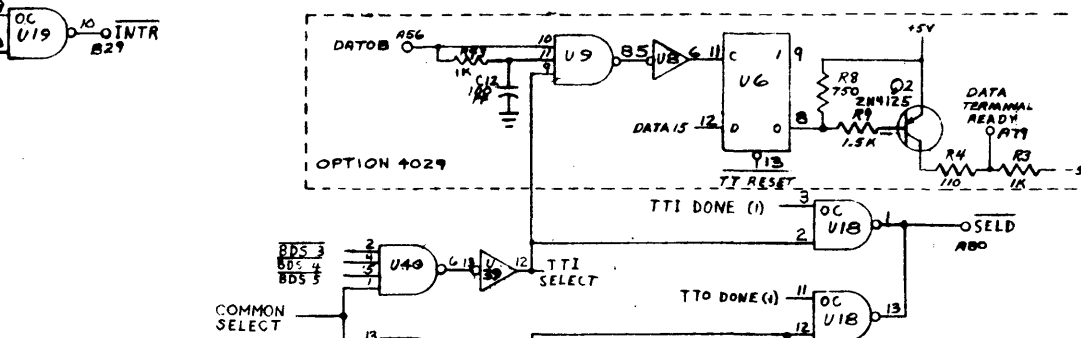
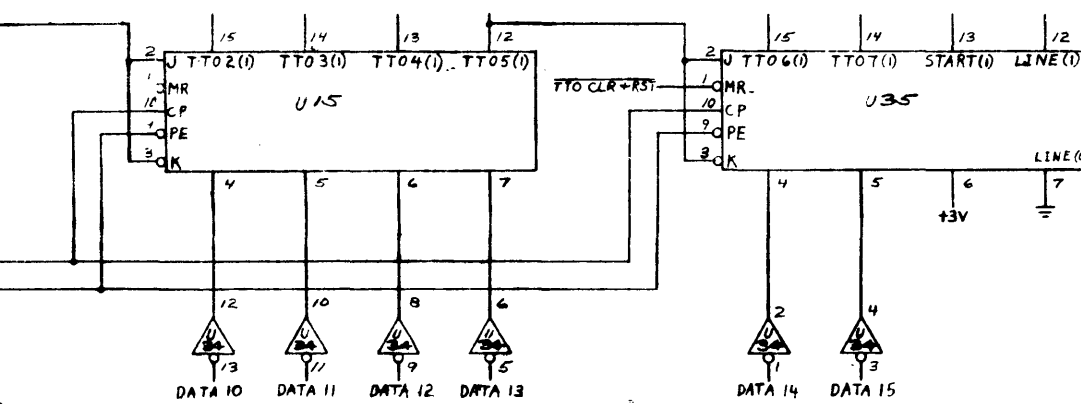
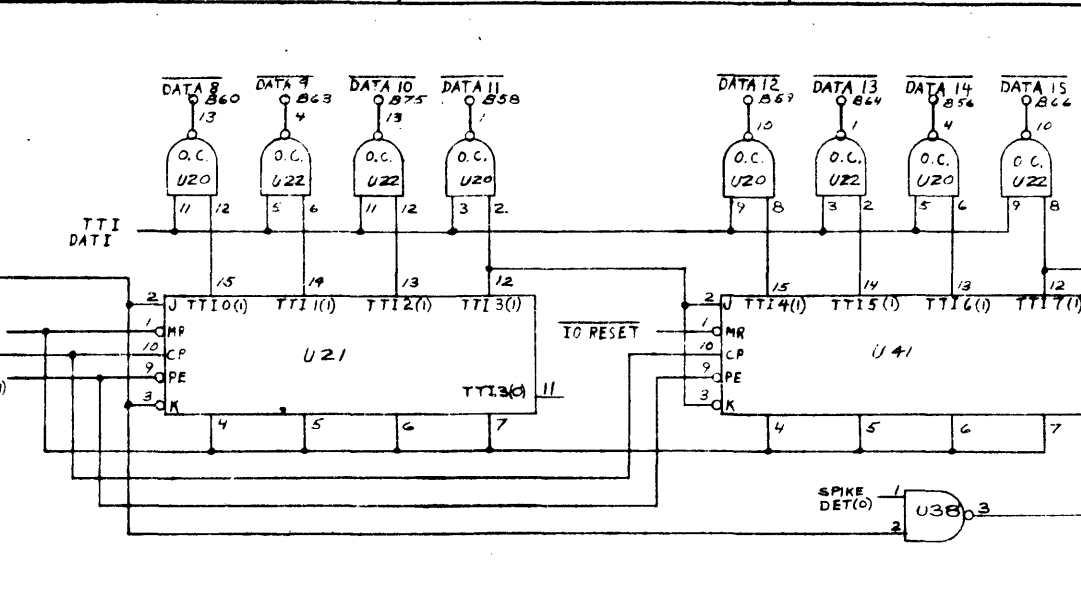
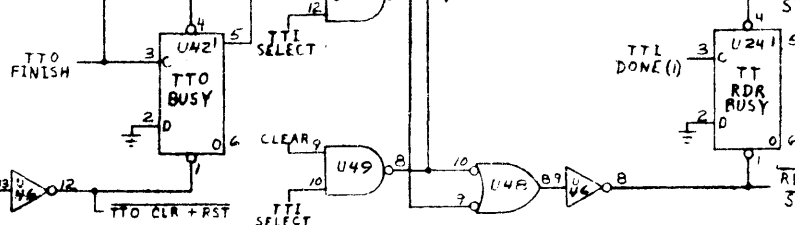
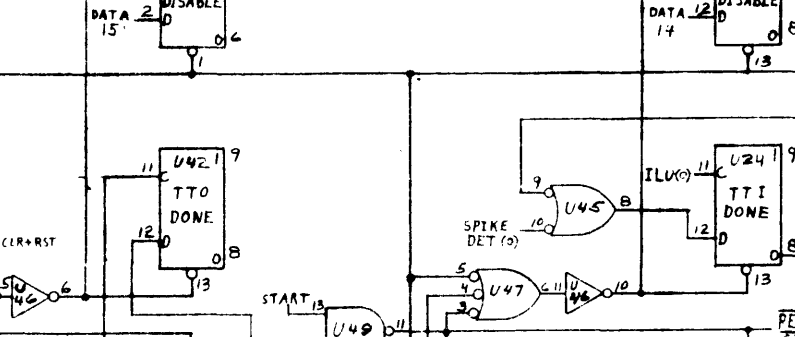
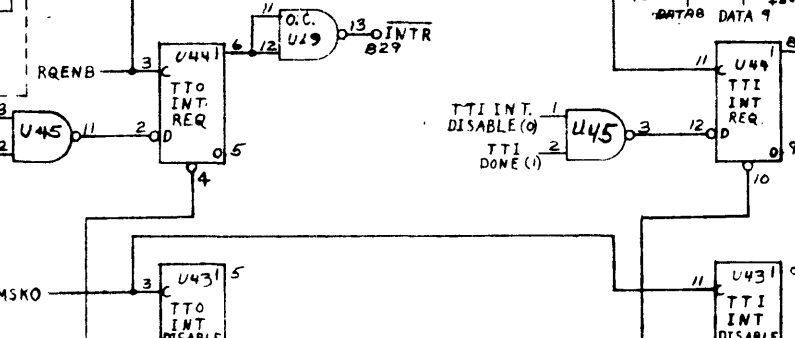
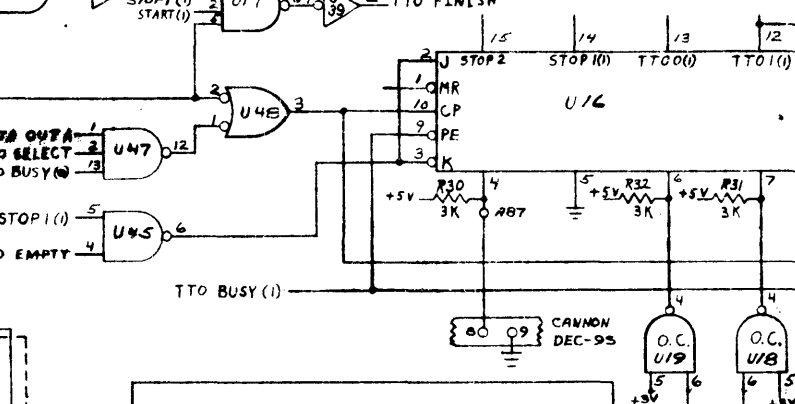
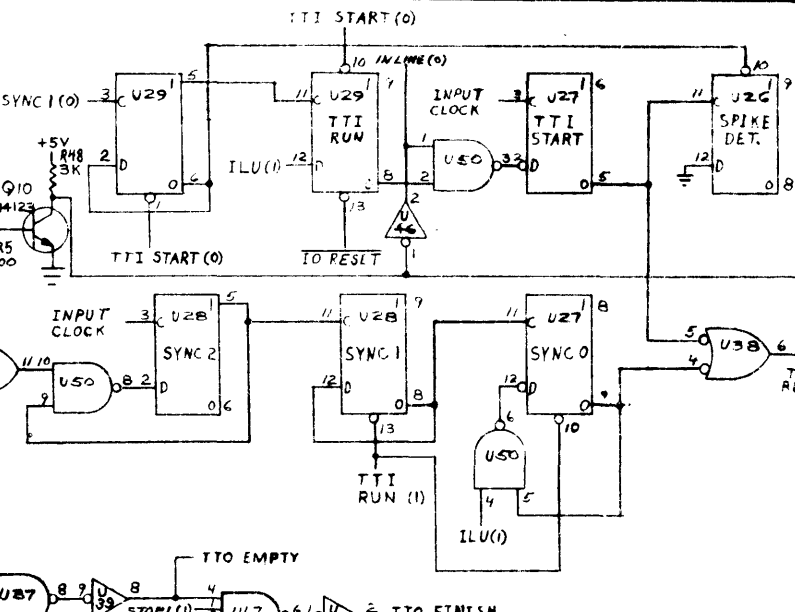
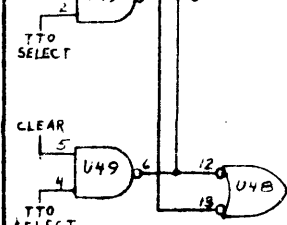
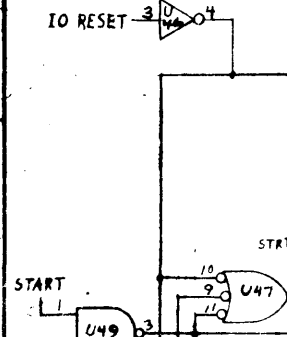
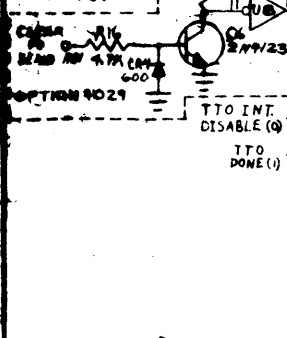
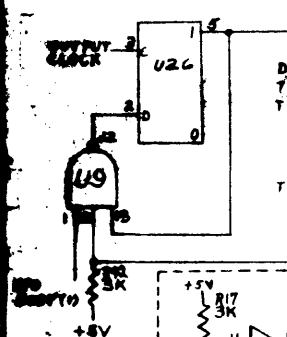
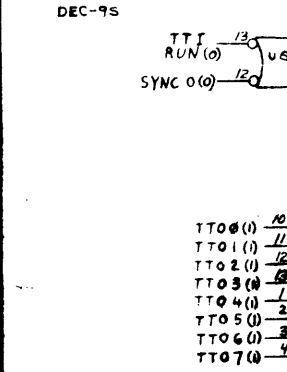
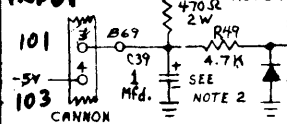


THIS DRAWING AND SPECIFICATIONS HEREIN ARE THE PROPERTY OF DATA GENERAL CORPORATION AND SHALL NOT BE REPRODUCED OR COPIED OR USED IN WHOLE OR IN PART AS THE BASIS FOR MANUFACTURE OR SALE OF ITEMS WITHOUT WRITTEN PERMISSION.

For EIA operation remove R50

TTY INPUT



REVISIONS			
REV	DESCRIPTION	DRFTG	APP BY DATE
08	ECO # 2460	R.N.C.	5-7 76
REV	DESCRIPTION	DRFTG	APP BY DATE

NOTE 1: REMOVE 470.2W RES (R50) WHEN INSTALLING 4025 OPTION

NOTE 2: CHANGE 1MFD CAPACITOR (C39) TO .01 MFD WHEN 4023 OPTION INSTALLED

NOTE: CAPACITORS C16, C17, C18, C19, C21, C22, C23, C24, C32, C34, C35, C36, C38 ARE .05 MFD. CAPACITORS C20, C25, C40 ARE 6.8 MFD. THE 0.05 CAPACITORS ARE USED AS FILTERS AND RESISTORS ARE NOT SHOWN.

QTY	DESCRIPTION	PART NO
08	ECO # 2460	R.N.C.
REV	DESCRIPTION	DRFTG APP BY DATE

UNLESS OTHERWISE SPECIFIED—DIMENSIONS ARE IN INCHES TOLERANCES ON FRACTIONS DECIMALS ANGLES		
XXX ±	XXX ±	XXX ±
PARTS TO BE FREE FROM BURRS BREAK ALL EDGES .010		
UNLESS OTHERWISE SPECIFIED—ALL MACH SURFACES		
MATERIAL		
FINISH		
FIRST USED ON		
DRAWN		
CHECKED		
ENGINEER		
APPROVED		
SHEET OF		
DRAWING NUMBER		
REV		

SIZE	CODE	DRAWING NUMBER	REV
D	001	000071	08

DATA GENERAL CORPORATION

TITLE

TELETYPE CONTROL

UNLESS OTHERWISE SPECIFIED—DIMENSIONS ARE IN INCHES TOLERANCES ON FRACTIONS DECIMALS ANGLES

PARTS TO BE FREE FROM BURRS BREAK ALL EDGES .010