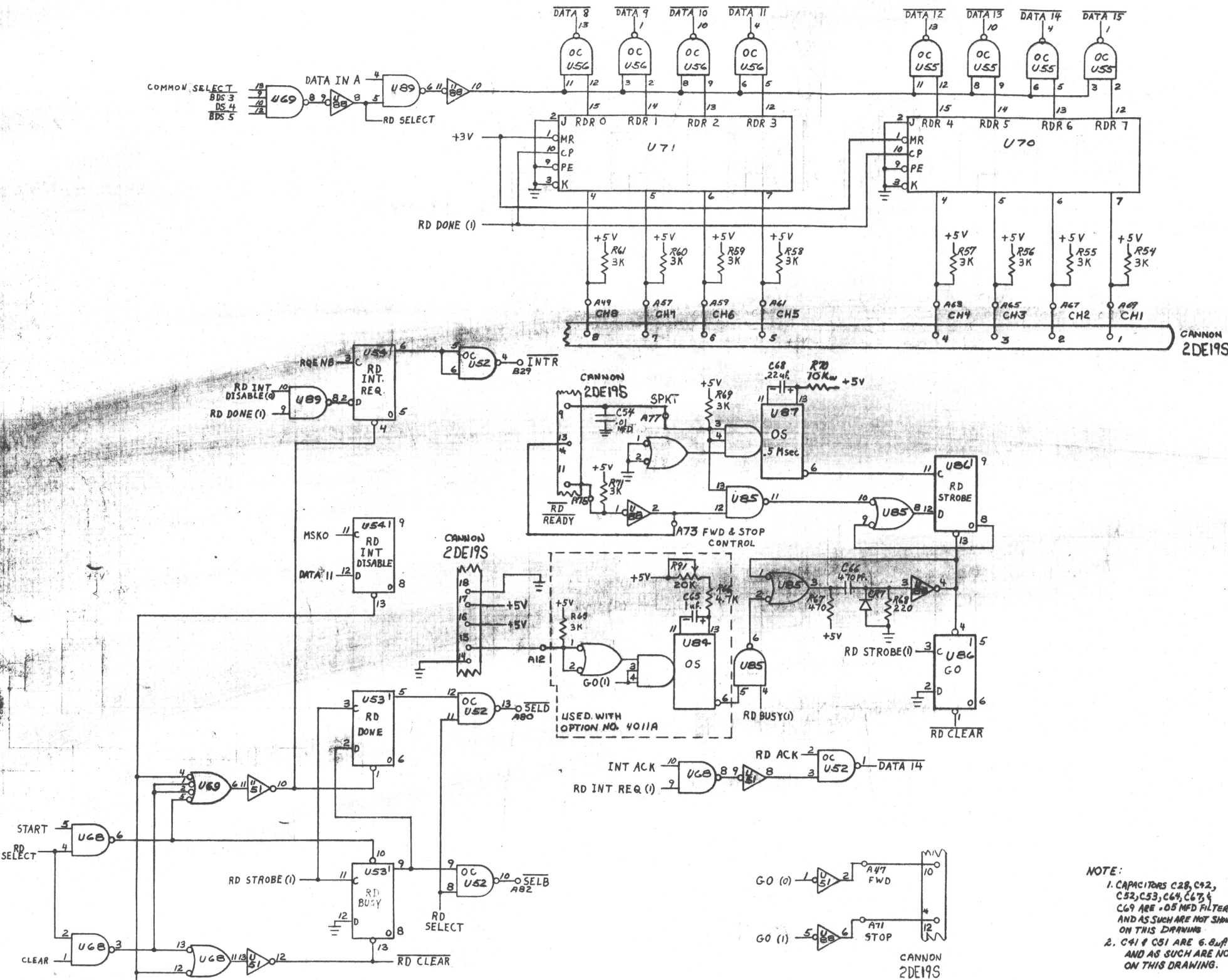


THIS DRAWING AND SPECIFICATIONS, HEREIN, ARE THE PROPERTY OF DATA GENERAL CORPORATION AND SHALL NOT BE REPRODUCED OR COPIED OR USED IN WHOLE OR IN PART AS THE BASIS FOR MANUFACTURE OR SALE OF ITEMS WITHOUT WRITTEN PERMISSION.

REVISIONS				
REV.	DESCRIPTION	DRFTG.	APP. BY	DATE
03	ECO* 1477	R.W.C.		3-78
04	ECO* 2377	R.W.C.		6-78
05	ECO* 2465	R.W.C.		6-78



NOTE:  
 1. CAPACITORS C28, C32, C33, C64, C67, C69 ARE .05 MFD FILTERS, AND AS SUCH ARE NOT SHOWN ON THIS DRAWING.  
 2. C41 & C51 ARE 6.8µF 35V. FILTERS AND AS SUCH ARE NOT SHOWN ON THIS DRAWING.

NOTE  
 \* USED WITH OPTION NO. 4011B

QTY.	DESCRIPTION	PART NO.
	DRAWN	
	CHECKED	
	ENGINEER	
	APPROVED	
	FIRST USED ON	
	MATERIAL	
	FINISH	
	SHEET OF	

UNLESS OTHERWISE SPECIFIED— DIMENSIONS ARE IN INCHES TOLERANCES ON FRACTIONS DECIMALS ANGLES XX ± ± XXX ± ± PARTS TO BE FREE FROM BURRS BREAK ALL EDGES .010				<b>DATA GENERAL CORPORATION</b>	
UNLESS OTHERWISE SPECIFIED— ALL MACH. SURFACES				TITLE <b>PAPER TAPE READER CONTROL 4011</b>	
SIZE	CODE	DRAWING NUMBER	REV.		
D	001	000072	05		