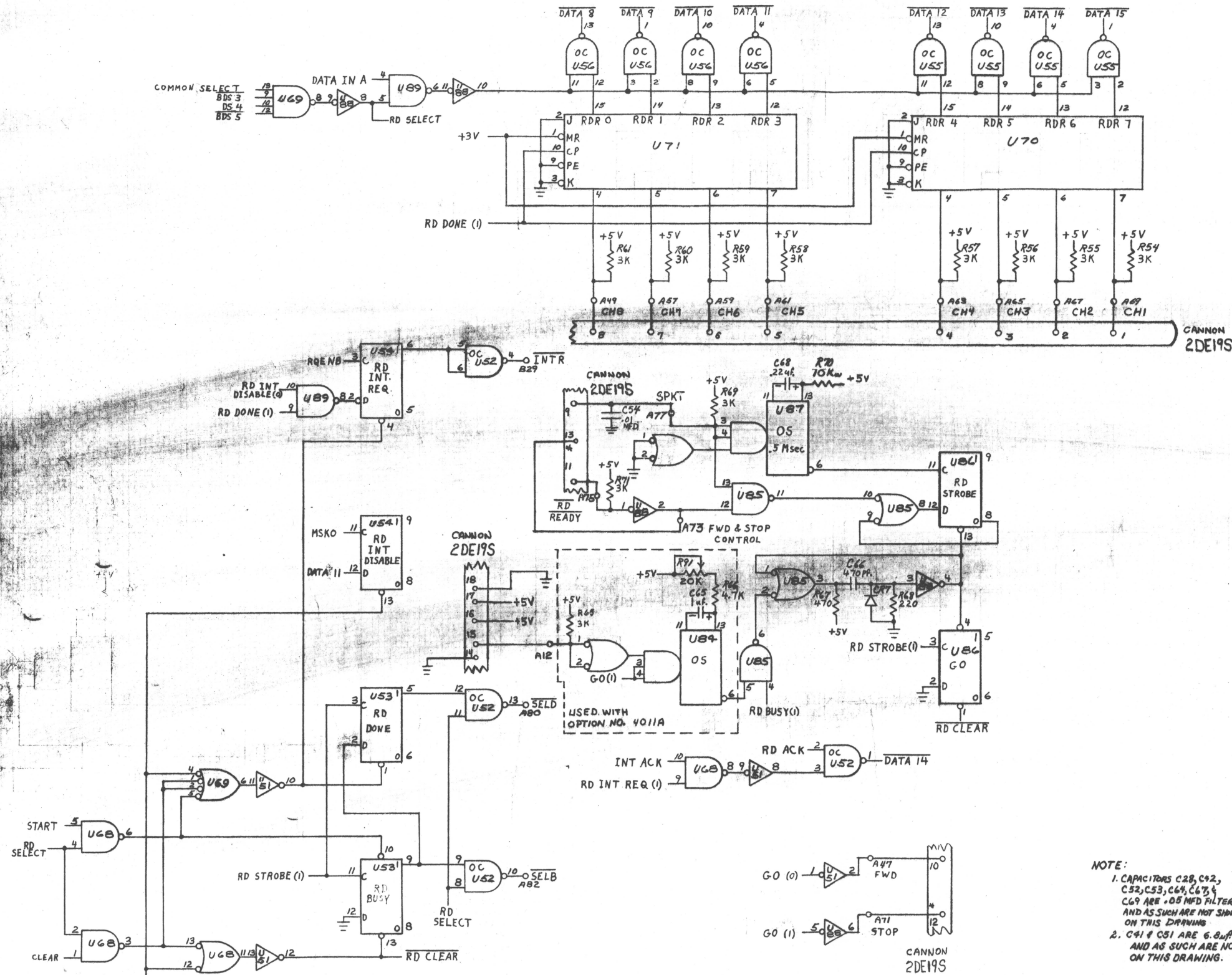


THIS DRAWING AND SPECIFICATIONS, HEREIN, ARE THE PROPERTY OF DATA GENERAL CORPORATION AND SHALL NOT BE REPRODUCED OR COPIED OR USED IN WHOLE OR IN PART AS THE BASIS FOR MANUFACTURE OR SALE OF ITEMS WITHOUT WRITTEN PERMISSION.

REVISIONS				
REV.	DESCRIPTION	DRFTG.	APP. BY	DATE
03	ECO # 1477	R.W.C.		3-26
04	ECO # 2377	R.W.C.		6-78
05	ECO # 2465	R.W.C.		6-78



NOTE:
 1. CAPACITORS C28, C42, C52, C53, C68, C69, C69 ARE .05 MFD FILTERS AND AS SUCH ARE NOT SHOWN ON THIS DRAWING.
 2. C41 & C51 ARE 6.8µF 35V. FILTERS AND AS SUCH ARE NOT SHOWN ON THIS DRAWING.

NOTE
 * USED WITH OPTION No. 4011B

QTY.	DESCRIPTION	PART NO.
	UNLESS OTHERWISE SPECIFIED— DIMENSIONS ARE IN INCHES TOLERANCES ON FRACTIONS DECIMALS ANGLES	
	± .XX ± .XX ± .XX	
	PARTS TO BE FREE FROM BURRS BREAK ALL EDGES .010	
	UNLESS OTHERWISE SPECIFIED— ALL MACH. SURFACES	
	MATERIAL	
	FINISH	
	DRAWN	
	CHECKED	
	ENGINEER	
	APPROVED	
	FIRST USED ON	
	SIZE CODE	D 001
	DRAWING NUMBER	000072
	REV.	0A

DATA GENERAL CORPORATION
 TITLE
PAPER TAPE READER CONTROL 4011