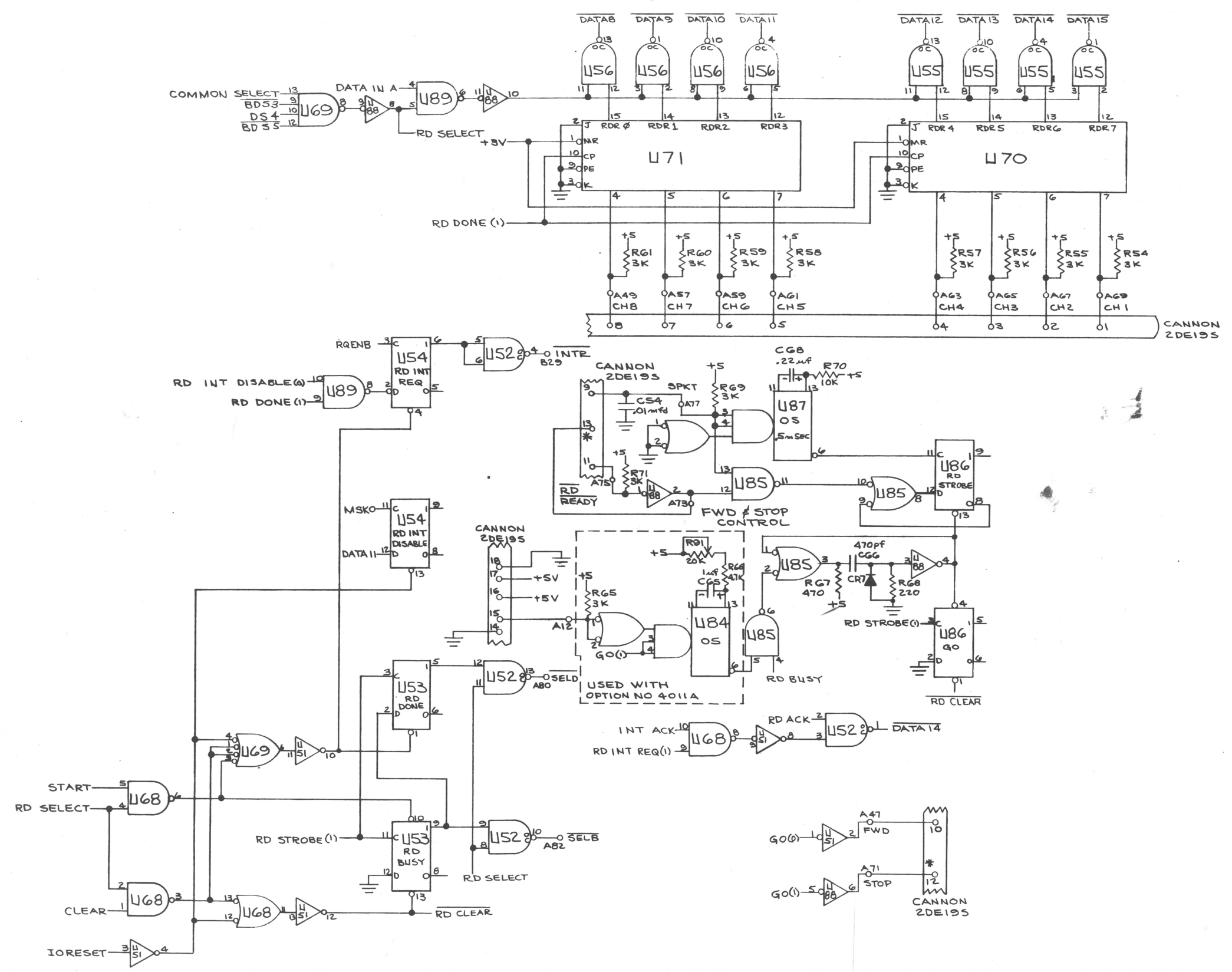


THIS DRAWING AND SPECIFICATIONS HEREIN ARE THE PROPERTY OF DATA GENERAL CORPORATION AND SHALL NOT BE REPRODUCED OR COPIED OR USED IN WHOLE OR IN PART AS THE BASIS FOR MANUFACTURE OR SALE OF ITEMS WITHOUT WRITTEN PERMISSION.

REVISIONS				
REV.	DESCRIPTION	DRFTG	APP BY	DATE
05	ECO # 2465	F.W.C.	J.W.	7/1/75
REDRAWN NO CHANGE				
06	PER ECO 7197			7/2/75



NOTES:
 1. C28, 42, 52, 53, 64, 67, 69 ARE .05 MFD FILTERS AND AS SUCH ARE NOT SHOWN ON THIS DRAWING.

*USED WITH OPTION NO. 4011 B

QTY	DESCRIPTION	PART NO
	UNLESS OTHERWISE SPECIFIED USE D.G.C. SPECIFICATION 108-000028 FOR TOLERANCES AND WORKMANSHIP REQUIREMENTS	
	DRAWN <i>R. Schum</i> 6-20-75	
	CHECKED <i>R. Johnson</i> 6-20-75	
	ENGINEER	
	APPROVED	
	FIRST USED ON 4011	
	SCALE	
MATERIAL		
FINISH		
DATA GENERAL CORPORATION SOUTHBORO, MASSACHUSETTS 01772 TITLE PAPER TAPE READER CONTROL 4011		
SIZE	CODE	DRAWING NUMBER
D		001 000 072
REV		06
SHEET 1 OF 1		

BRUNING 40-528 20411