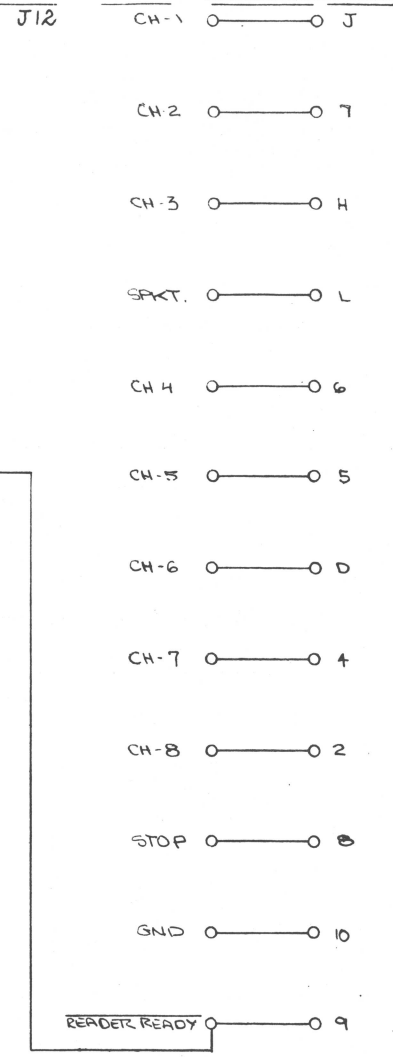
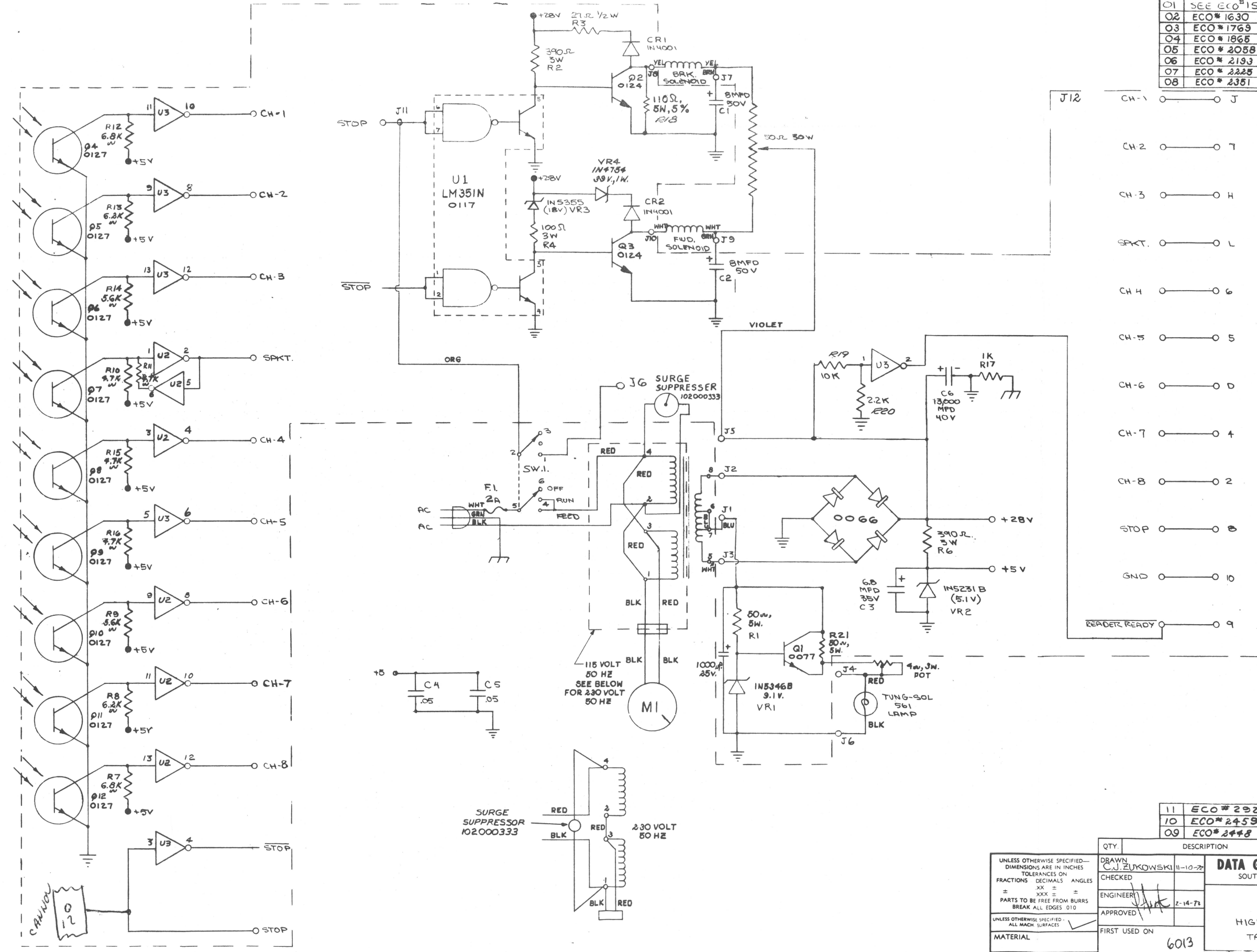


THIS DRAWING AND SPECIFICATIONS, HEREIN, ARE THE PROPERTY OF DATA GENERAL CORPORATION AND SHALL NOT BE REPRODUCED OR COPIED OR USED IN WHOLE OR IN PART AS THE BASIS FOR MANUFACTURE OR SALE OF ITEMS WITHOUT WRITTEN PERMISSION.

REVISIONS			
REV	DESCRIPTION	DRFTG.	APP. BY DATE
01	SEE ECO# 1575	GRM	11-73
02	ECO# 1630	R.W.C.	11-73
03	ECO# 1769	R.W.C.	11-73
04	ECO# 1865	R.W.C.	11-73
05	ECO# 2058	R.W.C.	11-73
06	ECO# 2193	R.W.C.	11-73
07	ECO# 2225	R.W.C.	11-73
08	ECO# 2351	R.W.C.	11-73



11	ECO# 2927	RWB	RJ	11-73
10	ECO# 2459	G.W.M.	R.F.	11-73
09	ECO# 2448	R.W.C.	R.F.	11-73

QTY.	DESCRIPTION	PART NO.
	DRAWN	
	CHECKED	
	ENGINEER	
	APPROVED	
	FIRST USED ON	
	SCALE	

SIZE	CODE	DRAWING NUMBER	REV
D	001	000283	11

DATA GENERAL CORPORATION
SOUTHBORO, MASSACHUSETTS 01772

TITLE
READER
HIGH SPEED PAPER
TAPE ELECTRONICS