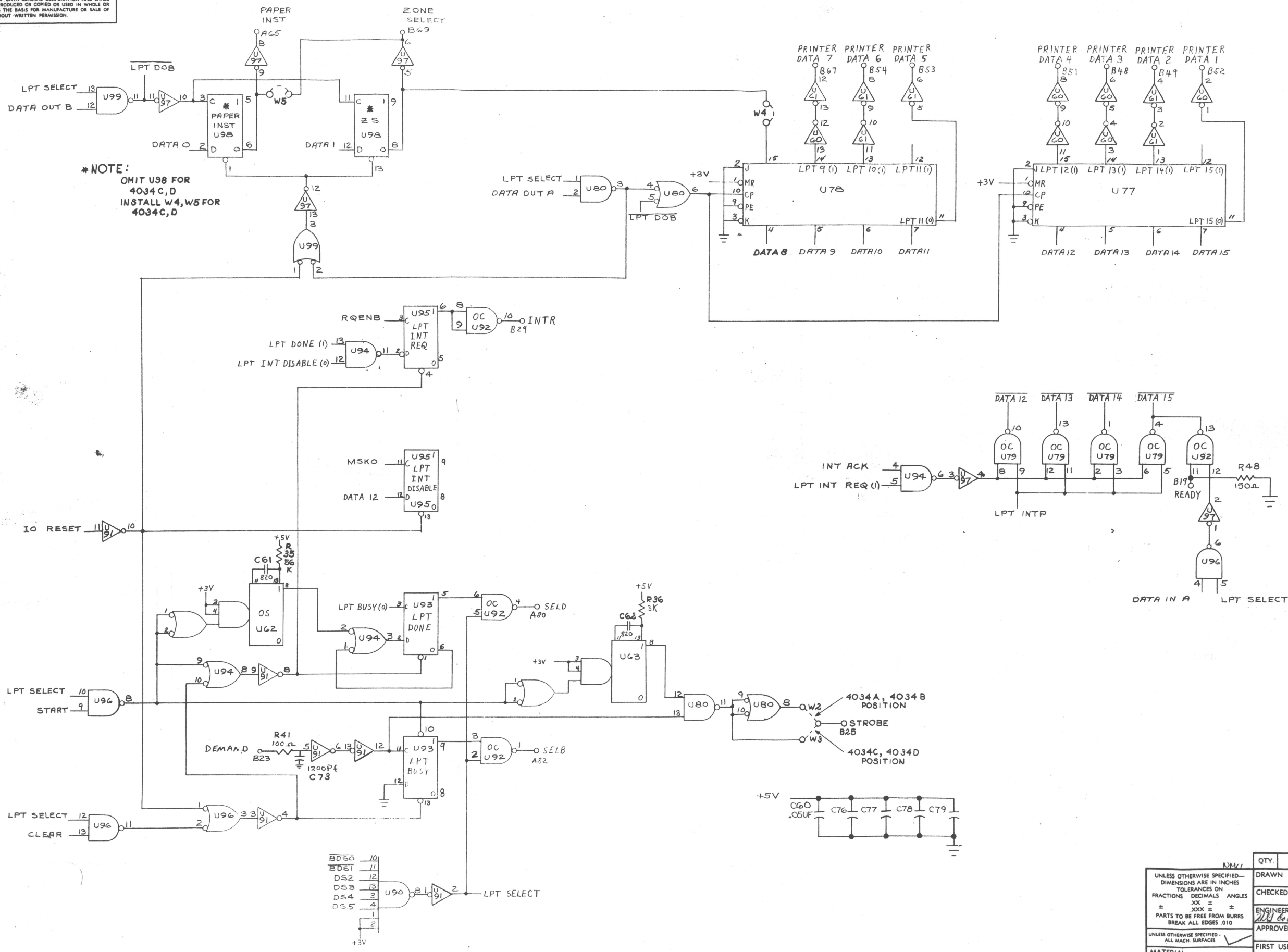


THIS DRAWING AND SPECIFICATIONS, HEREIN, ARE THE PROPERTY OF DATA GENERAL CORPORATION AND SHALL NOT BE REPRODUCED OR COPIED OR USED IN WHOLE OR IN PART AS THE BASIS FOR MANUFACTURE OR SALE OF ITEMS WITHOUT WRITTEN PERMISSION.



\*NOTE:  
OMIT U98 FOR  
4034C,D  
INSTALL W4,W5 FOR  
4034C,D

REVISIONS				
REV.	DESCRIPTION	DRFTG.	APP. BY	DATE
01	1. ADD 150-Ω, 1100 PFT TO DEMAND INPUT			
	2. DELETE "LPT SELECT" FROM U98, ADD LPT INT REQ() TO U98		S.B. Smith	10/7/70
	1. ADD WIRE TO PROPAGATE D.C.H.P.			
	2. ADD +3V SOURCE			
	3. CORRECT OUTPUT PINS ON BUSY FLOP		D. LAZARUS	10/8/70
02				
03	ECO* 1213, JUMPERS NO'S. W1# W2 ADDED.		R.W.C.	12-4-72
04	ECO* 1283, R35 10KΩ CHANGED TO 56KΩ; U98 PIN 5 CHANGED TO PIN 6; PIN 6 " " PIN 5.		R.W.C.	12-27-72
05	ECO* 1310, JUMPER NO'S. W1# W2 CHANGED. W1 TO W2 # W2 TO W3		R.W.C.	12-27-72
06	ECO* 1613		R.W.C.	5-17-74
07	ECO* 2423		R.E.J.	6-13-74

UNLESS OTHERWISE SPECIFIED— DIMENSIONS ARE IN INCHES		QTY.	DESCRIPTION	PART NO.
TOLERANCES ON FRACTIONS	DECIMALS ANGLES			
±	XXX ±			
PARTS TO BE FREE FROM BURRS BREAK ALL EDGES .010				
UNLESS OTHERWISE SPECIFIED— ALL MACH. SURFACES				
DRAWN				
CHECKED				
ENGINEER				
APPROVED				
MATERIAL				
FIRST USED ON				
TYPE 4034				
FINISH				
SCALE				
SIZE		CODE	DRAWING NUMBER	REV.
D		001	000086	07

**DATA GENERAL CORPORATION**  
SOUTHBORO, MASSACHUSETTS 01772  
TITLE  
**LINE PRINTER CONTROL**  
(DATA PRODUCTS 2310, 2410)