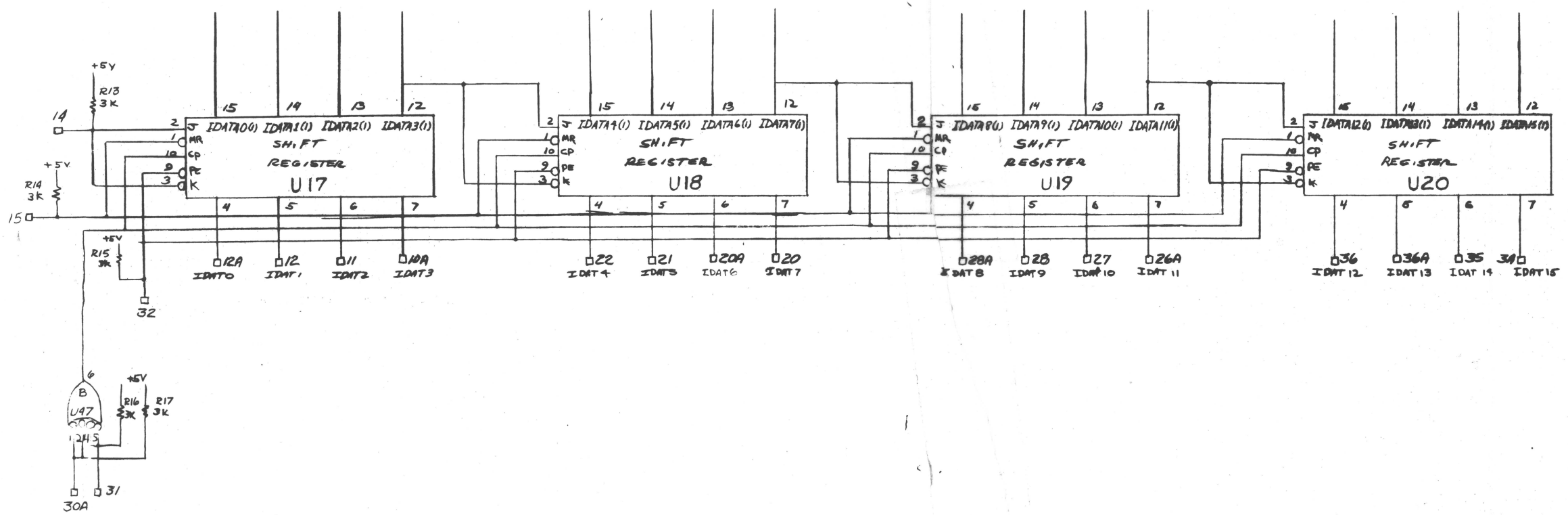


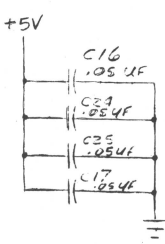
THE DIMENSIONS AND SPECIFICATIONS HEREIN ARE THE PROPERTY OF DATA GENERAL CORPORATION AND SHALL NOT BE REPRODUCED OR COPIED OR USED IN WHOLE OR IN PART AT ANY TIME FOR MANUFACTURE OR SALE OF ANY PRODUCT.

REVISIONS				
REV	DESCRIPTION	DRFTG	APP	DATE
01	IC'S RENUMBERED FROM C23 TO C16, C26 TO C17	RHS		6/9/77
02	PER EC6107	RHS		11-24-77



NOTE 1 □ DESIGNATES WIRE WRAP PIN
 ○ DESIGNATES EDGE CARD CONN.

I/O BOARD INPUT DATA REGISTER



QTY.		DESCRIPTION	PART NO.
DRAWN			
CHECKED			
ENGINEER			
APPROVED			
FIRST USED ON		107 0000 54	
MATERIAL			
FINISH			
SHEET 1 OF 2		SIZE D	CODE 001
		DRAWING NUMBER	0000 52
		REVISION	02

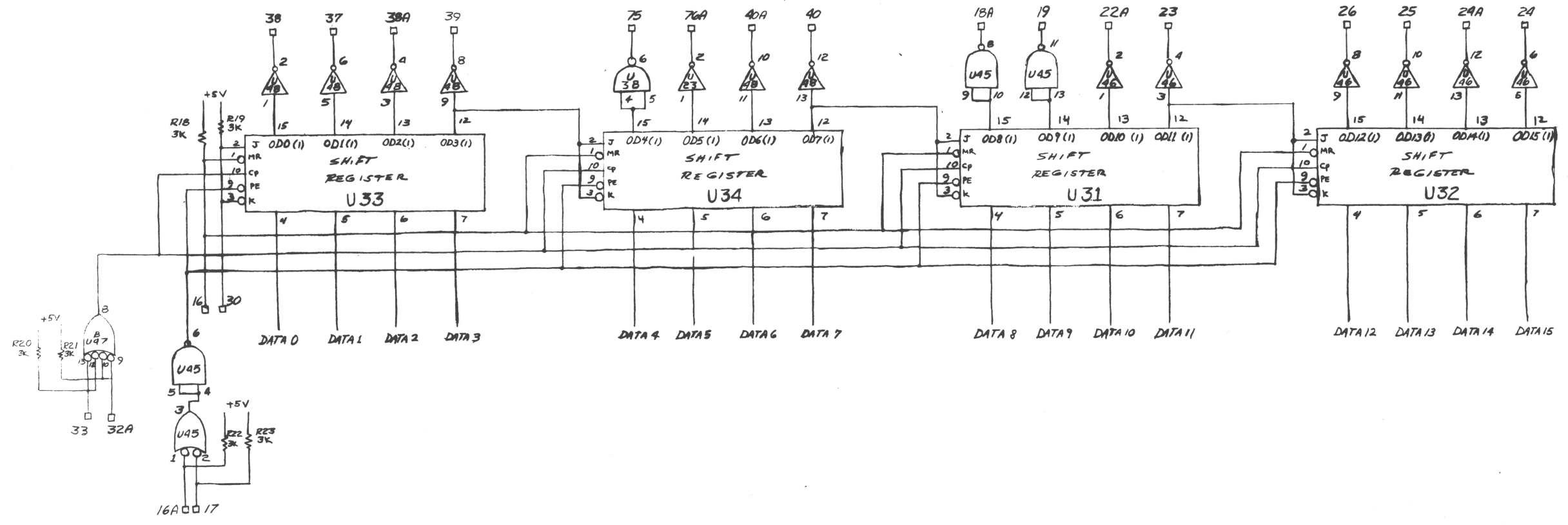
DATA GENERAL CORPORATION
 TITLE
**I/O BOARD
 INPUT DATA REGISTER**
 (9-A)

OPT II

ALL DRAWING AND SPECIFICATIONS, HEREIN, ARE THE PROPERTY OF DATA GENERAL CORPORATION AND SHALL NOT BE REPRODUCED OR COPIED OR USED IN WHOLE OR IN PART AS THE BASIS FOR MANUFACTURE OR SALE OF ANY PRODUCT WITHOUT WRITTEN PERMISSION.

REVISIONS				
REV.	DESCRIPTION	DRFTG	APP BY	DATE
01	IC'S RENUMBERED	RHS		6/5/70
02	PER ECO #107	RHS		11/24/71

Doc



NOTE 1. □ DESIGNATES WIRE WRAP PIN
 ○ DESIGNATES EDGE CARD CONN.

I/O BOARD OUTPUT DATA REGISTER

QTY		DESCRIPTION	PART NO
DRAWN		DATA GENERAL CORPORATION TITLE I/O BOARD OUTPUT DATA REGISTER (4041)	
CHECKED			
ENGINEER			
APPROVED			
MATERIAL		FIRST USED ON	107 0000 54
FINISH		SHEET 2 OF 2	SIZE CODE DRAWING NUMBER REV D 001 0000 52 02