

REVISIONS			
REV	DESCRIPTION	DATE	APP BY
01	PER ECO # 1285		
02	PER ECO # 1285		
03	PER ECO # 1000/1001		
04	PER ECO # 1285		
05	PER ECO # 1285		
06	PER ECO # 1285		
07	PER ECO # 1627		

A 47	○
A 49	○
A 57	○
A 59	○
A 61	○
A 67	○
A 69	○
A 71	○
B 6	○
B 11	○
B 13	○
B 15	○
B 19	○
B 23	○
B 31	○
B 34	○
B 36	○
B 38	○
B 40	○
B 48	○
B 47	○
B 49	○

SPARE CONNECTOR PINS

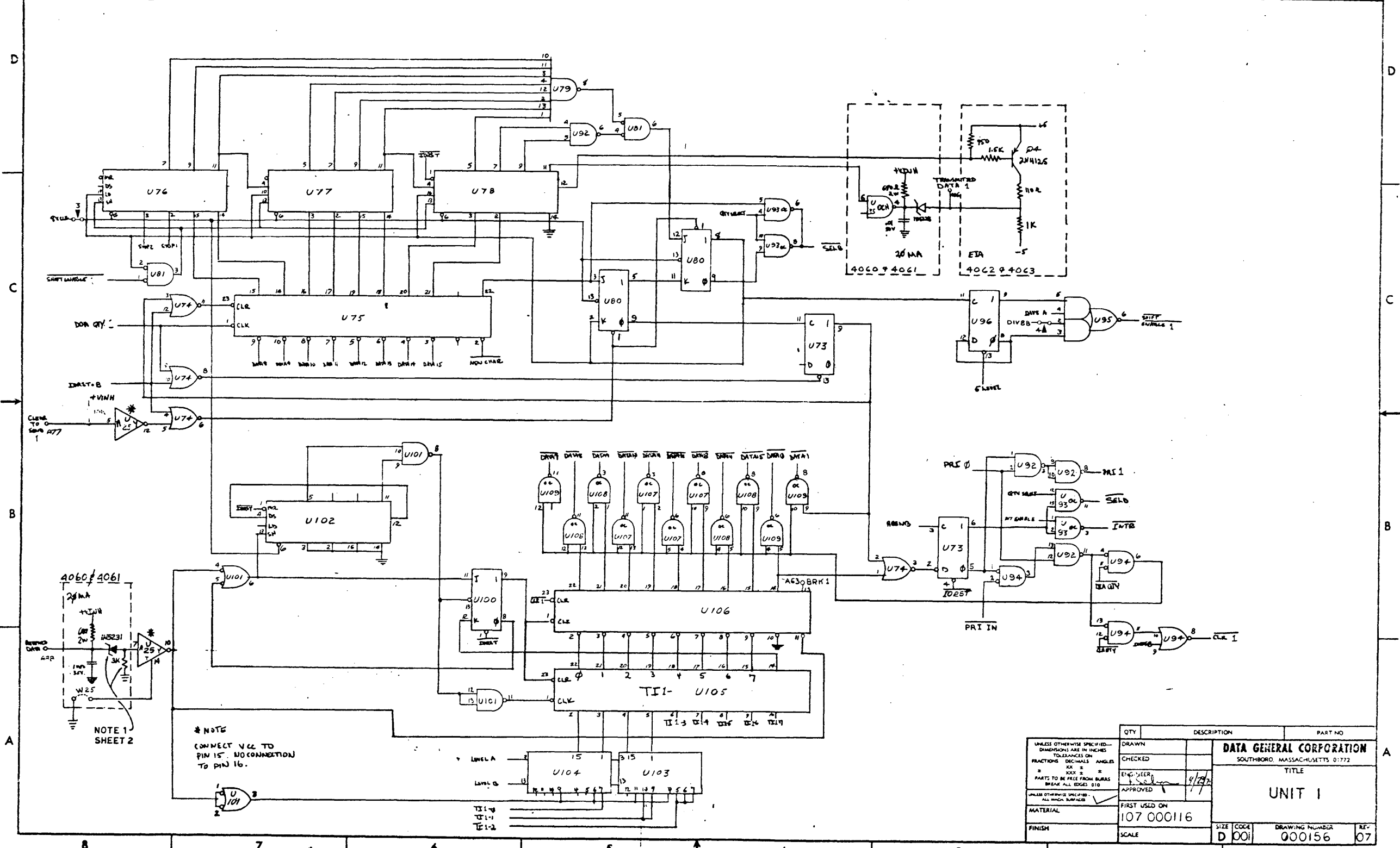
QTY	DESCRIPTION	PART NO
1	U19	74139
1	U15	74139
1	U14	74139
1	U13	74139
1	U12	74139
1	U11	74139
1	U10	74139
1	U9	74139
1	U8	74139
1	U7	74139
1	U6	74139
1	U5	74139
1	U4	74139
1	U3	74139
1	U2	74139
1	U1	74139

DRAWN		CHECKED		ENGINER		APPROVED	
107-000116		107-000116		107-000116		107-000116	
MATERIAL		FINISH		SCALE		SIZE	
107-000116		107-000116		107-000116		107-000116	
DRAWING NUMBER		DRAWING NUMBER		DRAWING NUMBER		DRAWING NUMBER	
000156		000156		000156		000156	
REV		REV		REV		REV	
07		07		07		07	

NOTE: ALL RESISTORS 1K OHMS UNLESS OTHERWISE INDICATED. OTHER WIRE INDICATED. ALL CAPACITORS .100UF UNLESS OTHERWISE INDICATED. O INDICATES POINT FOR ETCH CUT TO ISOLATE 'B' CLK AND 'D' DIV B.

NOT TO SCALE AND DIFFERENTIAL WIDTHS ARE THE PROPERTY OF DATA GENERAL CORPORATION AND SHALL BE REPRODUCED OR COPIED OR USED IN WHOLE OR IN PART IN THE MANUFACTURE OF ANY PRODUCT WITHOUT WRITTEN PERMISSION.

REVISIONS		
NO.	DESCRIPTION	DATE



NOTE 1
SHEET 2

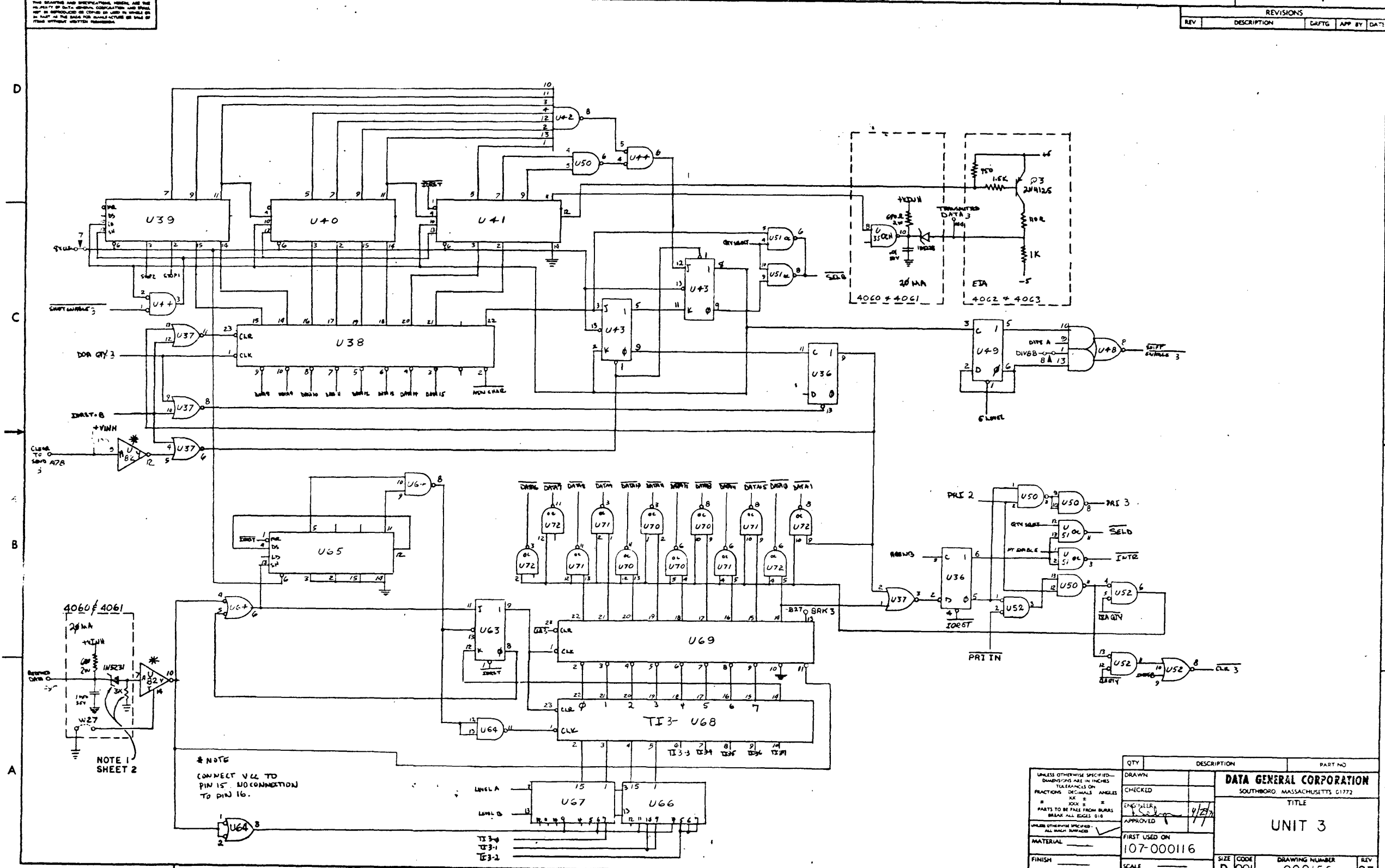
NOTE
CONNECT VCC TO
PIN 15. NO CONNECTION
TO PIN 16.

QTY	DESCRIPTION	PART NO.

UNLESS OTHERWISE SPECIFIED— DIMENSIONS ARE IN INCHES TOLERANCES ON FRACTIONS DECIMALS ANGLES XXX = PARTS TO BE FREE FROM BURRS BREAK ALL EDGES 0.10 UNLESS OTHERWISE SPECIFIED ALL MACH NUMBER		DRAWN		DATA GENERAL CORPORATION SOUTHBORO, MASSACHUSETTS 01772	
CHECKED				TITLE	
ENGINEER				UNIT 1	
APPROVED				FIRST USED ON	
				107 000116	
MATERIAL				SCALE	
FINISH				D 001	
				DRAWING NUMBER	
				000156	
				REF.	
				07	

THIS DRAWING AND SPECIFICATIONS SHALL BE THE PROPERTY OF DATA GENERAL CORPORATION AND SHALL NOT BE REPRODUCED OR COPIED IN WHOLE OR IN PART OR IN ANY MANNER WITHOUT WRITTEN PERMISSION.

REVISIONS			
REV	DESCRIPTION	DATE	APP BY



NOTE 1 SHEET 2

* NOTE
CONNECT VCC TO PIN 15. NO CONNECTION TO PIN 16.

QTY	DESCRIPTION	PART NO

UNLESS OTHERWISE SPECIFIED— DIMENSIONS ARE IN INCHES FRACTIONS DECIMALS ANGLES X X X X X PARTS TO BE FREE FROM BURRS BREAK ALL EDGES 0.18 UNLESS OTHERWISE SPECIFIED ALL MACH SURFACES	DRAWN CHECKED ENGINEER APPROVED FIRST USED ON 107-000116 SCALE	DATA GENERAL CORPORATION SOUTHBORO, MASSACHUSETTS 01772 TITLE UNIT 3 DRAWING NUMBER 000156 REV 07
---	--	--