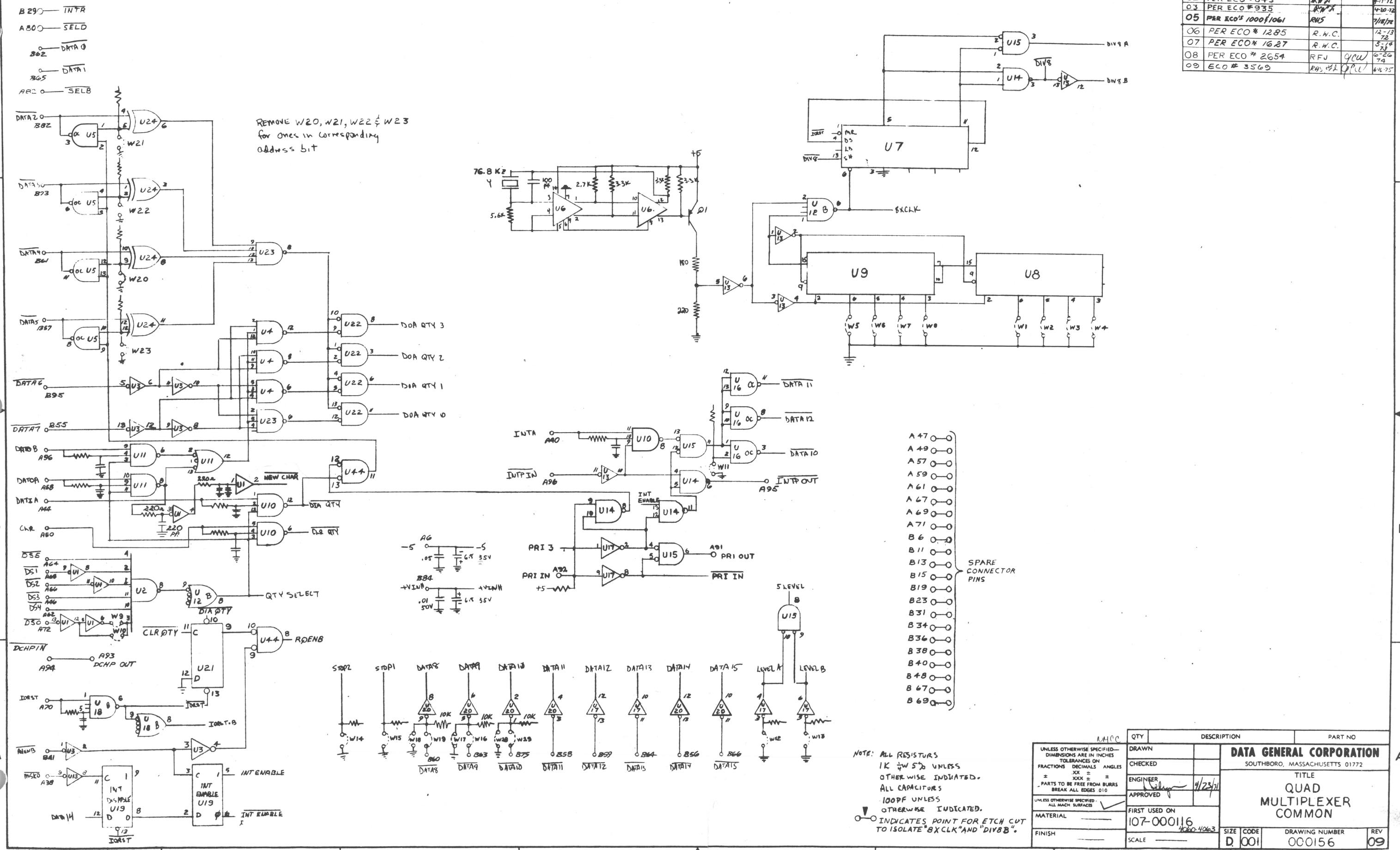


THIS DRAWING AND SPECIFICATIONS HEREIN ARE THE PROPERTY OF DATA GENERAL CORPORATION AND SHALL NOT BE REPRODUCED OR COPIED OR USED IN WHOLE OR IN PART AS THE BASIS FOR MANUFACTURE OR SALE OF ITEMS WITHOUT WRITTEN PERMISSION.

REVISIONS				
REV	DESCRIPTION	DRFTG	APP BY	DATE
02	PER ECO #843	RWF		7-17-72
03	PER ECO #935	RWF		4-10-72
05	PER ECO'S 1000/1061	RMS		7/18/72
06	PER ECO # 1285	R.W.C.		12-13-72
07	PER ECO # 1627	R.W.C.		5-14-73
08	PER ECO # 2654	RFJ	ycw	6-26-73
09	ECO # 3569	RHJ, RL	gpc	6-14-75



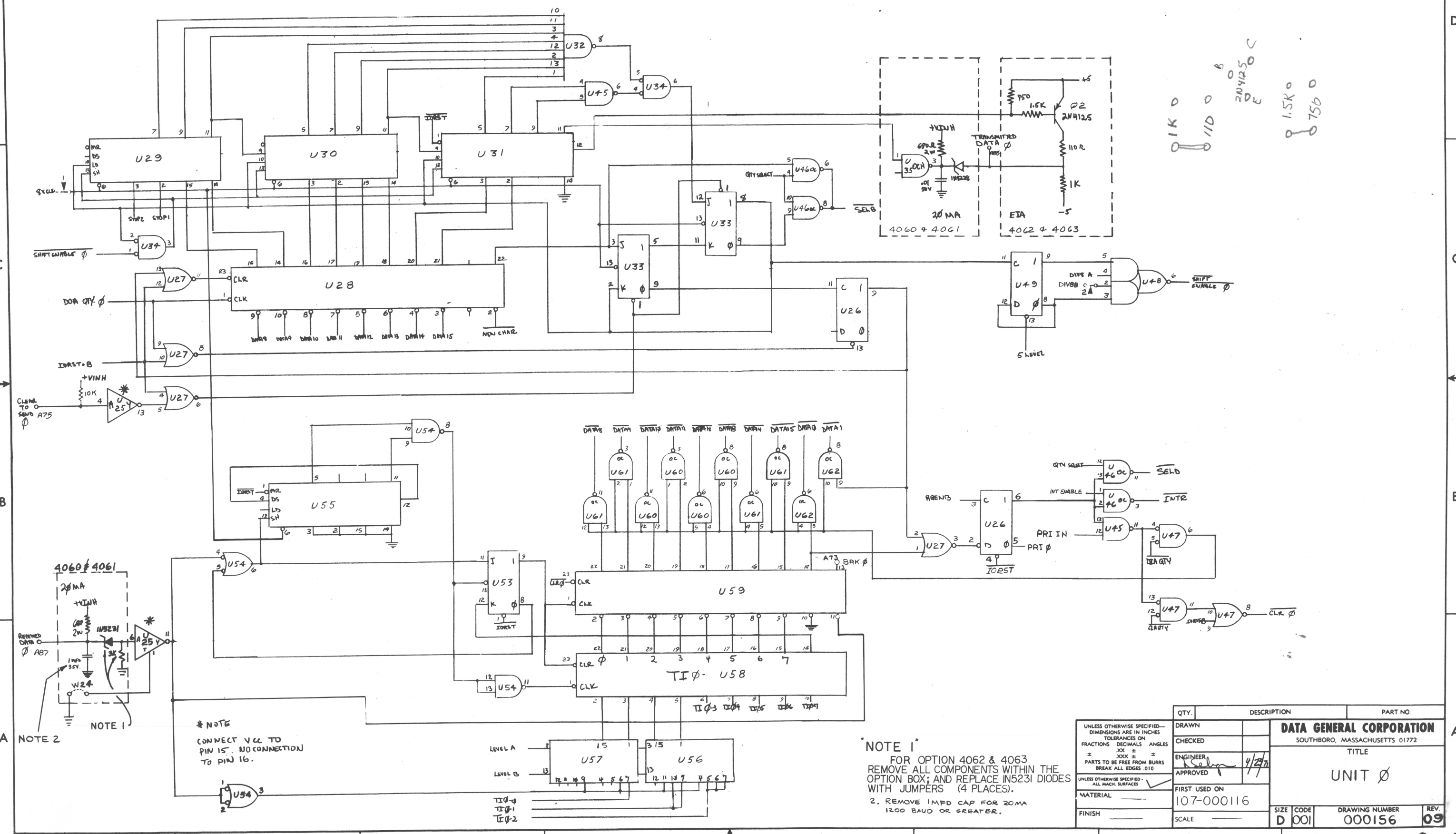
REMOVE W20, W21, W22 & W23 for ones in corresponding address bit

- A 47
 - A 49
 - A 57
 - A 59
 - A 61
 - A 67
 - A 69
 - A 71
 - B 6
 - B 11
 - B 13
 - B 15
 - B 19
 - B 23
 - B 31
 - B 34
 - B 36
 - B 38
 - B 40
 - B 48
 - B 67
 - B 69
- SPARE CONNECTOR PINS

QTY	DESCRIPTION	PART NO
	DATA GENERAL CORPORATION	
	SOUTHBORO, MASSACHUSETTS 01772	
	TITLE	
	QUAD MULTIPLEXER COMMON	
	MATERIAL	
	FINISH	
	FIRST USED ON	
	107-000116	
	SCALE	
	SIZE	
	D. 001	
	DRAWING NUMBER	
	000156	
	REV	
	09	

THIS DRAWING AND SPECIFICATIONS, HEREIN, ARE THE PROPERTY OF DATA GENERAL CORPORATION AND SHALL NOT BE REPRODUCED OR COPIED OR USED IN WHOLE OR IN PART AS THE BASIS FOR MANUFACTURE OR SALE OF ITEMS WITHOUT WRITTEN PERMISSION.

REVISIONS				
REV	DESCRIPTION	DRFTG	APP BY	DATE



Handwritten notes and component values:

- 1K 0
- 110 0
- 20425 0
- 1.5K 0
- 750 0

NOTE 1

* NOTE
CONNECT VCC TO PIN 15. NO CONNECTION TO PIN 16.

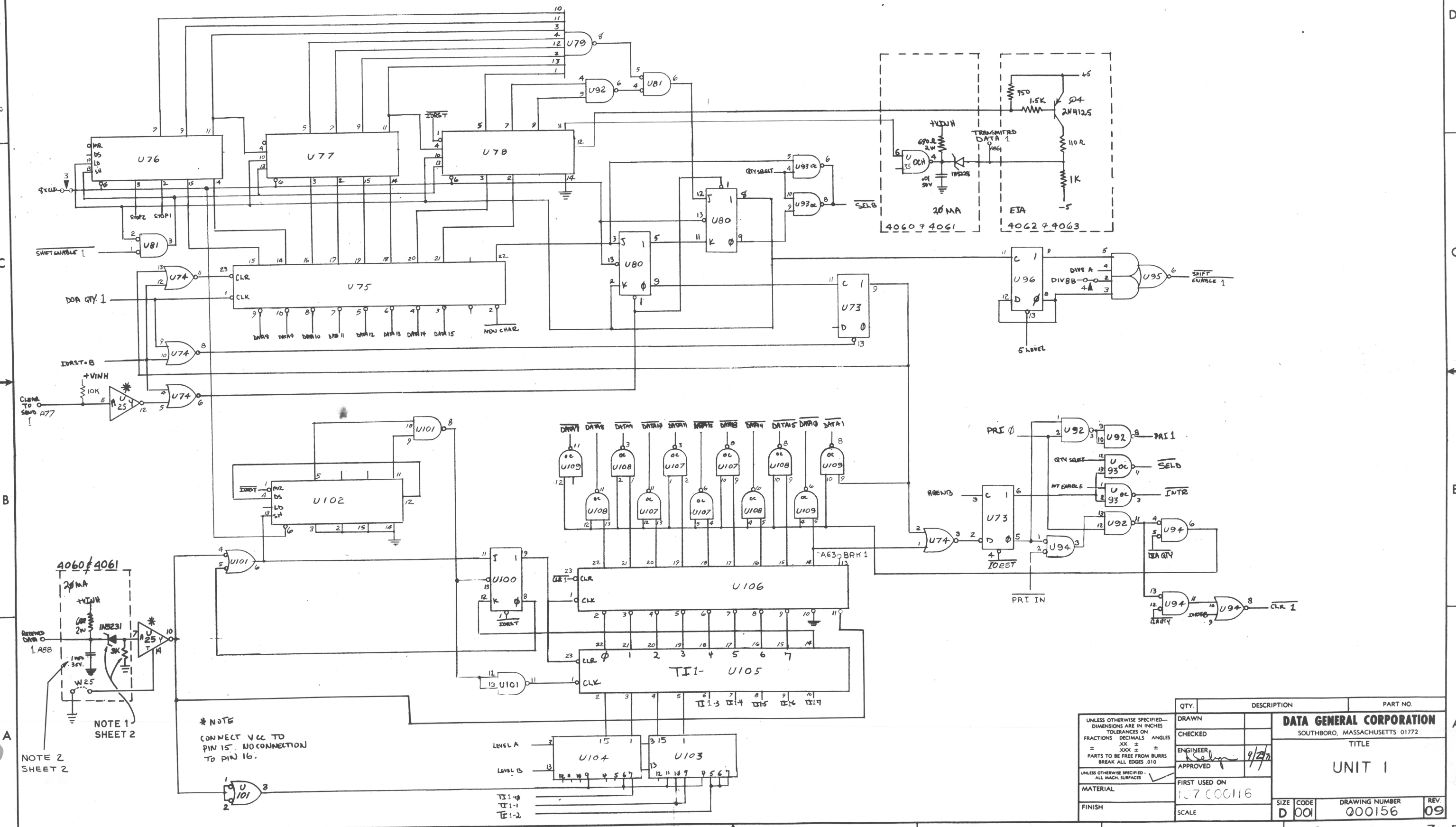
NOTE 1
FOR OPTION 4062 & 4063 REMOVE ALL COMPONENTS WITHIN THE OPTION BOX; AND REPLACE IN5231 DIODES WITH JUMPERS (4 PLACES).
2. REMOVE 1MPD CAP FOR 20MA 1200 BAUD OR GREATER.

QTY.	DESCRIPTION	PART NO.

DRAWN		DATA GENERAL CORPORATION	
CHECKED		SOUTHBORO, MASSACHUSETTS 01772	
ENGINEER		TITLE	
APPROVED		UNIT 0	
FIRST USED ON		DRAWING NUMBER	
107-000116		000156	
MATERIAL		REV.	
FINISH		09	

THIS DRAWING AND SPECIFICATIONS HEREIN, ARE THE PROPERTY OF DATA GENERAL CORPORATION AND SHALL NOT BE REPRODUCED OR COPIED OR USED IN WHOLE OR IN PART AS THE BASIS FOR MANUFACTURE OR SALE OF ITEMS WITHOUT WRITTEN PERMISSION.

REVISIONS			
REV.	DESCRIPTION	DRFTG.	APP. BY DATE



NOTE 1 SHEET 2

NOTE 2 SHEET 2

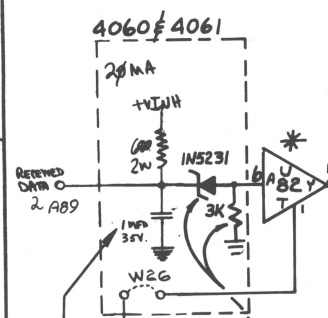
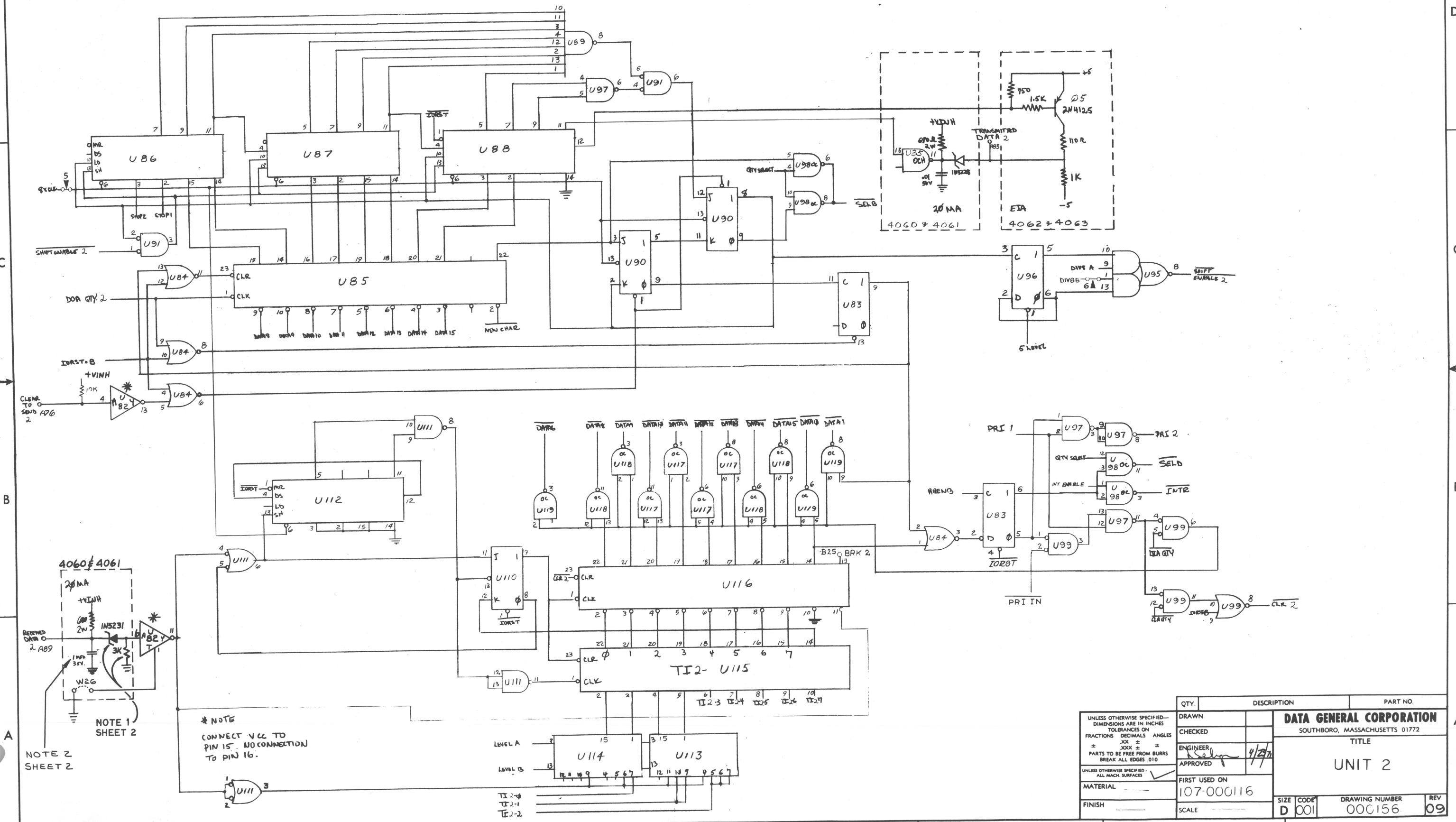
* NOTE
CONNECT VCC TO PIN 15. NO CONNECTION TO PIN 16.

QTY.	DESCRIPTION	PART NO.

DRAWN		DATA GENERAL CORPORATION	
CHECKED		SOUTHBORO, MASSACHUSETTS 01772	
ENGINEER		TITLE	
APPROVED		UNIT 1	
FIRST USED ON		SIZE	DRAWING NUMBER
10700016		D 001	000156
SCALE		REV.	09

THIS DRAWING AND SPECIFICATIONS, HEREIN, ARE THE PROPERTY OF DATA GENERAL CORPORATION AND SHALL NOT BE REPRODUCED OR COPIED OR USED IN WHOLE OR IN PART AS THE BASIS FOR MANUFACTURE OR SALE OF ITEMS WITHOUT WRITTEN PERMISSION.

REVISIONS			
REV.	DESCRIPTION	DRFTG.	APP. BY DATE



NOTE 1 SHEET 2

NOTE 2 SHEET 2

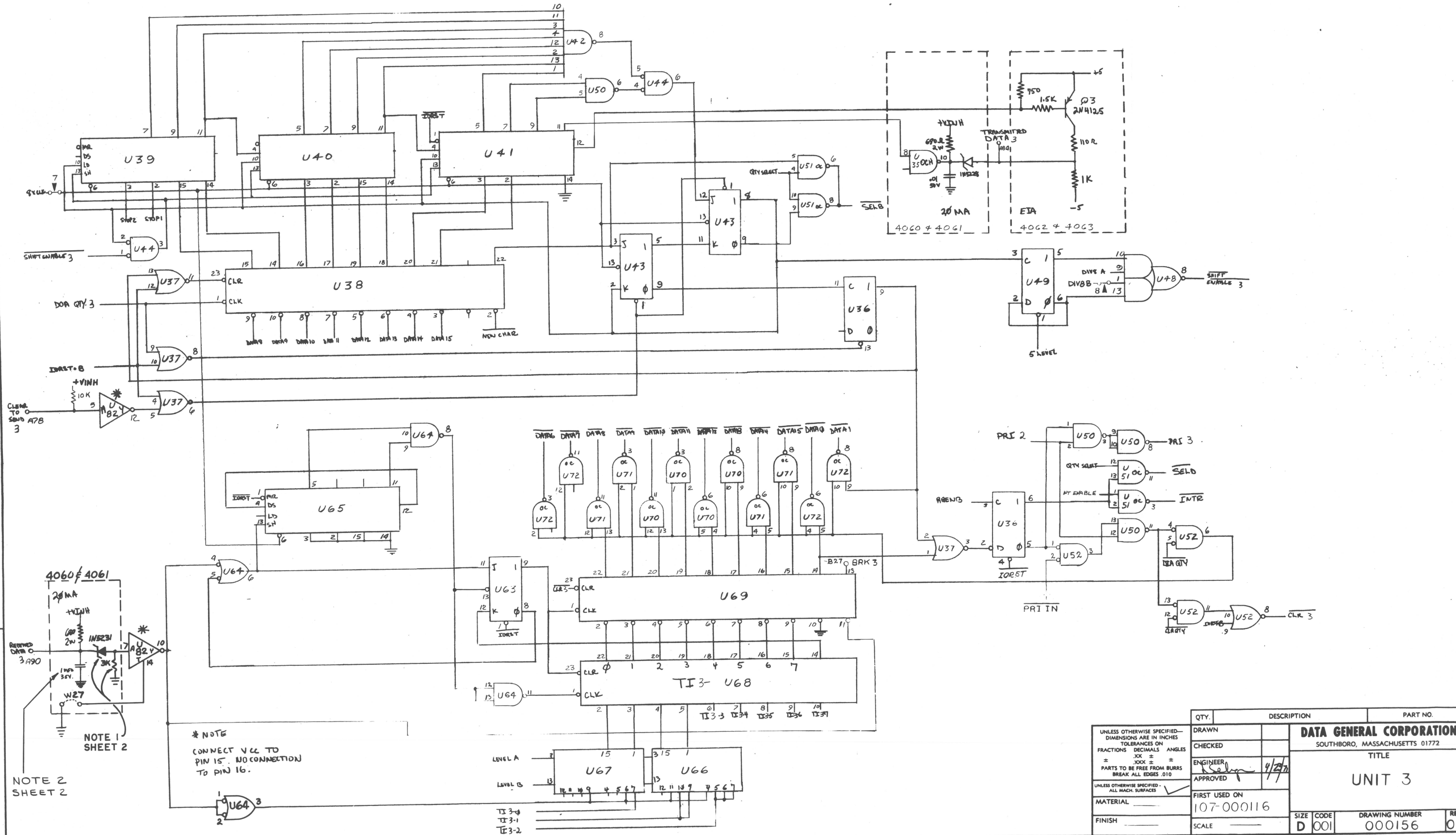
* NOTE
CONNECT Vcc TO
PIN 15. NO CONNECTION
TO PIN 16.

QTY.	DESCRIPTION	PART NO.

DRAWN		DATA GENERAL CORPORATION	
CHECKED		SOUTHBORO, MASSACHUSETTS 01772	
ENGINEER		TITLE	
APPROVED		UNIT 2	
FIRST USED ON		DRAWING NUMBER	
107-000116		00C156	
MATERIAL		SIZE	CODE
FINISH		D	001
SCALE		REV	
		09	

THIS DRAWING AND SPECIFICATIONS HEREIN ARE THE PROPERTY OF DATA GENERAL CORPORATION AND SHALL NOT BE REPRODUCED OR COPIED OR USED IN WHOLE OR IN PART AS THE BASIS FOR MANUFACTURE OR SALE OF ITEMS WITHOUT WRITTEN PERMISSION.

REVISIONS				
REV.	DESCRIPTION	DRFTG.	APP. BY	DATE



NOTE 1 SHEET 2

NOTE 2 SHEET 2

* NOTE
CONNECT VCC TO PIN 15. NO CONNECTION TO PIN 16.

QTY.	DESCRIPTION	PART NO.

DRAWN		DATA GENERAL CORPORATION	
CHECKED		SOUTHBORO, MASSACHUSETTS 01772	
ENGINEER		TITLE	
APPROVED		UNIT 3	
MATERIAL		FIRST USED ON	
FINISH		107-000116	
SIZE	CODE	DRAWING NUMBER	REV.
D	001	000156	09