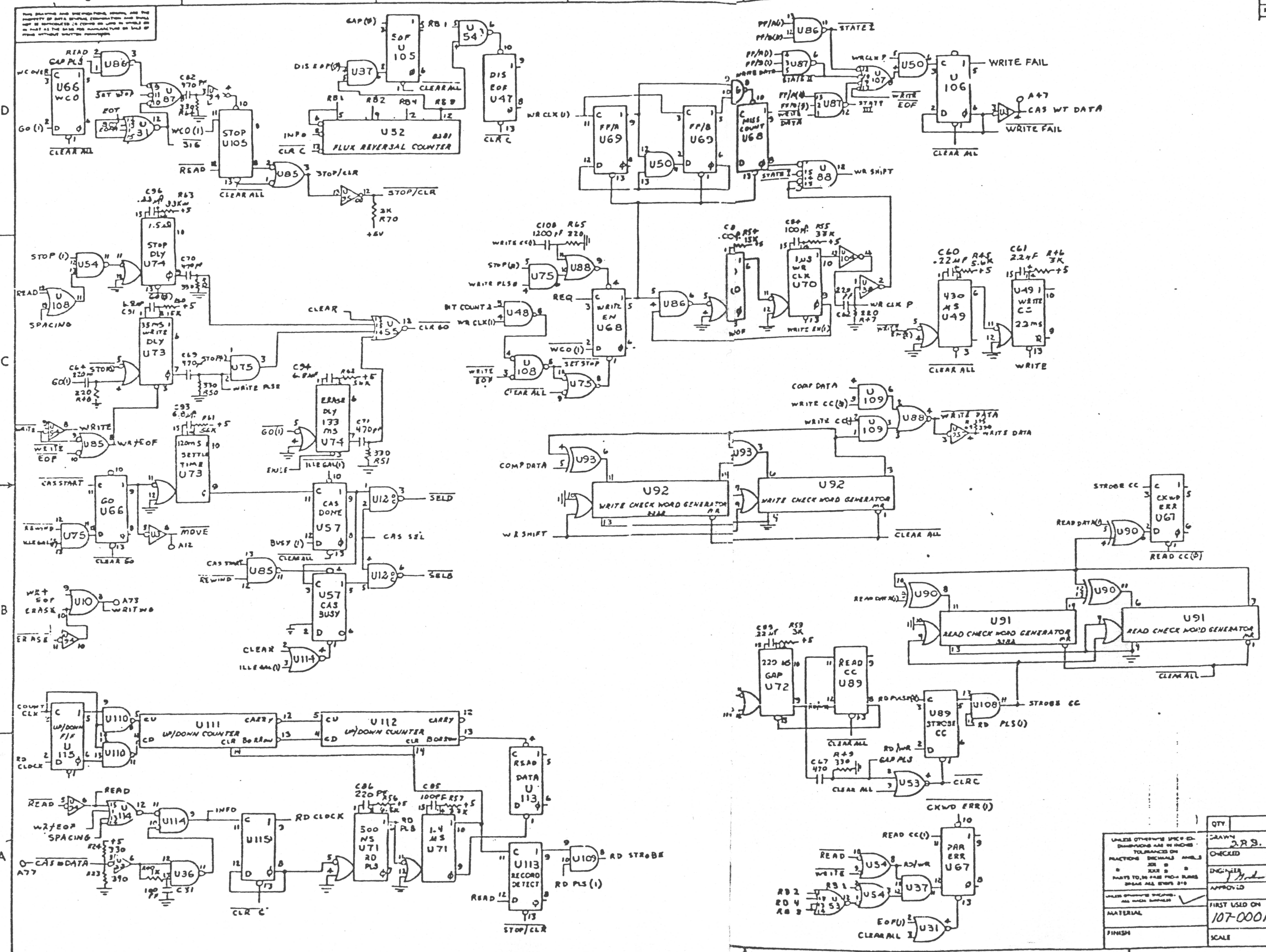
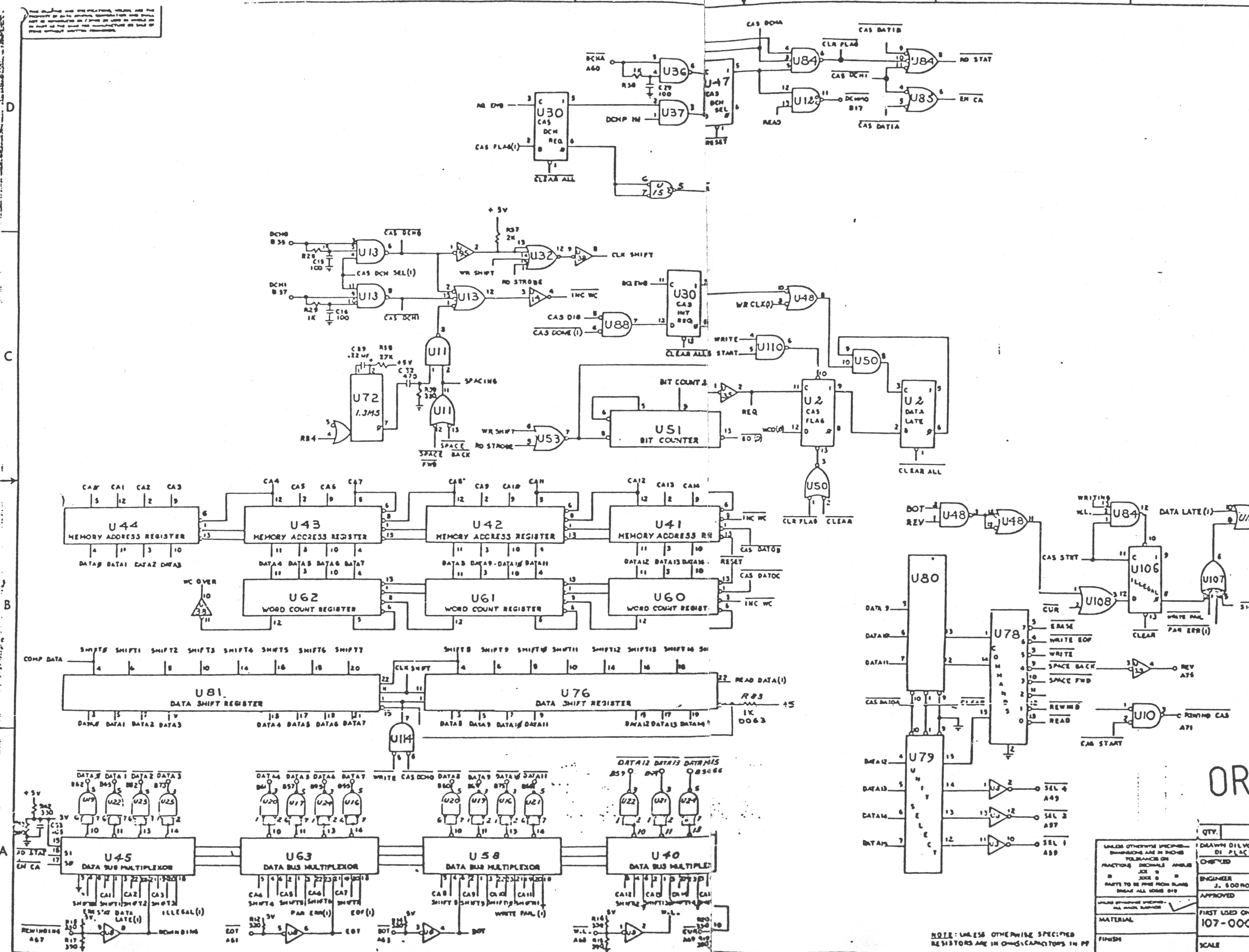


REVISIONS				
REV	DESCRIPTION	DATE	APP BY	DATE



QTY	DESCRIPTION	PART NO.
2 RS	6/72	DATA GENERAL CORPORATION SOUTH BORD, MASSACHUSETTS 01772
TITLE		
CASSETTE		
MOTION, READ, AND WRITE (MODEL NO. 4076)		
DRAWING NUMBER		
107-000151		
SCALE		
1	000	000 262
1	000	000 262

REVISIONS				
REV.	DESCRIPTION	DATE	APP BY	DATE
01	ECO # 1205	J.N.B.		
02	ECO # 1246 / REDRAWN	R.M.C.		
03	ECO # 1282	R.M.C.		
04	ECO # 1330	R.M.C.		
05	ECO # 1403	R.M.C.		
06	ECO # 1433	R.M.C.		
07	ECO # 1419	R.M.C.		
08	ECO # 1463	R.M.C.		
09	ECO # 1501	R.M.C.		
10	ECO # 1044	R.M.C.		
11	ECO # 1837	R.M.C.		
12	ECO # 2317	R.M.C.		
13	ECO # 2419	R.M.C.		
14	ECO # 5409	R.M.C.		
15	ECO # 5480	R.M.C.		
16	ECO # 5483	R.M.C.		



REV	SCHEMATIC REV
1	0, 1, 2, 2A
2	0, 1, 2, 2A
3	3, 4, 5, 6, 7, 8, 9, 10
10	3, 4, 5, 6, 7, 8, 9, 10
13	13, 14
16	13
19	13, 15, 16
20	16

ORIGINAL

QTY.	DESCRIPTION	PART NO.
	DATA GENERAL CORPORATION	
	SOUTH BORD, MASSACHUSETTS 01772	
	TITLE	
	CASSETTE	
	I/O & COMMANDS	
	(MODEL NO. 4076)	
	ENGINEER	
	J. GOODROUT	
	APPROVED	
	FIRST USED ON	4076
	107-000-151	
	SCALE	
	SIZE	D
	CODE	
	DRAWING NUMBER	001-000-252
	REV	16

NOTE: UNLESS OTHERWISE SPECIFIED RESISTORS ARE IN OHMS, CAPACITORS IN PF