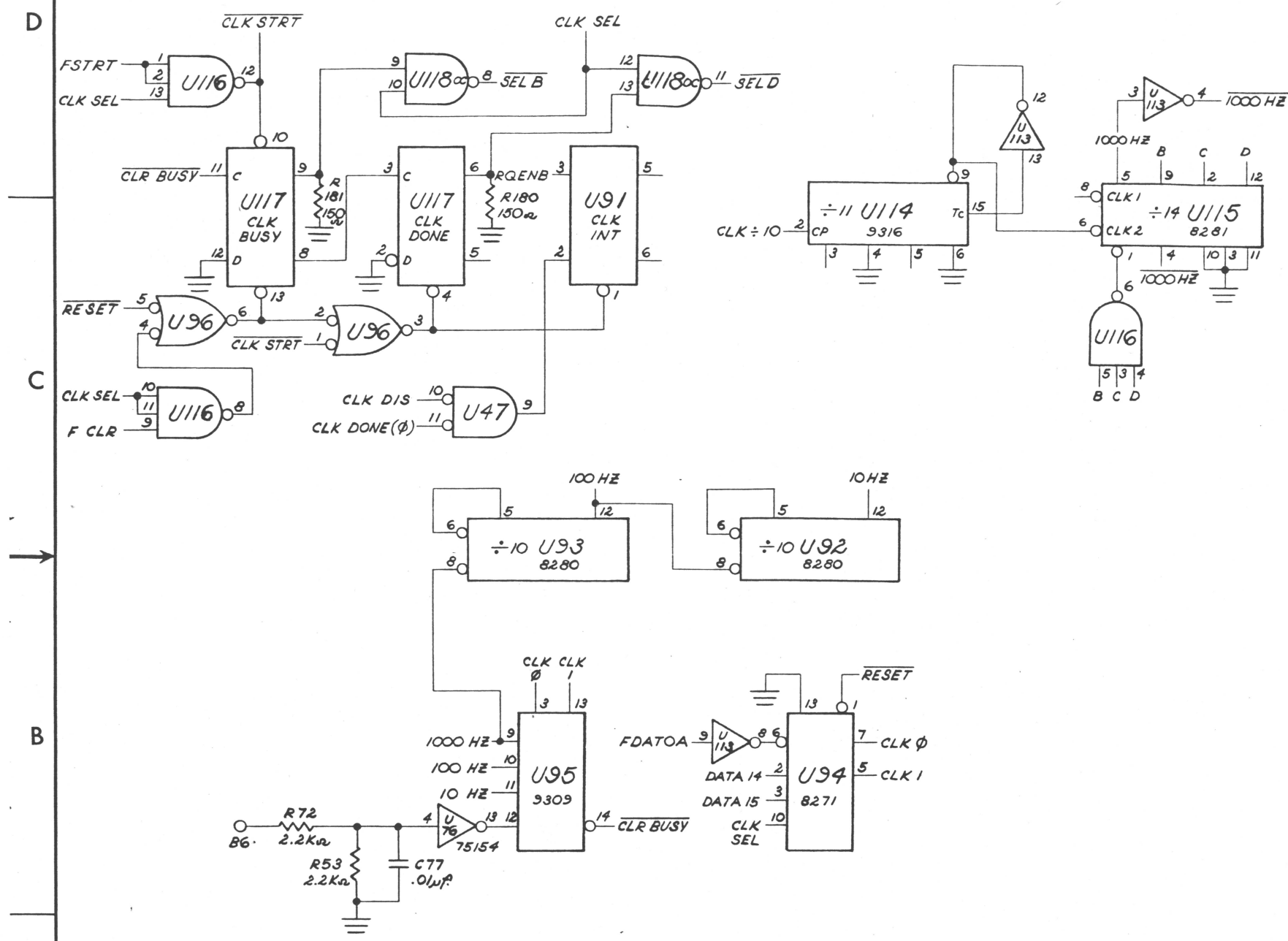


THIS DRAWING AND SPECIFICATIONS, HEREIN, ARE THE PROPERTY OF DATA GENERAL CORPORATION AND SHALL NOT BE REPRODUCED OR COPIED OR USED IN WHOLE OR IN PART AS THE BASIS FOR MANUFACTURE OR SALE OF ITEMS WITHOUT WRITTEN PERMISSION.

REVISIONS				
REV.	DESCRIPTION	DRFTG	APP. BY	DATE
01	ECO# 1371	R.W.C.		2-20-73
02	ECO# 1494	R.W.C.		4-2-73
03	ECO# 1837	R.W.C.		1-21-74
04	ECO# 2419	R.W.C.		4-15-74



ARTWORK: 107 000 151

REV	SCHEMATIC REV(S)
1	0
2	0
5	1, 2
10	1, 2
13	3
16	4

UNLESS OTHERWISE SPECIFIED—
DIMENSIONS ARE IN INCHES
TOLERANCES ON
FRACTIONS DECIMALS ANGLES
XX ± .XXX ±
PARTS TO BE FREE FROM BURRS
BREAK ALL EDGES .010

UNLESS OTHERWISE SPECIFIED—
ALL MACH. SURFACES

MATERIAL

FINISH

QTY.	DESCRIPTION	PART NO.	
DRAWN	R. W. C., Jr. 11-13-72	DATA GENERAL CORPORATION SOUTHBORO, MASSACHUSETTS 01772 TITLE REAL TIME CLOCK OPTION (MODEL NO. 4079)	
CHECKED	R. W. C., Jr. 11-16-72		
ENGINEER			
APPROVED			
FIRST USED ON		SIZE CODE	
SCALE		DRAWING NUMBER	REV.
		C 001	000333 04