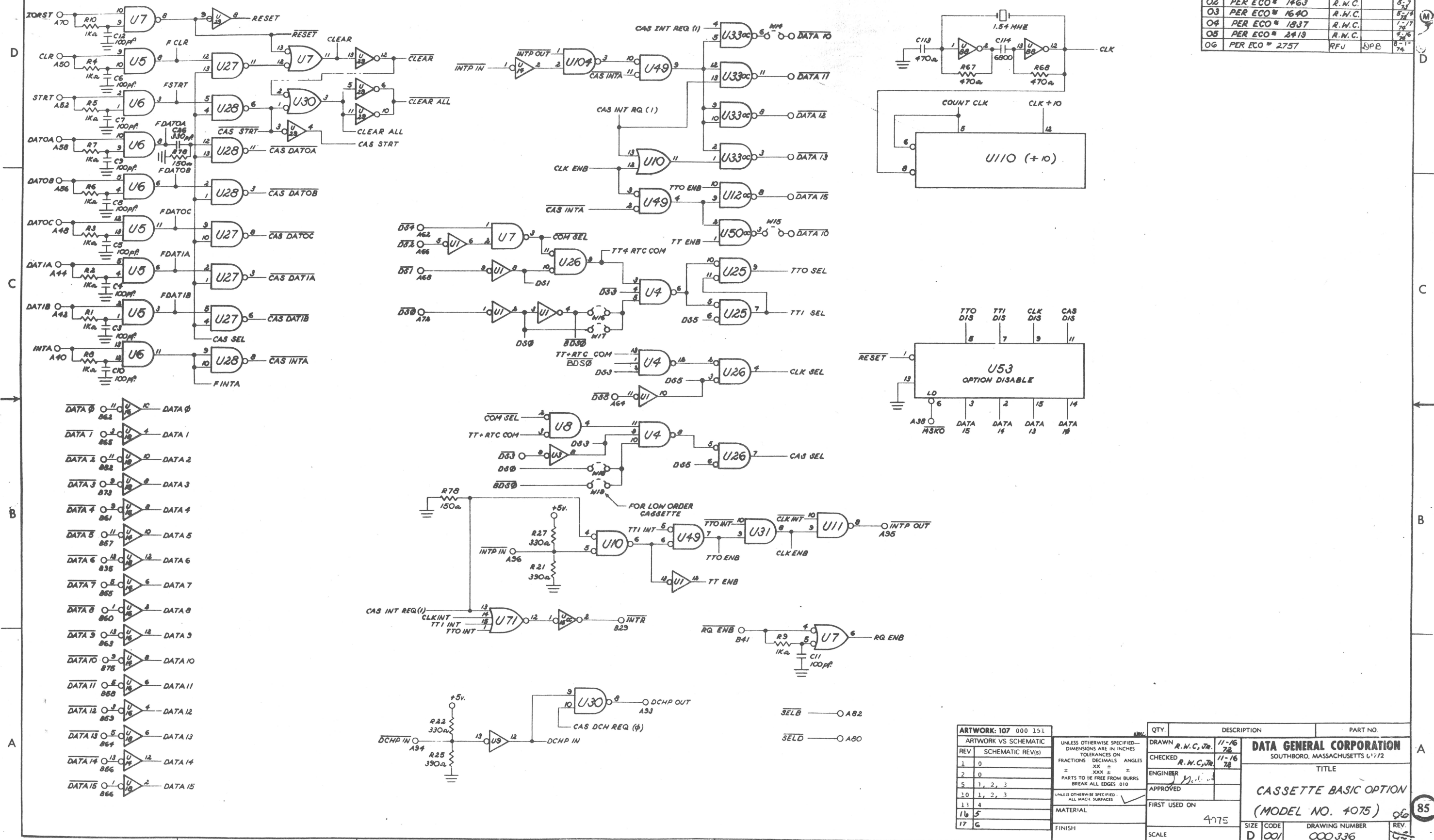


THIS DRAWING AND SPECIFICATIONS, HEREIN, ARE THE PROPERTY OF DATA GENERAL CORPORATION AND SHALL NOT BE REPRODUCED OR COPIED OR USED IN WHOLE OR IN PART AS THE BASIS FOR MANUFACTURE OR SALE OF ITEMS WITHOUT WRITTEN PERMISSION.

REVISIONS				
REV	DESCRIPTION	DRFTG	APP BY	DATE
01	PER ECO # 1282	R.W.C.		12-73
02	PER ECO # 1463	R.W.C.		5-74
03	PER ECO # 1640	R.W.C.		5-74
04	PER ECO # 1837	R.W.C.		7-77
05	PER ECO # 2419	R.W.C.		7-78
06	PER ECO # 2757	RFJ	NPB	8-74



ARTWORK: 107 000 151		QTY.		DESCRIPTION		PART NO.	
ARTWORK VS SCHEMATIC		DRAWN		R.W.C./Jr.		11-76	
SCHEMATIC REV(S)		CHECKED		R.W.C./Jr.		11-76	
1	0	ENGINEER		M.L.			
2	0	APPROVED					
5	1, 2, 3	FIRST USED ON		4775			
10	1, 2, 3	SCALE		D		001	
13	4	MATERIAL					
16	5	FINISH					
17	6						

DATA GENERAL CORPORATION			
SOUTHBORO, MASSACHUSETTS 01772			
TITLE			
CASSETTE BASIC OPTION			
(MODEL NO. 4075)			
SIZE	CODE	DRAWING NUMBER	REV.
D	001	000 336	06