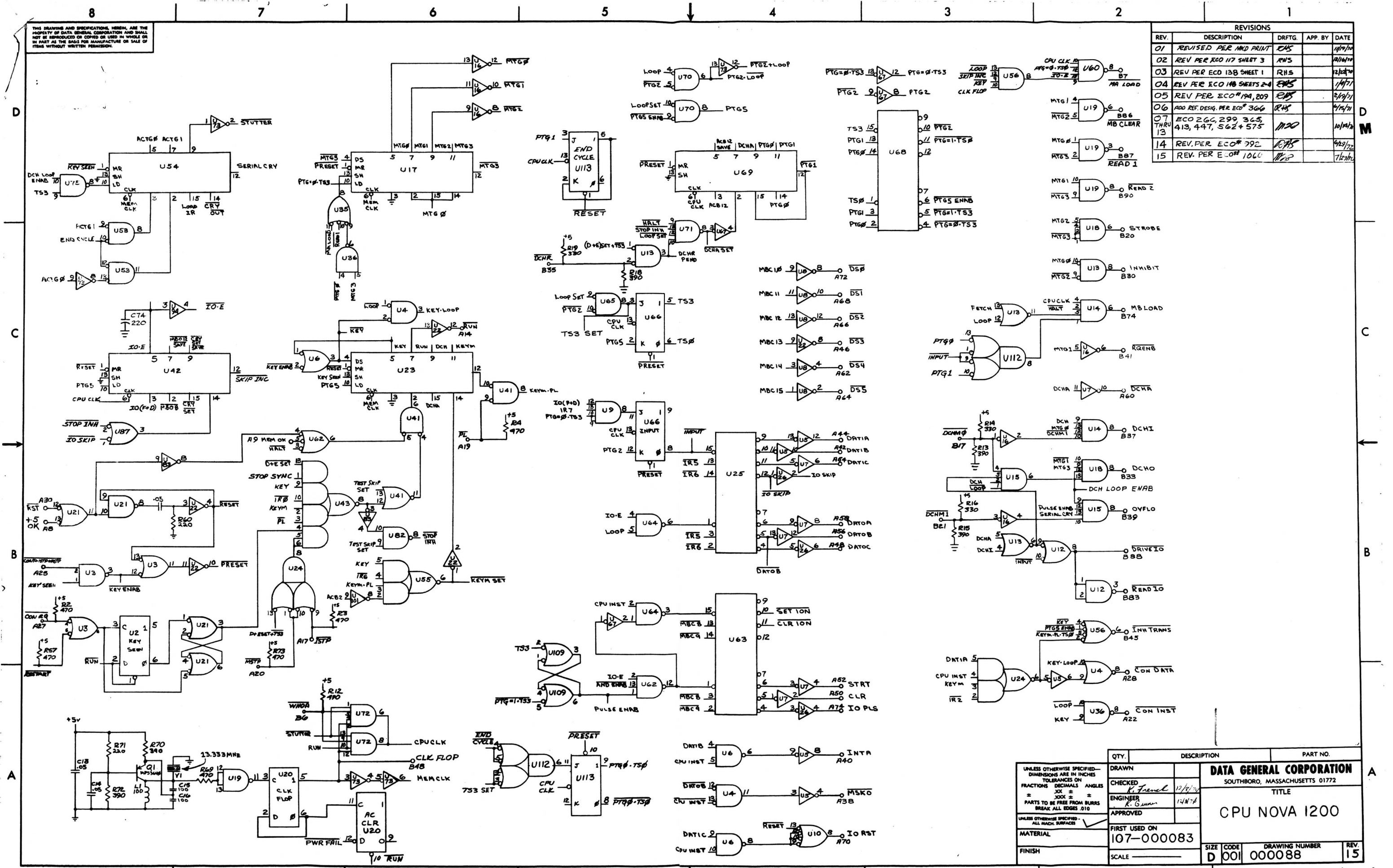


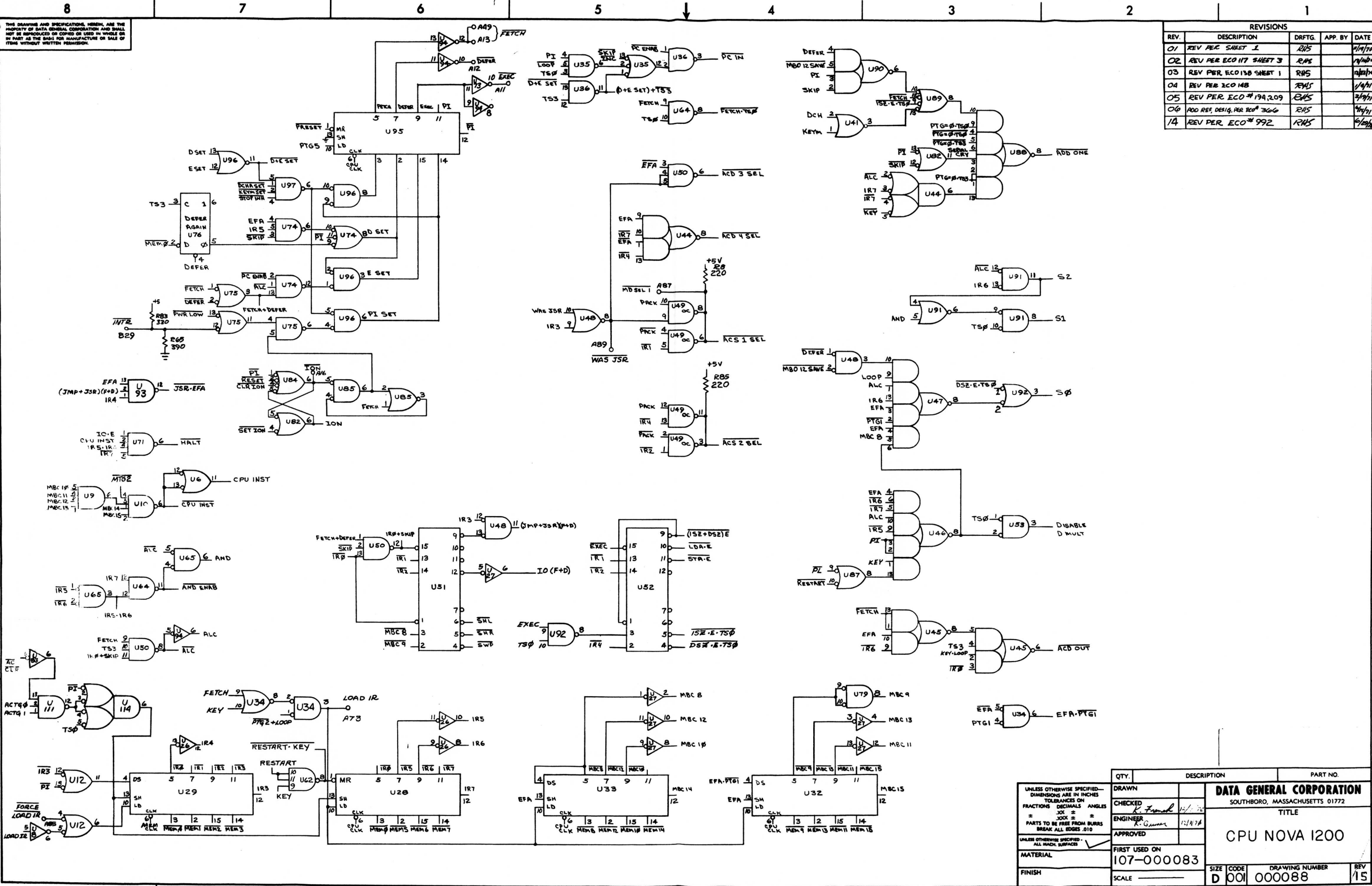
THIS DRAWING AND SPECIFICATIONS, HEREIN, ARE THE PROPERTY OF DATA GENERAL CORPORATION AND SHALL NOT BE REPRODUCED OR COPIED OR USED IN WHOLE OR IN PART AS THE BASIS FOR MANUFACTURE OR SALE OF ITEMS WITHOUT WRITTEN PERMISSION.

REVISIONS				
REV.	DESCRIPTION	DRFTG.	APP. BY	DATE
01	REVISED PER MND PRINT	RHS		11/17/71
02	REV PER ECO 117 SHEET 3	RHS		11/17/71
03	REV PER ECO 138 SHEET 1	RHS		11/17/71
04	REV PER ECO 148 SHEETS 2-4	RHS		11/17/71
05	REV PER ECO #194, 209	RHS		1/19/72
06	ADD REF. DESIG. PER ECO # 366	RHS		4/15/71
07	ECO 266, 299, 365, 413, 447, 562+575	MZO		10/14/71
14	REV. PER ECO # 792	RHS		6/29/72
15	REV. PER ECO # 1060	MZO		7/28/72



QTY.		DESCRIPTION	PART NO.
UNLESS OTHERWISE SPECIFIED - DIMENSIONS ARE IN INCHES TOLERANCES ON FRACTIONS DECIMALS ANGLES	DRAWN		
± .010 ± .005 ± .002	CHECKED	K. French 12/9/71	
± .005 ± .002 ± .001	ENGINEER	K. G. Gorman 1/18/72	
PARTS TO BE FREE FROM BURRS BREAK ALL EDGES .010	APPROVED		
UNLESS OTHERWISE SPECIFIED - ALL MACH. SURFACES	FIRST USED ON	107-000083	
MATERIAL	SCALE		
FINISH	SIZE	CODE	D 001
	DRAWING NUMBER	000088	
	REV.	15	

DATA GENERAL CORPORATION
SOUTHBORO, MASSACHUSETTS 01772
TITLE
CPU NOVA 1200

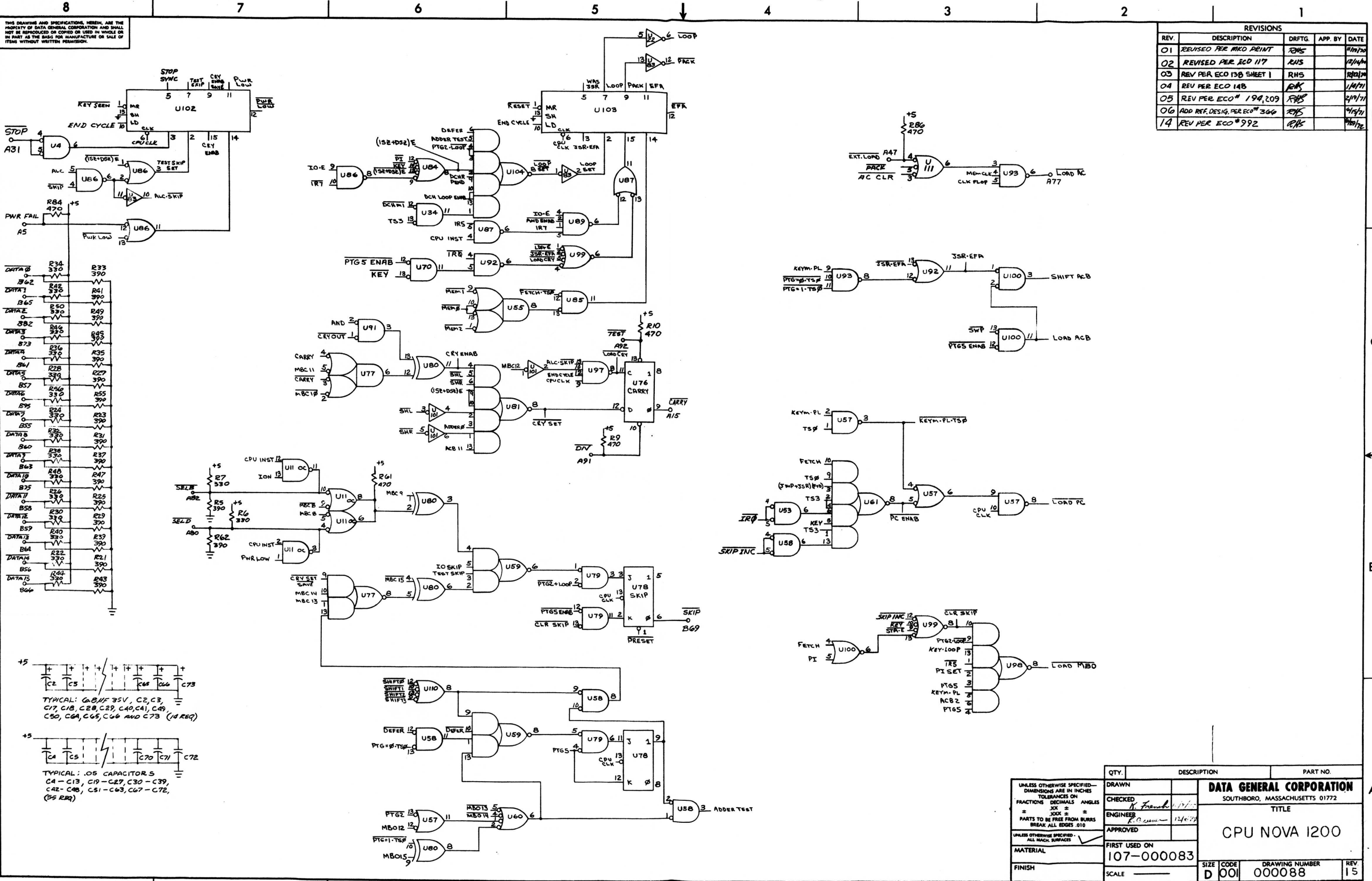


THIS DRAWING AND SPECIFICATIONS, HEREIN, ARE THE PROPERTY OF DATA GENERAL CORPORATION AND SHALL NOT BE REPRODUCED OR COPIED OR USED IN WHOLE OR IN PART AS THE BASIS FOR MANUFACTURE OR SALE OF ITEMS WITHOUT WRITTEN PERMISSION.

REVISIONS				
REV.	DESCRIPTION	DRFTG.	APP. BY	DATE
01	REV PER SHEET 1	RHS		1/19/78
02	REV PER ECO #17 SHEET 3	RHS		1/19/78
03	REV PER ECO #130 SHEET 1	RHS		1/19/78
04	REV PER ECO #148	RHS		1/19/78
05	REV PER ECO #194,209	RHS		7/19/78
06	ADD REF. DESIG. PER ECO #306	RHS		4/19/78
14	REV PER ECO #992	RHS		6/19/78

QTY.	DESCRIPTION	PART NO.
	DRAWN	
	CHECKED	
	ENGINEER	
	APPROVED	
	FIRST USED ON	
	MATERIAL	
	FINISH	

UNLESS OTHERWISE SPECIFIED— DIMENSIONS ARE IN INCHES FRACTIONS DECIMALS ANGLES X.XX ± .005 X.X ± .010 PARTS TO BE FREE FROM BURRS BREAK ALL EDGES .010		UNLESS OTHERWISE SPECIFIED— ALL MACH SURFACES	
DATA GENERAL CORPORATION SOUTHBORO, MASSACHUSETTS 01772		TITLE	
CPU NOVA 1200		DRAWING NUMBER	
107-000083		REV	
SCALE		D 001 000088 15	



REVISIONS				
REV.	DESCRIPTION	DRFTG.	APP. BY	DATE
01	REVISED PER MKD PRINT	RHS		11/1/70
02	REVISED PER ECO 117	RHS		12/14/70
03	REV PER ECO 138 SHEET 1	RHS		12/21/70
04	REV PER ECO 148	RHS		1/14/71
05	REV PER ECO* 194, 209	RHS		2/19/71
06	ADD REF. DESIG. PER ECO* 366	RHS		4/15/71
14	REV PER ECO* 992	RHS		11/10/72

QTY.	DESCRIPTION	PART NO.
DRAWN		
CHECKED <i>K. Frank</i>		
ENGINEER <i>R. C. ...</i>		
APPROVED		
FIRST USED ON		
107-000083		
MATERIAL	SIZE	CODE
FINISH	D	001
DRAWING NUMBER		REV
000088		15

DATA GENERAL CORPORATION
SOUTHBORO, MASSACHUSETTS 01772
TITLE
CPU NOVA 1200

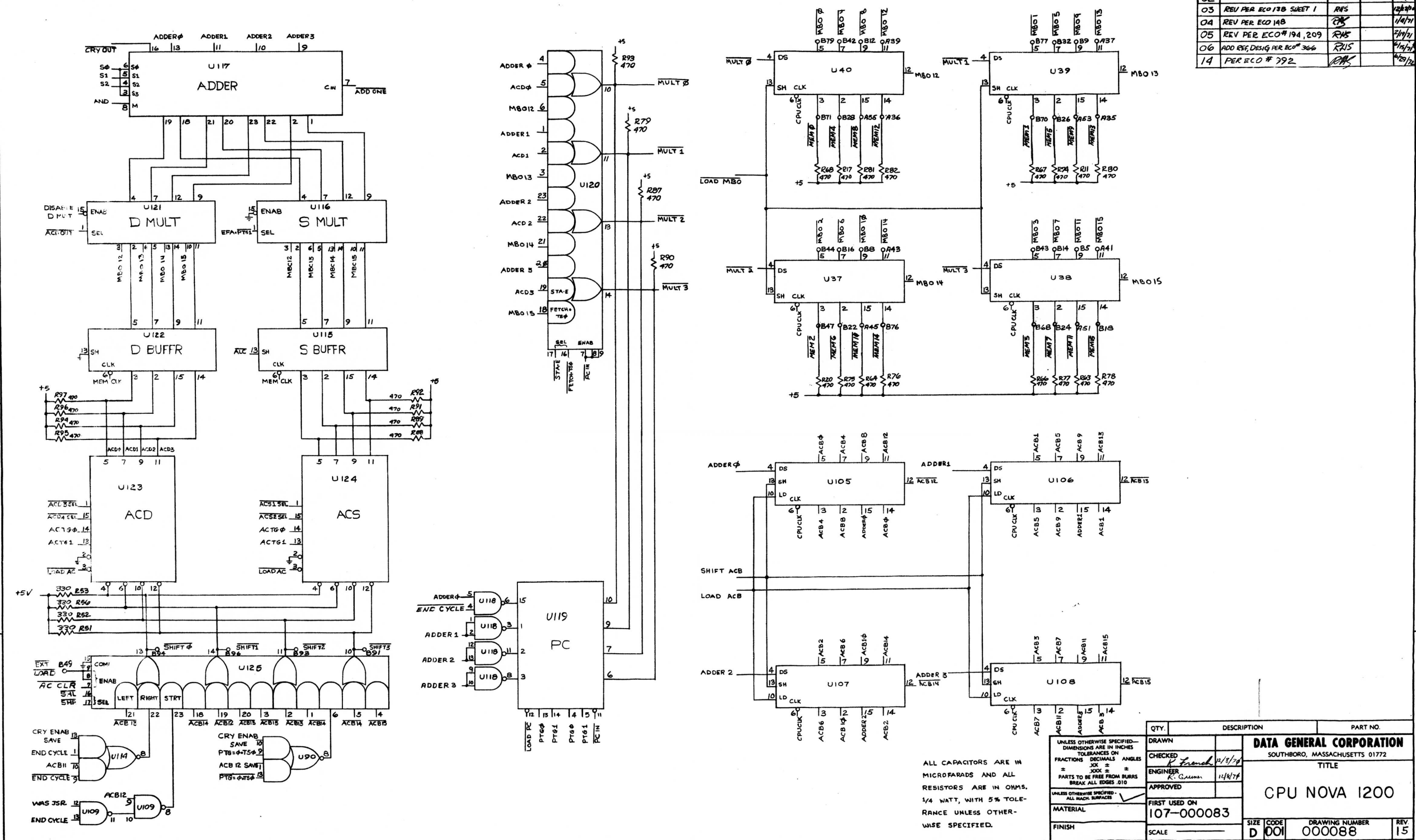
THIS DRAWING AND SPECIFICATIONS HEREIN ARE THE PROPERTY OF DATA GENERAL CORPORATION AND SHALL NOT BE REPRODUCED OR COPIED OR USED IN WHOLE OR IN PART AS THE BASIS FOR MANUFACTURE OR SALE OF ITEMS WITHOUT WRITTEN PERMISSION.

TYPICAL: 0.05 CAPACITORS
C4 - C13, C19 - C27, C30 - C39, C42 - C48, C51 - C63, C67 - C72, (35 REQ)

TYPICAL: 0.01 CAPACITORS
C2, C3, C7, C8, C28, C29, C40, C41, C49, C50, C64, C65, C66 AND C73 (18 REQ)

THIS DRAWING AND SPECIFICATIONS HEREIN ARE THE PROPERTY OF DATA GENERAL CORPORATION AND SHALL NOT BE REPRODUCED OR COPIED OR USED IN WHOLE OR IN PART AS THE BASIS FOR MANUFACTURE OR SALE OF ITEMS WITHOUT WRITTEN PERMISSION.

REVISIONS				
REV.	DESCRIPTION	DRFTG.	APP. BY	DATE
01	REVISED PER MDO PRINT	RHS		11/17/70
02	REV PER ECO #17 SHEET 3	RHS		12/10/70
03	REV PER ECO #18 SHEET 1	RHS		12/24/70
04	REV PER ECO #14B	RHS		1/14/71
05	REV PER ECO #194, 209	RHS		2/19/71
06	ADD EFF. DESIG PER ECO #366	RHS		6/15/71
14	PER ECO #792	RHS		4/29/72



ALL CAPACITORS ARE IN MICROFARADS AND ALL RESISTORS ARE IN OHMS. 1/4 WATT, WITH 5% TOLERANCE UNLESS OTHERWISE SPECIFIED.

UNLESS OTHERWISE SPECIFIED— DIMENSIONS ARE IN INCHES FRACTIONS DECIMALS ANGLES TOLERANCES ON JOCK #	QTY.	DESCRIPTION	PART NO.
PARTS TO BE FREE FROM BURRS BREAK ALL EDGES .010	DRAWN		
UNLESS OTHERWISE SPECIFIED— ALL MACH. SURFACES	CHECKED		
	ENGINEER		
	APPROVED		
	FIRST USED ON		
		107-000083	
	SCALE		

DATA GENERAL CORPORATION			
SOUTHBORO, MASSACHUSETTS 01772			
TITLE			
CPU NOVA 1200			
SIZE	CODE	DRAWING NUMBER	REV.
D	001	000088	15