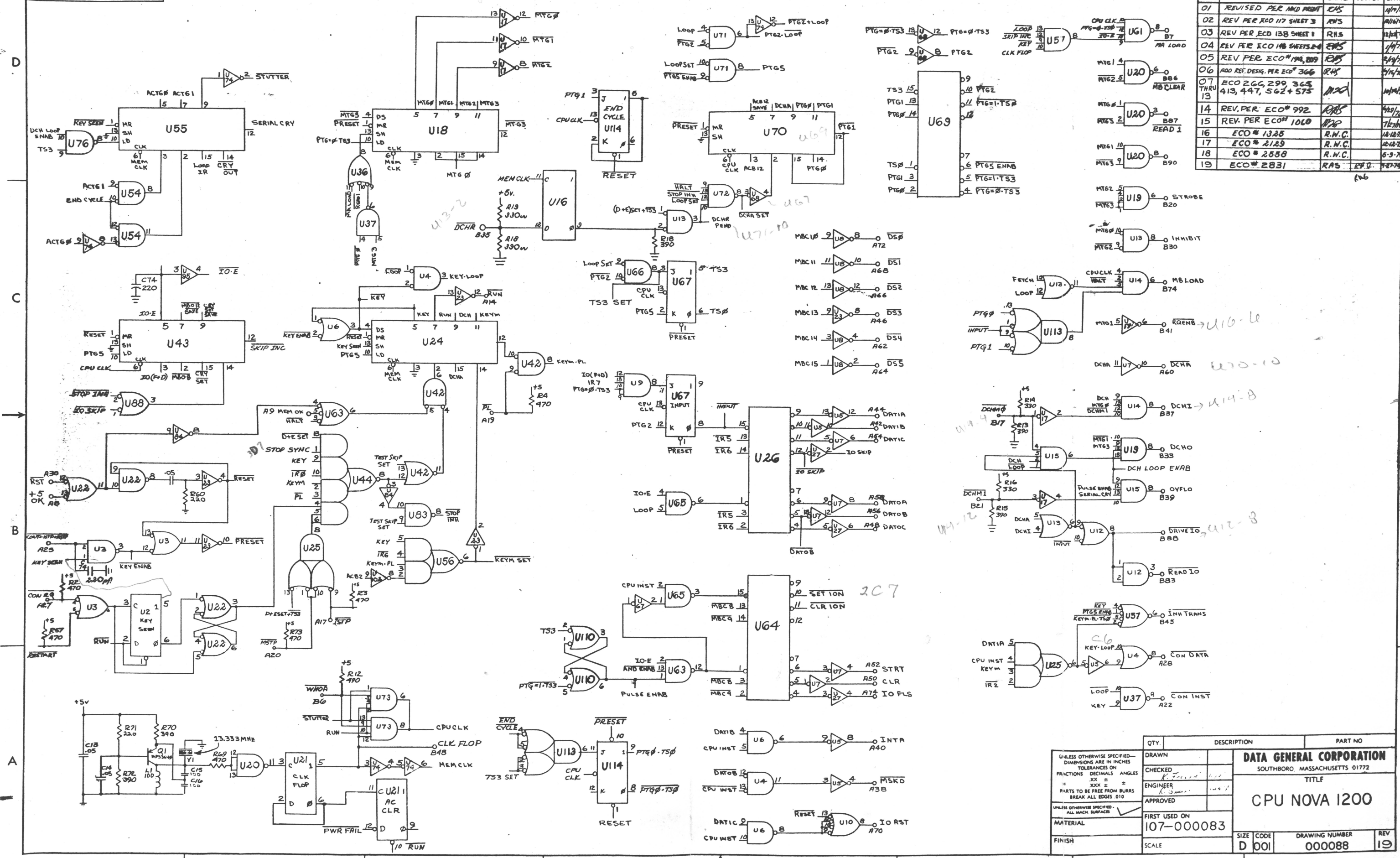


THIS DRAWING AND SPECIFICATIONS, HEREIN, ARE THE PROPERTY OF DATA GENERAL CORPORATION AND SHALL NOT BE REPRODUCED OR COPIED OR USED IN WHOLE OR IN PART AS THE BASIS FOR MANUFACTURE OR SALE OF ITEMS WITHOUT WRITTEN PERMISSION.

| REVISIONS | | | | |
|------------|--|--------|---------|----------|
| REV. | DESCRIPTION | DRFTG. | APP. BY | DATE |
| 01 | REVISED PER MKD PRMT | CHS | | 1/17/70 |
| 02 | REV PER ECO 117 SHEET 3 | RWS | | 1/16/70 |
| 03 | REV PER ECO 138 SHEET 1 | RWS | | 2/24/70 |
| 04 | REV PER ECO 146 SHEETS 2-4 | RWS | | 4/17/71 |
| 05 | REV PER ECO # 194, 209 | RWS | | 4/19/71 |
| 06 | ADD REF. DESIG. PER ECO # 366 | RWS | | 4/14/70 |
| 07 THRU 13 | ECO 266, 299, 365, 413, 447, 562 + 575 | RWS | | 10/14/70 |
| 14 | REV. PER ECO # 992 | RWS | | 4/21/72 |
| 15 | REV. PER ECO # 1060 | RWS | | 7/6/72 |
| 16 | ECO # 1328 | R.W.C. | | 10-10-72 |
| 17 | ECO # 2129 | R.W.C. | | 10-10-72 |
| 18 | ECO # 2558 | R.W.C. | | 8-9-74 |
| 19 | ECO # 2831 | RWS | R.W.C. | 7-27-78 |

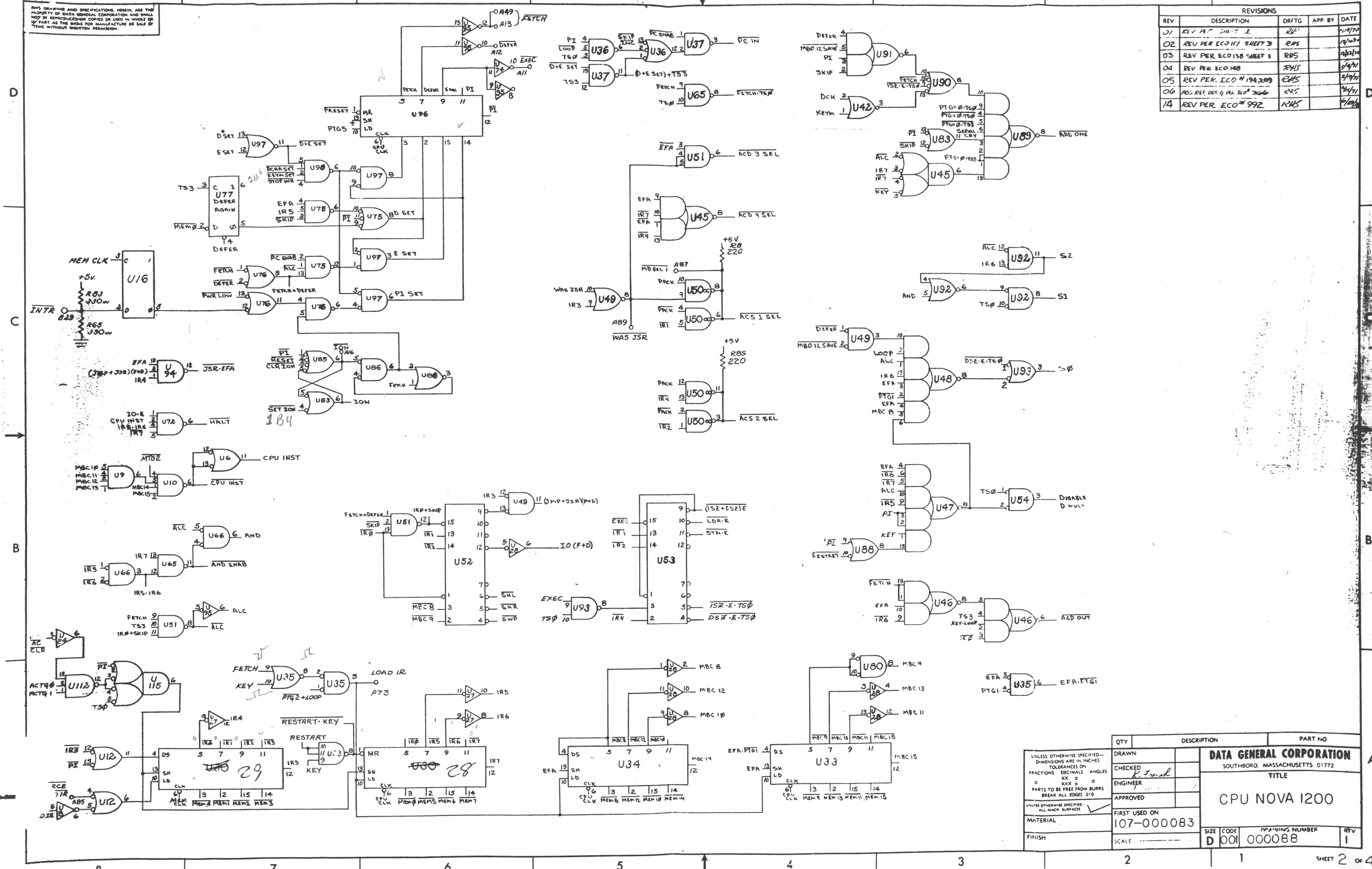


| QTY. | | DESCRIPTION | PART NO. |
|---------------|------------|-------------|----------|
| DRAWN | | | |
| CHECKED | | | |
| ENGINEER | | | |
| APPROVED | | | |
| FIRST USED ON | 107-000083 | | |
| MATERIAL | | | |
| FINISH | | | |

| DATA GENERAL CORPORATION | | | |
|--------------------------------|------|----------------|-----|
| SOUTHBORO, MASSACHUSETTS 01772 | | | |
| TITLE | | | |
| CPU NOVA 1200 | | | |
| SIZE | CODE | DRAWING NUMBER | REV |
| D | 001 | 000088 | 19 |

THIS DRAWING AND SPECIFICATIONS HEREIN ARE THE PROPERTY OF DATA GENERAL CORPORATION AND SHALL NOT BE REPRODUCED OR COPIED OR USED IN WHOLE OR IN PART AS THE BASIS FOR MANUFACTURE OR SALE OF ITEMS WITHOUT WRITTEN PERMISSION.

| REVISIONS | | | | |
|-----------|-----------------------------|-------|--------|---------|
| REV | DESCRIPTION | DRFTG | APP BY | DATE |
| 01 | REV PER ECO #11 SHEET 1 | RHS | | 1/11/70 |
| 02 | REV PER ECO #11 SHEET 3 | RHS | | 1/11/70 |
| 03 | REV PER ECO #15B SHEET 1 | RHS | | 1/11/70 |
| 04 | REV PER ECO #14B | RHS | | 1/11/70 |
| 05 | REV PER ECO #19A, 20B | RHS | | 1/11/70 |
| 06 | REV PER DES G M L E C # 366 | RHS | | 1/11/70 |
| 14 | REV PER ECO #992 | RHS | | 1/11/70 |



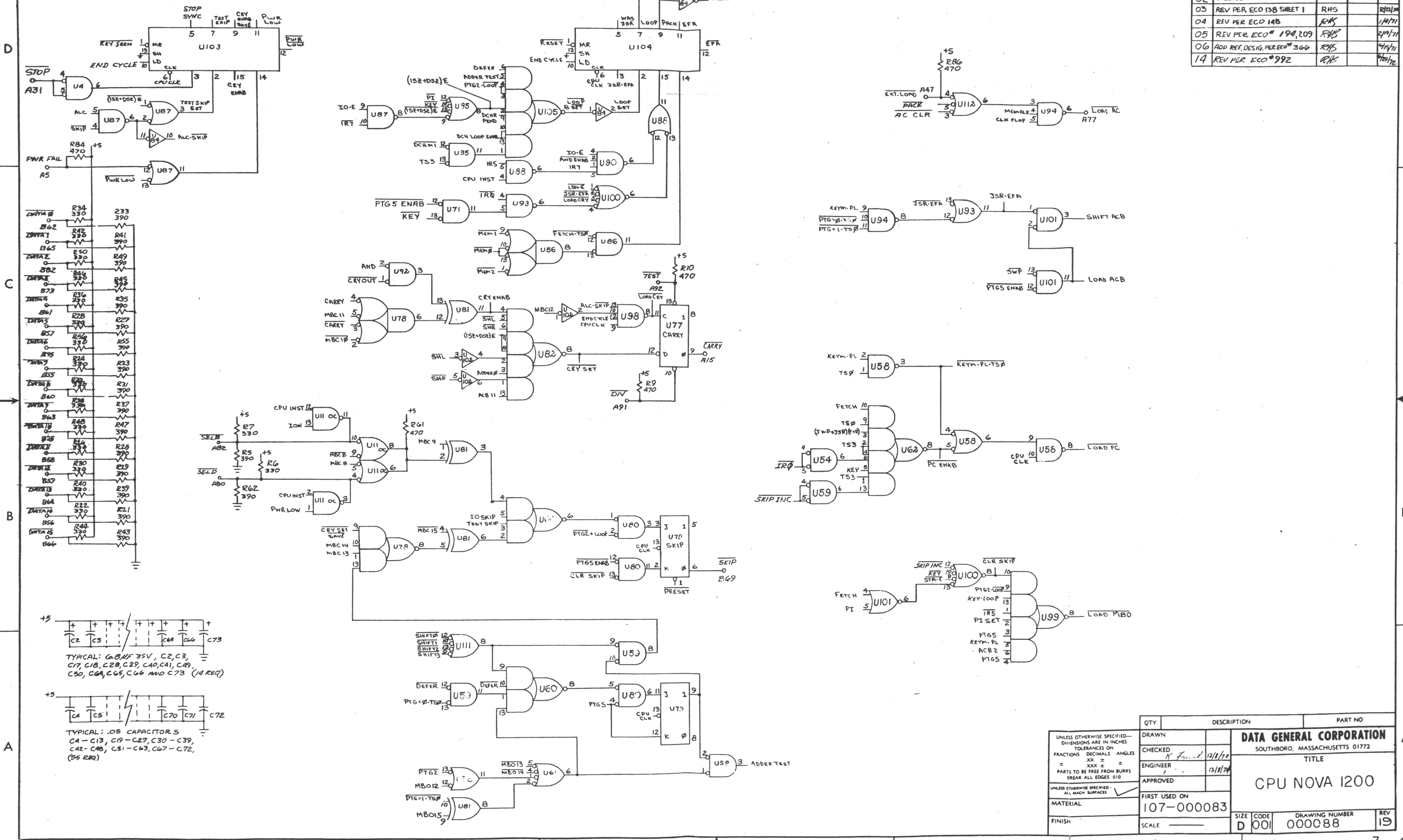
| QTY | DESCRIPTION | PART NO |
|-----|----------------|---------|
| | DRAWN | |
| | CHECKED | |
| | ENGINEER | |
| | APPROVED | |
| | FIRST USED ON | |
| | 107-000083 | |
| | MATERIAL | |
| | FINISH | |
| | SCALE | |
| | SIZE CODE | |
| | D 001 | |
| | DRAWING NUMBER | |
| | 000088 | |
| | REV | |
| | 1 | |

DATA GENERAL CORPORATION
SOUTHBORO, MASSACHUSETTS 01772

TITLE
CPU NOVA 1200

THIS DRAWING AND SPECIFICATIONS HEREIN ARE THE PROPERTY OF DATA GENERAL CORPORATION AND SHALL NOT BE REPRODUCED OR COPIED OR USED IN WHOLE OR IN PART AS THE BASIS FOR MANUFACTURE OR SALE OF ITEMS WITHOUT WRITTEN PERMISSION.

| REVISIONS | | | | |
|-----------|------------------------------|--------|--------|----------|
| REV. | DESCRIPTION | DRFTG. | APP BY | DATE |
| 01 | REVISED PER MKG PRINT | RHS | | 11/1/70 |
| 02 | REVISED PER ECO #117 | RHS | | 12/4/70 |
| 03 | REV PER ECO #138 SHEET 1 | RHS | | 12/22/70 |
| 04 | REV PER ECO #148 | RHS | | 1/11/71 |
| 05 | REV PER ECO #194,209 | RHS | | 2/11/71 |
| 06 | ADD REF. DESIG. PER ECO #366 | RHS | | 4/13/71 |
| 14 | REV PER ECO #992 | RHS | | 7/15/72 |



TYPICAL: 0.01UF 35V, C2, C3, C7, C13, C28, C29, C40, C41, C49, C50, C64, C65, C66 AND C73 (14 REQ)

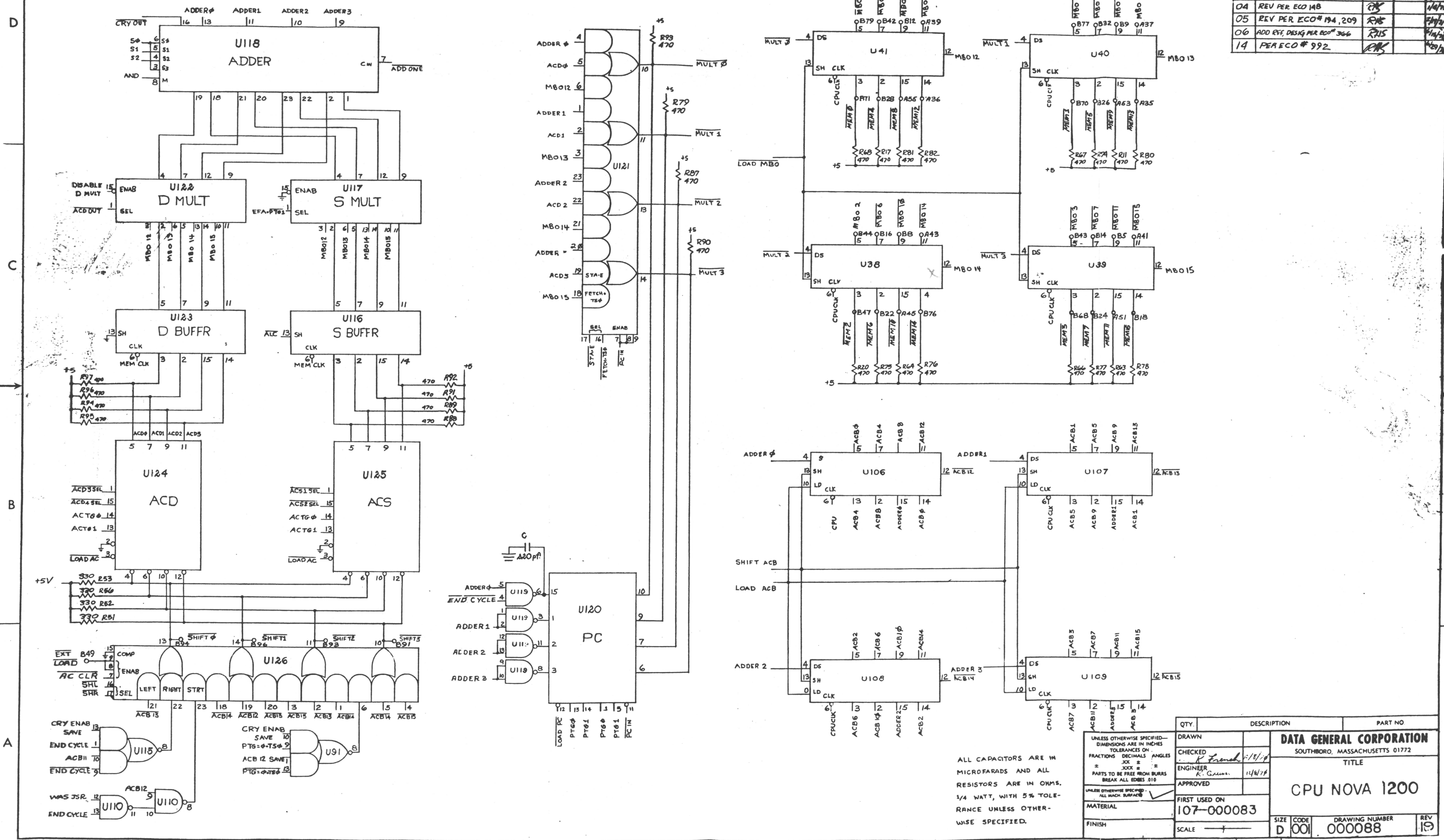
TYPICAL: .05 CAPACITORS C4 - C13, C19 - C27, C30 - C39, C42 - C48, C51 - C63, C67 - C72, (35 REQ)

| QTY. | DESCRIPTION | PART NO |
|------|---------------|---------|
| | DRAWN | |
| | CHECKED | |
| | ENGINEER | |
| | APPROVED | |
| | FIRST USED ON | |
| | MATERIAL | |
| | FINISH | |

| | | | |
|---|--|--|--|
| UNLESS OTHERWISE SPECIFIED—DIMENSIONS ARE IN INCHES TOLERANCES ON FRACTIONS DECIMALS ANGLES XXX ± | | UNLESS OTHERWISE SPECIFIED—ALL MACH SURFACES | |
| DRAWN | | DATA GENERAL CORPORATION | |
| CHECKED | | SOUTHBORO, MASSACHUSETTS 01772 | |
| ENGINEER | | TITLE | |
| APPROVED | | CPU NOVA 1200 | |
| FIRST USED ON | | DRAWING NUMBER | |
| 107-000083 | | 000088 | |
| MATERIAL | | REV | |
| FINISH | | 19 | |

THIS DRAWING AND SPECIFICATIONS, HEREIN, ARE THE PROPERTY OF DATA GENERAL CORPORATION AND SHALL NOT BE REPRODUCED OR COPIED OR USED IN WHOLE OR IN PART AS THE BASIS FOR MANUFACTURE OR SALE OF ITEMS WITHOUT WRITTEN PERMISSION.

| REVISIONS | | | | |
|-----------|-----------------------------|-------|---------|----------|
| REV. | DESCRIPTION | DRFTG | APP. BY | DATE |
| 01 | REVISED PER MKD PRINT | RMS | | 11/10/70 |
| 02 | REV PER ECO 117 SHEET 3 | RMS | | 11/10/70 |
| 03 | REV PER ECO 128 SHEET 1 | RMS | | 11/10/70 |
| 04 | REV PER ECO 148 | RMS | | 11/10/70 |
| 05 | REV PER ECO# 194, 209 | RMS | | 11/10/70 |
| 06 | ADD REF. DESIG PER ECO# 366 | RMS | | 11/10/70 |
| 14 | PER ECO# 992 | RMS | | 12/10/70 |



ALL CAPACITORS ARE IN MICROFARADS AND ALL RESISTORS ARE IN OHMS. 1/4 WATT, WITH 5% TOLERANCE UNLESS OTHERWISE SPECIFIED.

UNLESS OTHERWISE SPECIFIED—DIMENSIONS ARE IN INCHES—FRACTIONS DECIMALS ANGLES
 CHECKED: *R. French* 4/13/70
 ENGINEER: *R. Gannon* 11/10/70
 APPROVED: _____
 FIRST USED ON: 107-000083
 MATERIAL: _____
 FINISH: _____

| QTY. | DESCRIPTION | PART NO. |
|------|---------------------------------|----------|
| | DATA GENERAL CORPORATION | |
| | SOUTHBORO, MASSACHUSETTS 01772 | |
| | TITLE | |
| | CPU NOVA 1200 | |
| | SIZE CODE | D 001 |
| | DRAWING NUMBER | 000088 |
| | REV | 15 |