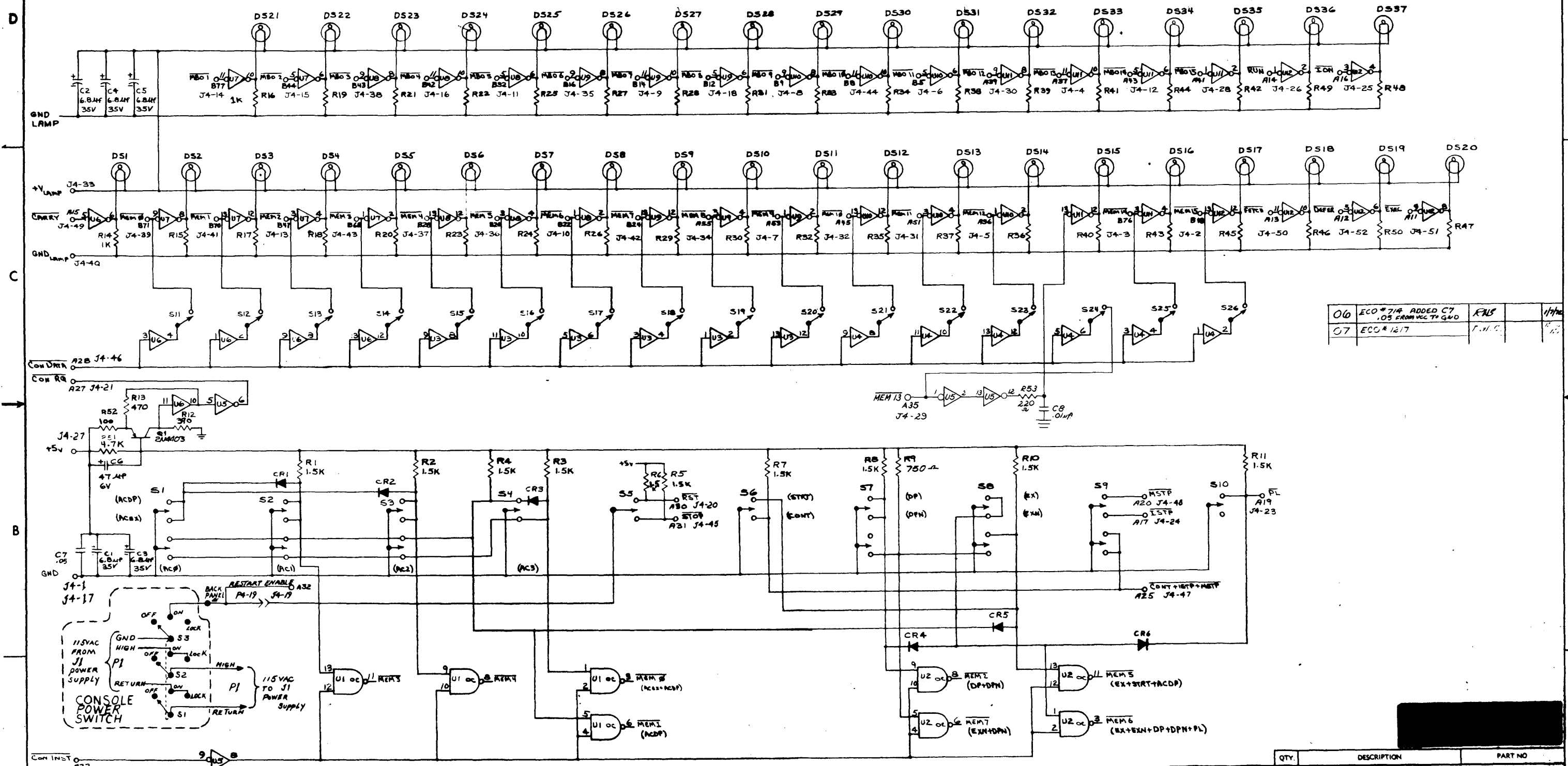


THIS DRAWING AND SPECIFICATIONS HEREIN ARE THE PROPERTY OF DATA GENERAL CORPORATION AND SHALL NOT BE REPRODUCED OR COPIED OR USED IN WHOLE OR IN PART AS THE BASIS FOR MANUFACTURE OR SALE OF ITEMS WITHOUT WRITTEN PERMISSION.

REVISIONS				
REV	DESCRIPTION	DRFTG	APP BY	DATE
02	ECO # 118	RJS	RJS	12-10-70
03	ECO # 261	RJS	RJS	5-10-71
04	Q1 TO 2UM03 / ECO # 250	RJS	RJS	7/24/71
05	ECO # 407	W.J.G.	W.J.G.	8/5/71

SEE BELOW



06	ECO # 714 ADDED C7 .05 FROM VCC TO GND	RJS	1/14/72
07	ECO # 1217	W.J.G.	1/12/72

QTY.	DESCRIPTION	PART NO
	UNLESS OTHERWISE SPECIFIED—DIMENSIONS ARE IN INCHES TOLERANCES ON FRACTIONS DECIMALS ANGLES	
	UNLESS OTHERWISE SPECIFIED—ALL MACH SURFACES	
	MATERIAL	
	FINISH	
	SCALE	
	DRAWN BY <i>L. G. G...</i> 10-9-70	
	CHECKED BY <i>W. J. G...</i> 1/14/72	
	ENGINEER <i>L. G. G...</i> 1/14/72	
	APPROVED	
	FIRST USED ON 077	
	107-000/133	
	SIZE CODE D 001	
	DRAWING NUMBER 000089	
	REV 07	

DATA GENERAL CORPORATION  
SOUTHBORO, MASSACHUSETTS 01772

TITLE  
NOVA 800/1200  
CONSOLE