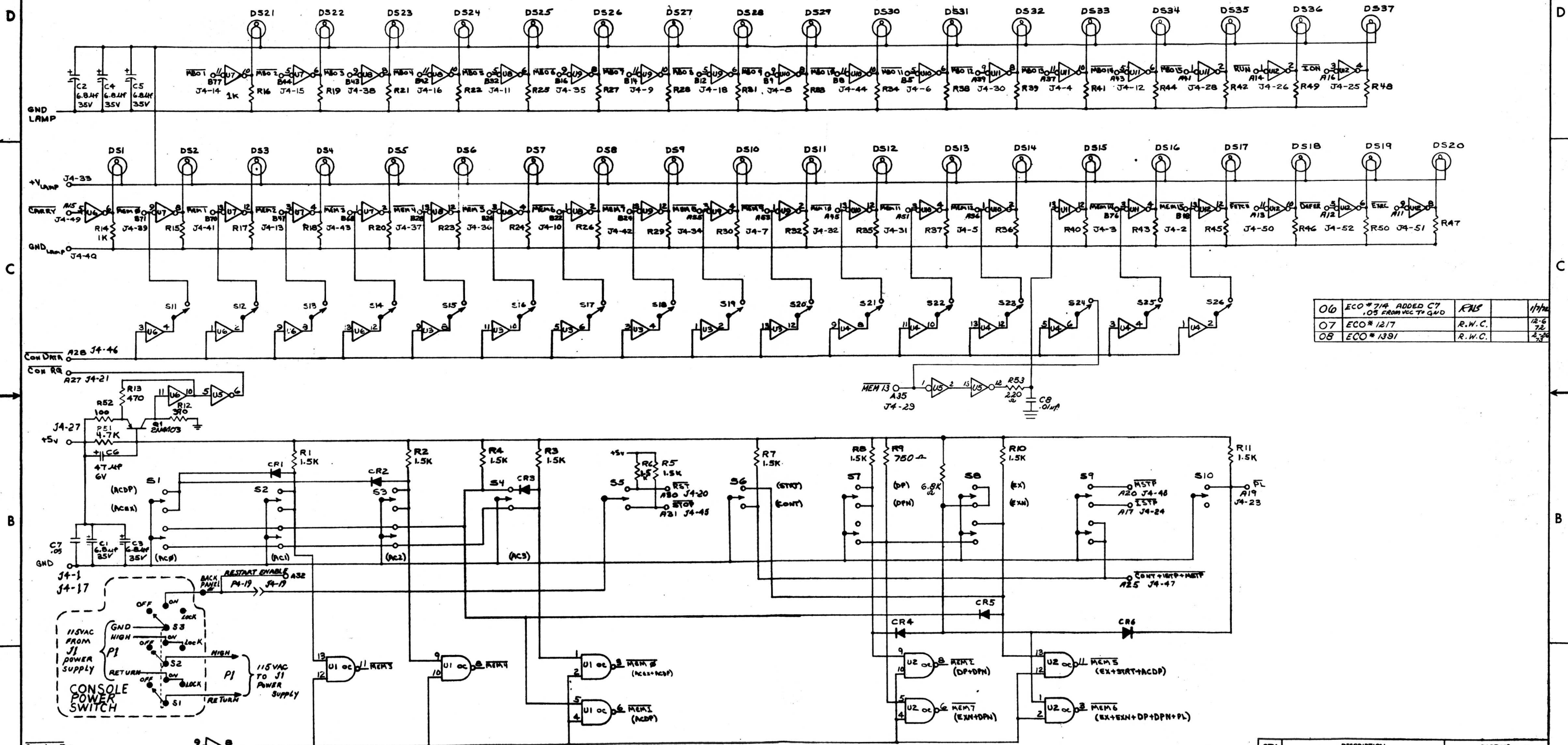


THIS DRAWING AND SPECIFICATIONS HEREIN ARE THE PROPERTY OF DATA GENERAL CORPORATION AND SHALL NOT BE REPRODUCED OR COPIED OR USED IN WHOLE OR IN PART AS THE BASIS FOR MANUFACTURE OR SALE OF ITEMS WITHOUT WRITTEN PERMISSION.

REVISIONS				
REV	DESCRIPTION	DRFTG.	APP. BY	DATE
02	ECO # 118	W.J.G.	W.J.G.	12-10-70
03	ECO # 261	RHS		5-10-71
04	Q1 TO 2UM03 / ECO # 250	RHS		6/20/71
05	ECO # 407	W.J.G.		8/5/71

SEE BELOW



06	ECO # 714 ADDED C7, 05 FROM VCC TO GND	RHS		1/7/72
07	ECO # 1217	R.W.C.		12-6-72
08	ECO # 1391	R.W.C.		2-2-73

QTY.	DESCRIPTION	PART NO.

<small>UNLESS OTHERWISE SPECIFIED— DIMENSIONS ARE IN INCHES TOLERANCES ON FRACTIONS DECIMALS ANGLES DIP ** PARTS TO BE FREE FROM BURRS BREAK ALL EDGES .010</small>	<small>DRAWN</small> L. G. Gamm 10-9-70	DATA GENERAL CORPORATION SOUTHBORO, MASSACHUSETTS 01772 TITLE NOVA 800/1200 CONSOLE
	<small>CHECKED</small> K. French 12/9/70 <small>ENGINEER</small> K. Gamm 12/17/70 <small>APPROVED</small>	
<small>MATERIAL</small> <small>FINISH</small>	<small>FIRST USED ON</small> 077 107-000/33 <small>SCALE</small>	<small>SIZE</small> D <small>CODE</small> 001 <small>DRAWING NUMBER</small> 000089 <small>REV</small> 08