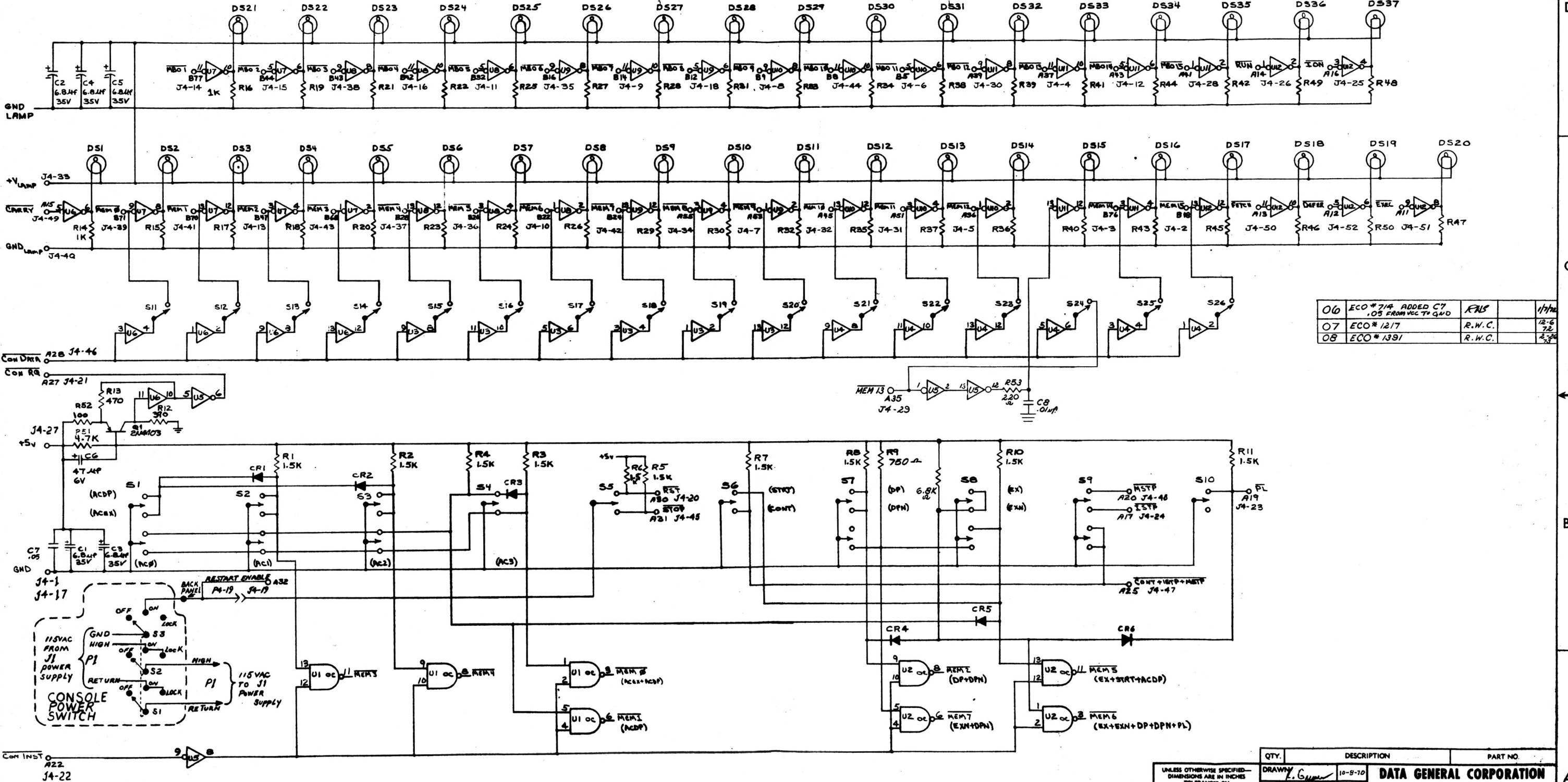


THIS DRAWING AND SPECIFICATIONS HEREIN ARE THE PROPERTY OF DATA GENERAL CORPORATION AND SHALL NOT BE REPRODUCED OR COPIED OR USED IN WHOLE OR IN PART AS THE BASIS FOR MANUFACTURE OR SALE OF ITEMS WITHOUT WRITTEN PERMISSION.

REVISIONS				
REV	DESCRIPTION	DRFTG.	APP. BY	DATE
02	ECO # 118	W.J.G.	W.J.G.	12-10-70
03	ECO # 261	RHS		5-10-71
04	Q1 TO 2UM03 / ECO # 250	RHS		6/20/71
05	ECO # 407	W.J.G.		8/5/71

SEE BELOW



06	ECO # 714 ADDED C7, 05 FROM VCC TO GND	RHS		1/7/72
07	ECO # 1217	R.W.C.		12-6-72
08	ECO # 1391	R.W.C.		2-2-73

QTY.	DESCRIPTION	PART NO.
1	CONSOLE	

UNLESS OTHERWISE SPECIFIED - DIMENSIONS ARE IN INCHES - TOLERANCES ON FRACTIONS DECIMALS ANGLES		DRAWN <i>L. G.</i> 10-9-70	
JDK = * PARTS TO BE FREE FROM BURRS - BREAK ALL EDGES .010		CHECKED <i>K. French</i> 12/9/70	
UNLESS OTHERWISE SPECIFIED - ALL MACH SURFACES		ENGINEER <i>L. G.</i> 12/17/70	
MATERIAL		APPROVED	
FINISH		FIRST USED ON 077	
		107-000/133	
		SCALE	

DATA GENERAL CORPORATION SOUTHBORO, MASSACHUSETTS 01772		TITLE	
		NOVA 800/1200 CONSOLE	
SIZE	CODE	DRAWING NUMBER	REV
D	001	000089	08