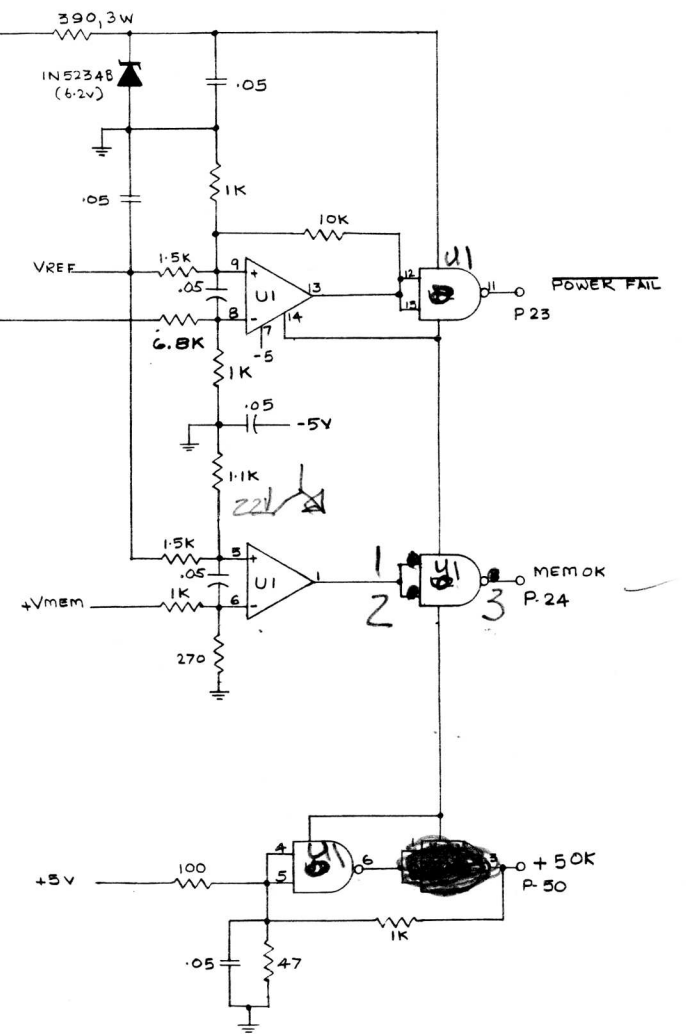
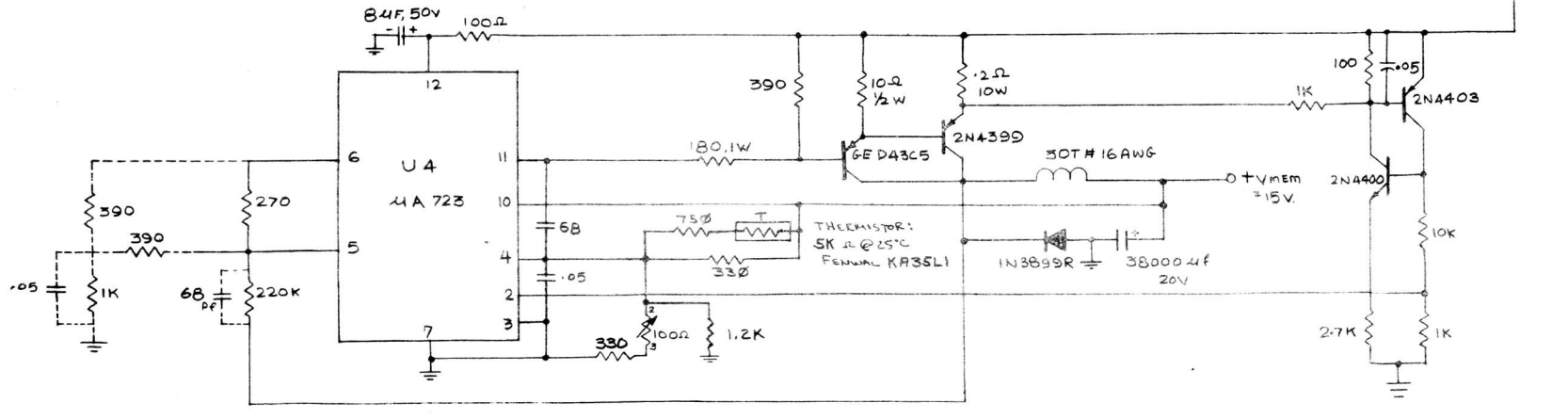
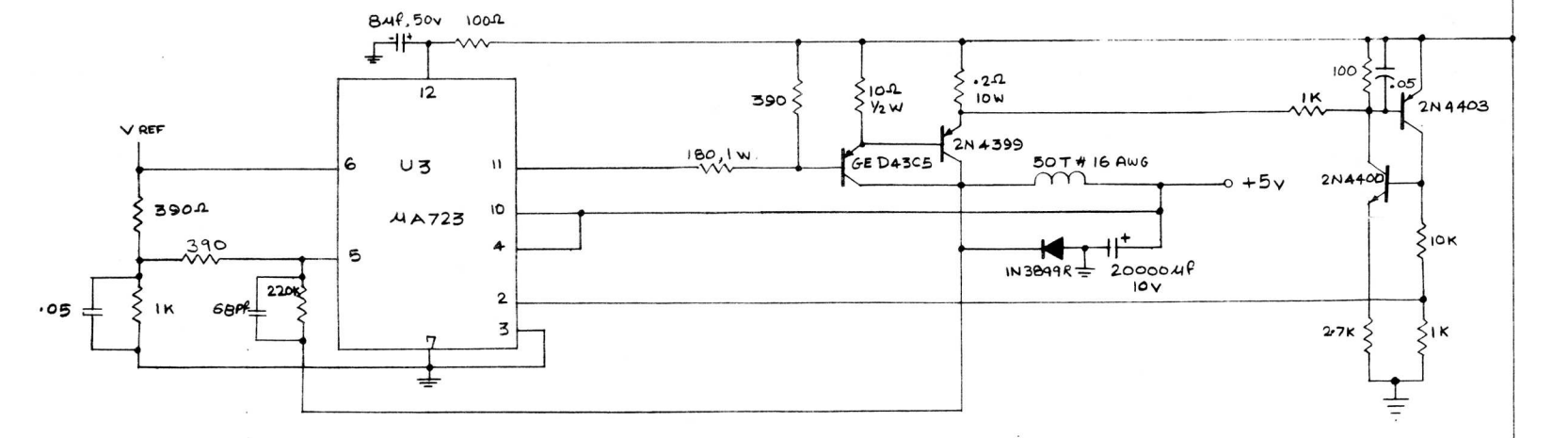
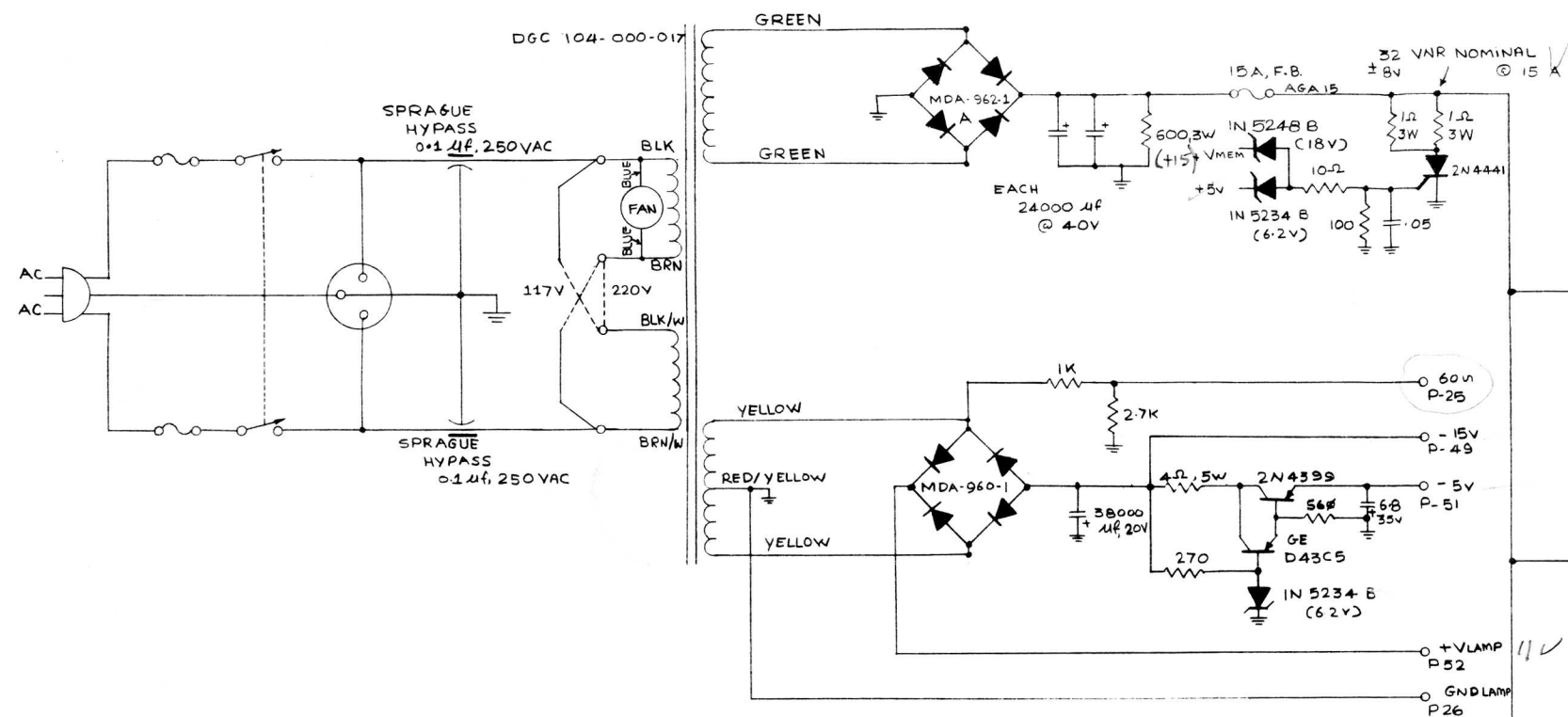


THIS DRAWING AND SPECIFICATIONS HEREIN ARE THE PROPERTY OF DATA GENERAL CORPORATION AND SHALL NOT BE REPRODUCED OR COPIED OR USED IN WHOLE OR IN PART AS THE BASIS FOR MANUFACTURE OR SALE OF ITEMS WITHOUT WRITTEN PERMISSION.

REVISIONS				
REV.	DESCRIPTION	DRFTG.	APP. BY	DATE
01	ECO # 111	MDP	MDP	1-20-70
02	ECO # 153+165	MDP	MDP	1-20-70

411 - MC 1435L  
 412 - 8887  
 7438



QTY.	DESCRIPTION	PART NO.
	UNLESS OTHERWISE SPECIFIED— DIMENSIONS ARE IN INCHES	
	TOLERANCES ON FRACTIONS DECIMALS ANGLES	
	XXX ±	
	PARTS TO BE FREE FROM BURRS BREAK ALL EDGES .010	
	UNLESS OTHERWISE SPECIFIED— ALL MACH. SURFACES	
	MATERIAL	
	FINISH	
	SCALE	
DRAWN: <i>W. Patel</i> 10/29/70		DATA GENERAL CORPORATION SOUTHBORO, MASSACHUSETTS 01772
CHECKED:		
ENGINEER: <i>E. Cassano</i> 10/29/70	TITLE	NOVA 800, 1200 POWER SUPPLY
APPROVED:		
FIRST USED ON:	SIZE	DRAWING NUMBER 0000 91
	CODE	
	D	REV.