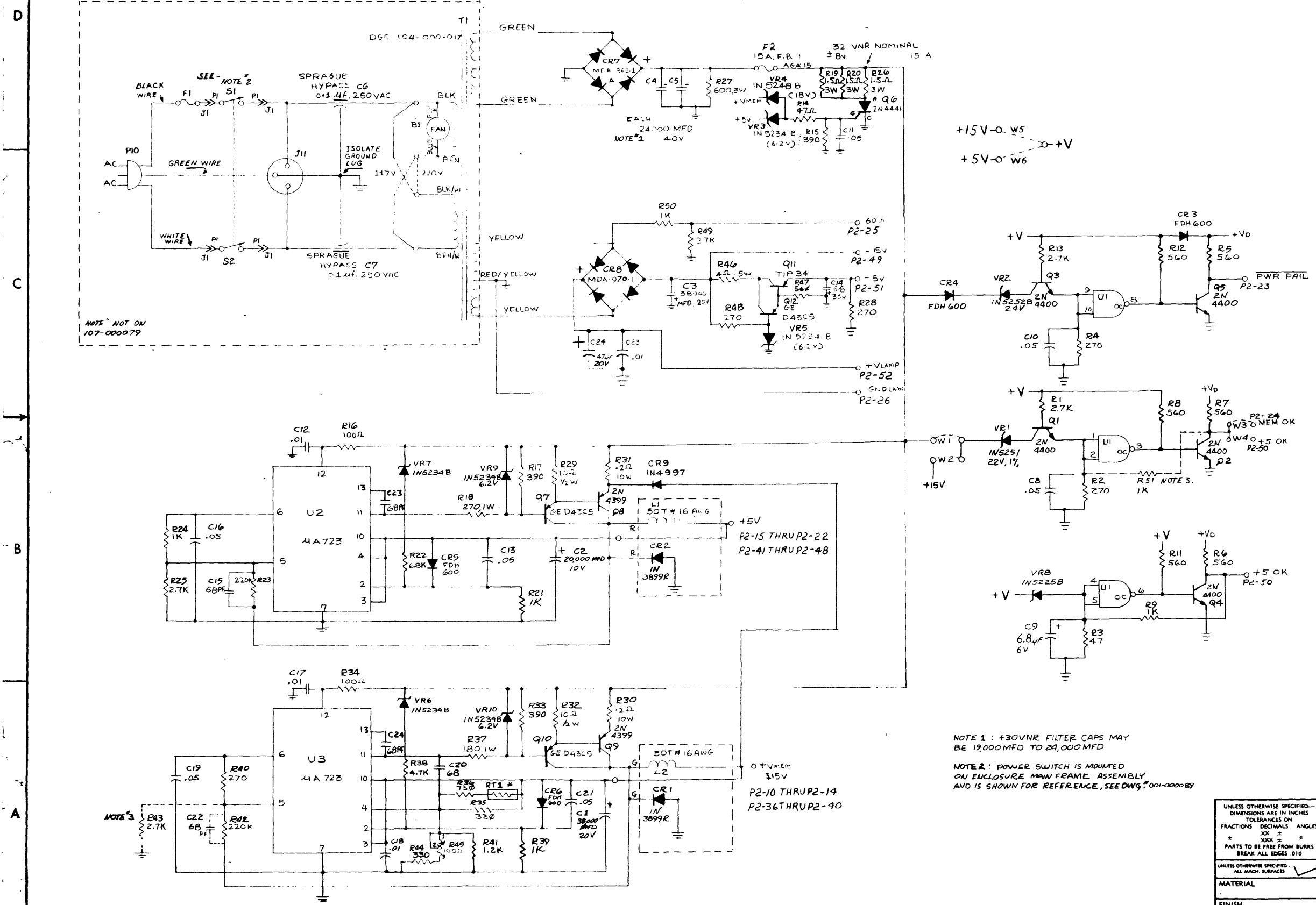


THE DIMENSIONS AND SPECIFICATIONS HEREIN ARE THE PROPERTY OF DATA GENERAL CORPORATION AND SHALL NOT BE REPRODUCED OR COPIED OR USED IN WHOLE OR IN PART AS THE BASIS FOR MANUFACTURE OR SALE OF ITEMS WITHOUT WRITTEN PERMISSION.

REVISIONS				
REV	DESCRIPTION	DRFTG	APP BY	DATE
01	ECO# 111	MJP	MJP	11-77
02	ECO# 153+165	MJP	MJP	1-78
03	ECO# 288	MJP	MJP	4-78
04	ECO# 301	RHS	MJP	1/79
05	REF. DES. AND MODEL PER ECO# 372, 366	RHS	MJP	1/79
06	ECO# 407	WJG	MJP	4/79
07	ECO# 364	WJG	MJP	8/79
08	ECO# 371	WJG	MJP	8/79
09	ECO# 431	WJG	MJP	8/79
10	ECO# 495 + 569	WJG	MJP	8/79
11	ECO# 570	RHS	MJP	11-79
12	ECO# 576	RHS	MJP	1-80
13	ECO# 579	RHS	MJP	1-80
14	ECO# 790	MJP	MJP	3/80
15	ECO# 801	MJP	MJP	3/80
16	ECO# 897	MJP	MJP	3/80
17	ECO# 1034	MJP	MJP	8/80
18	ECO# 1053	MJP	MJP	8/80
19	ECO# 1077	MJP	MJP	8/80



+15V-O W5  
+5V-O W6

NOTE 1: +30VNR FILTER CAPS MAY BE 19,000MFD TO 29,000MFD  
NOTE 2: POWER SWITCH IS MOUNTED ON ENCLOSURE MAIN FRAME ASSEMBLY AND IS SHOWN FOR REFERENCE, SEE DWG. 107-000079

QTY	DESCRIPTION	PART NO.
1	UNLESS OTHERWISE SPECIFIED - DIMENSIONS ARE IN INCHES	
1	FRACTIONS DECIMALS ANGLES	
1	XX ±	
1	XXX ±	
1	PARTS TO BE FREE FROM BURRS	
1	BREAK ALL EDGES 0.10	
1	UNLESS OTHERWISE SPECIFIED - ALL MACH SURFACES	
1	MATERIAL	
1	FINISH	

DATA GENERAL CORPORATION	SOUTHBORO, MASSACHUSETTS 01772
TITLE	NOVA 800, 1200
POWER SUPPLY	
FIRST USED ON	107-000079
SCALE	
SIZE	D
CODE	000091
DRAWING NUMBER	
REV	19