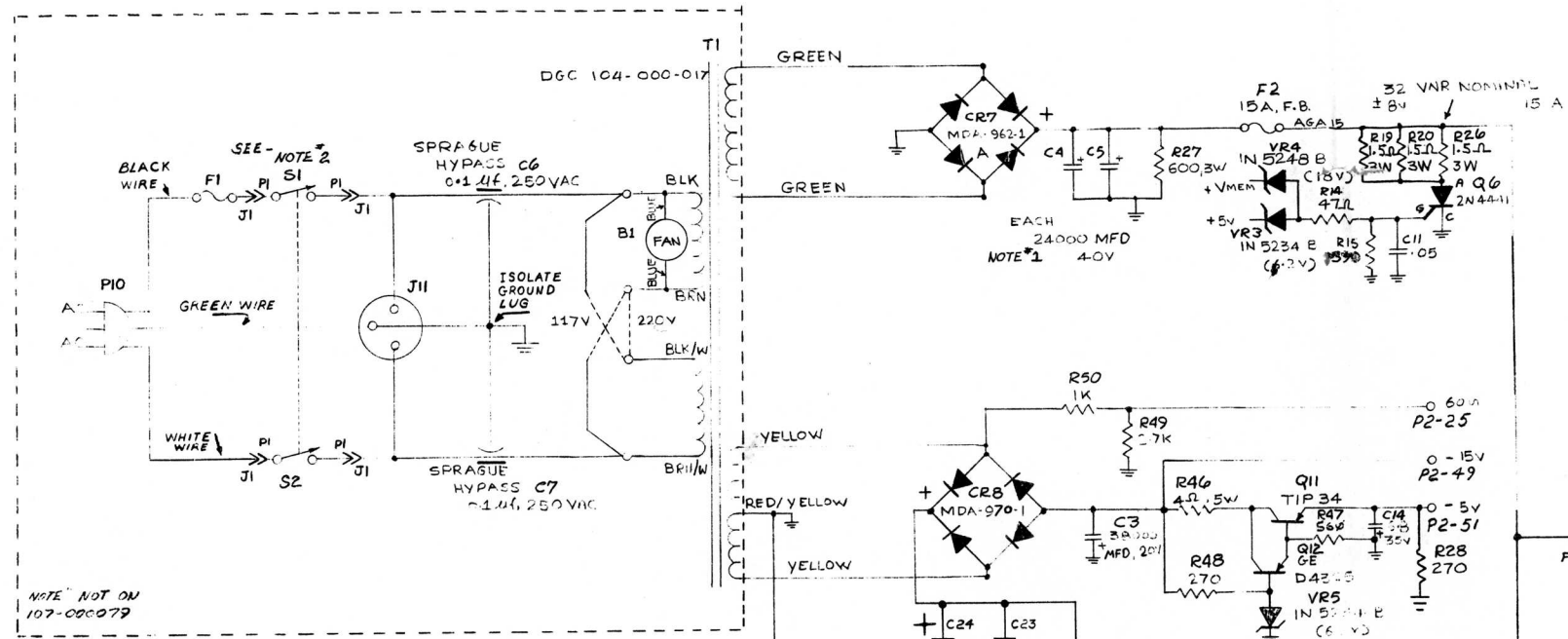
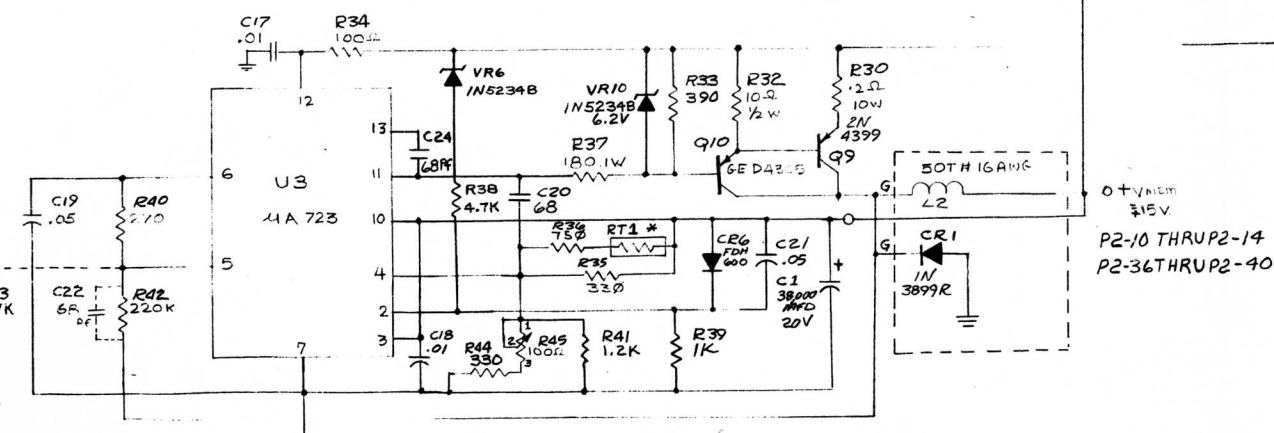
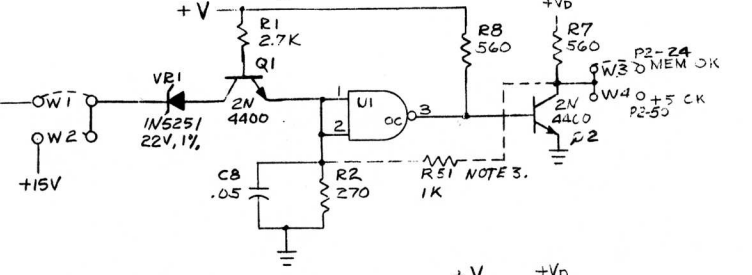
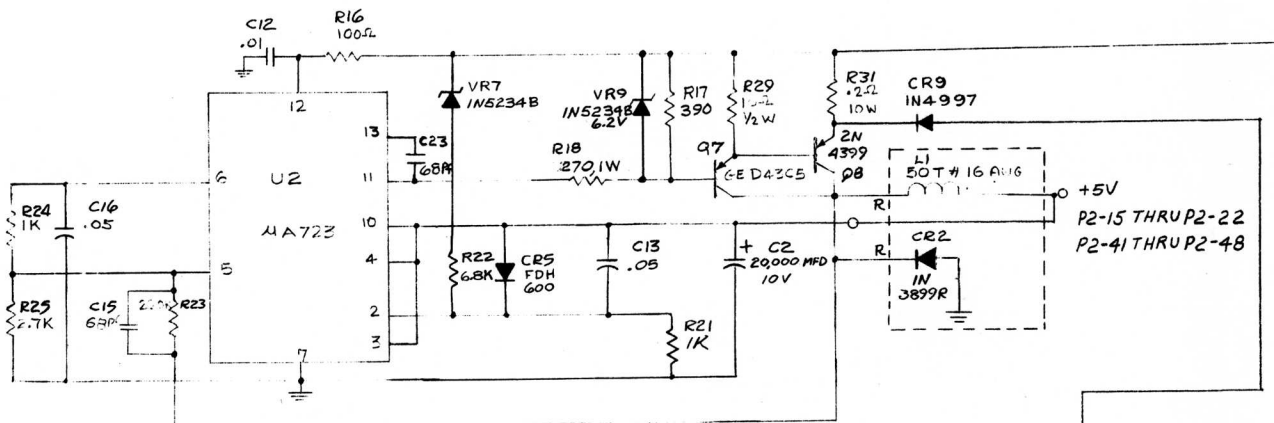
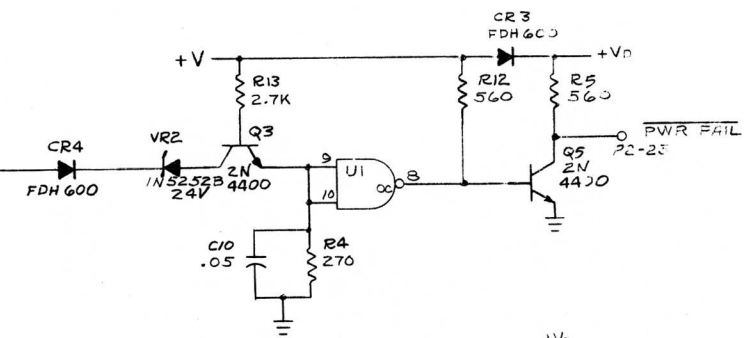
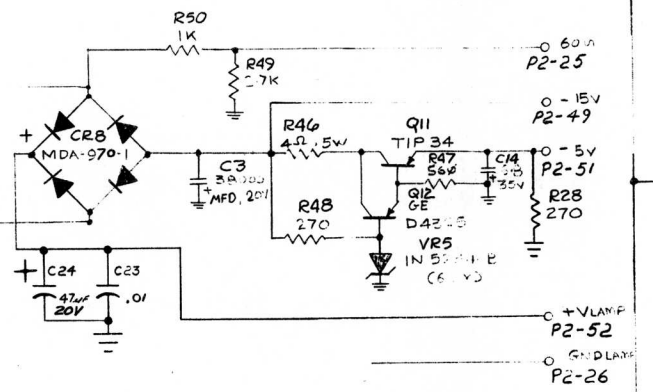


THIS DRAWING AND SPECIFICATIONS HEREIN, ARE THE PROPERTY OF DATA GENERAL CORPORATION AND SHALL NOT BE REPRODUCED OR COPIED OR USED IN WHOLE OR IN PART AS THE BASIS FOR MANUFACTURE OR SALE OF ITEMS WITHOUT WRITTEN PERMISSION.

REVISIONS				
REV.	DESCRIPTION	DRFTG.	APP. BY	DATE
01	ECO # 111	MJD	PHS	12-1-70
02	ECO # 153+165	MJD	PHS	1-20-71
03	ECO # 288	MJD	PHS	4-21-71
04	ECO # 301	PHS		4/29/71
05	REF. DIS. AND MODIFIED PER ECO # 272, 366	PHS		1/23/71
06	ECO # 407	WJG		7/4/71
07	ECO # 364	WJG		9/24/71
08	ECO # 371	WJG		9/25/71
09	ECO # 431	WJG		9/25/71
10	ECO # 495 + 507	WJG		9/25/71
11	ECO # 570	PHS		11-10-71
12	ECO # 576	PHS		11-16-71
13	ECO # 579	PHS		11-16-71
14	ECO # 790	PHS		1/12/72
15	ECO # 801	PHS		3/1/72
16	ECO # 897	PHS		3/1/72
17	ECO # 1094	PHS		7/1/72
18	ECO # 1055	PHS		8/2/72
19	ECO # 1077	PHS		8/2/72



+15V - Q W5  
+5V - Q W6



NOTE 1: +30VNR FILTER CAPS MAY BE 19,000 MFD TO 24,000 MFD  
NOTE 2: POWER SWITCH IS MOUNTED ON ENCLOSURE MAIN FRAME ASSEMBLY AND IS SHOWN FOR REFERENCE, SEE DWG. 001-000079

QTY.	DESCRIPTION	PART NO.
1	DATA GENERAL CORPORATION	
1	SOUTHBORO, MASSACHUSETTS 01772	
1	NOVA 800, 1200	
1	POWER SUPPLY	
1	107-000079	
1	SCALE	
1	SIZE CODE	
1	DRAWING NUMBER	
1	REV	