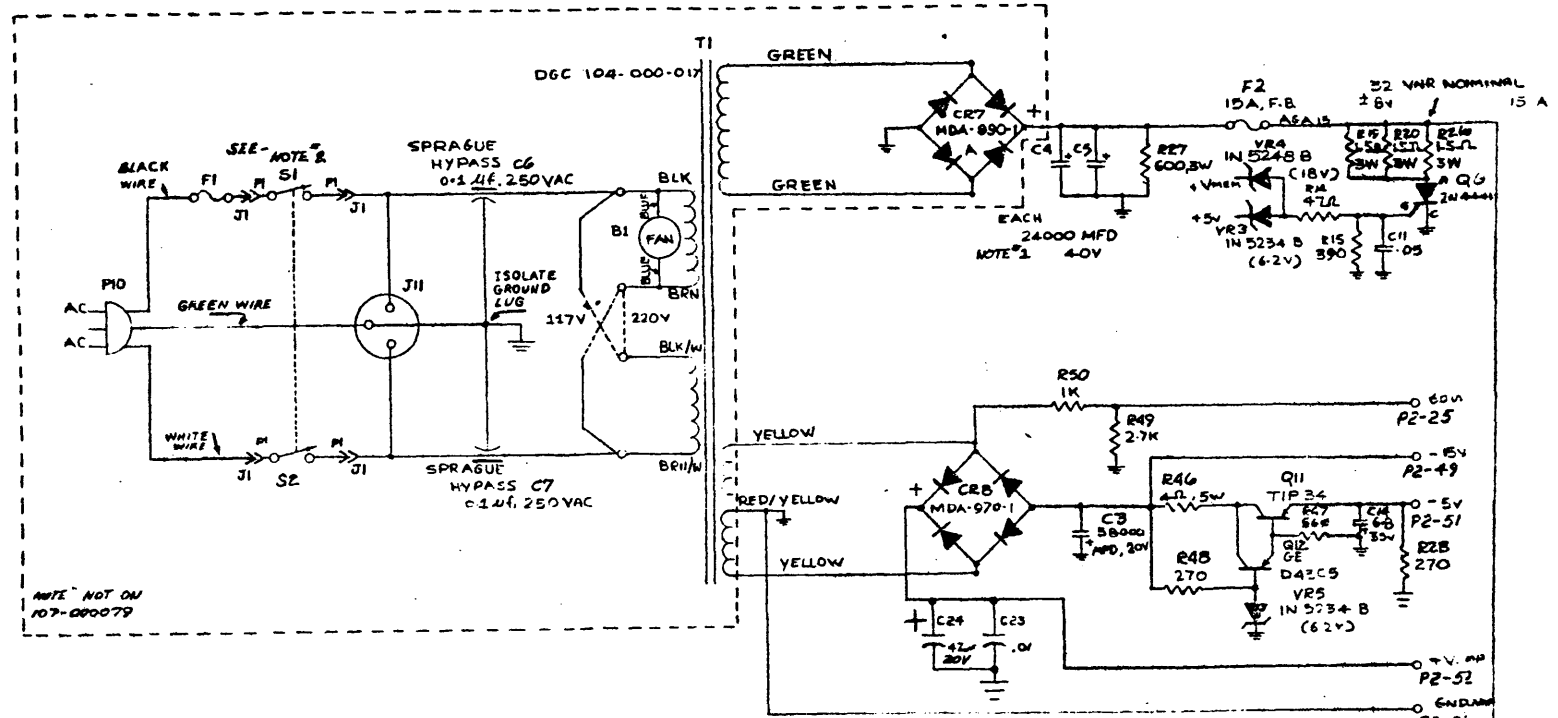
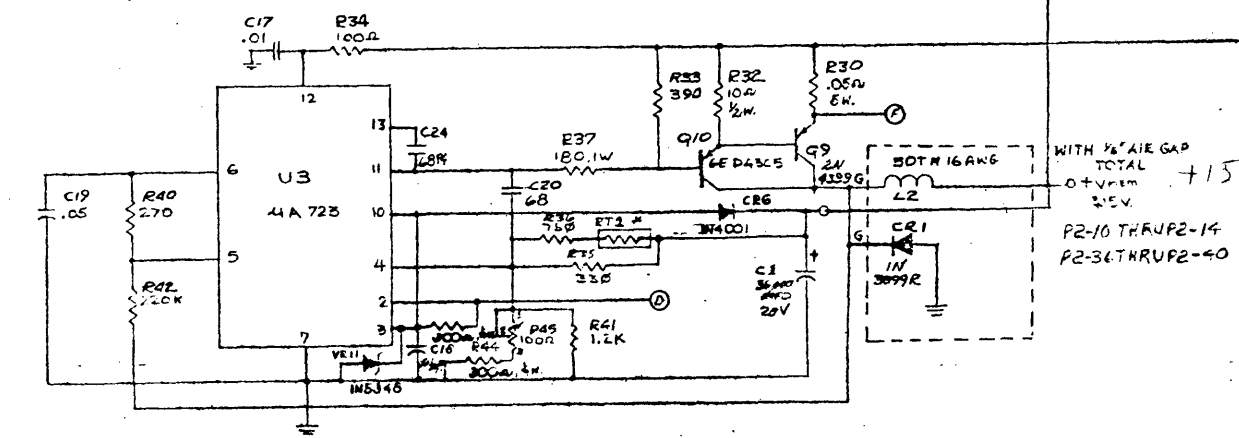
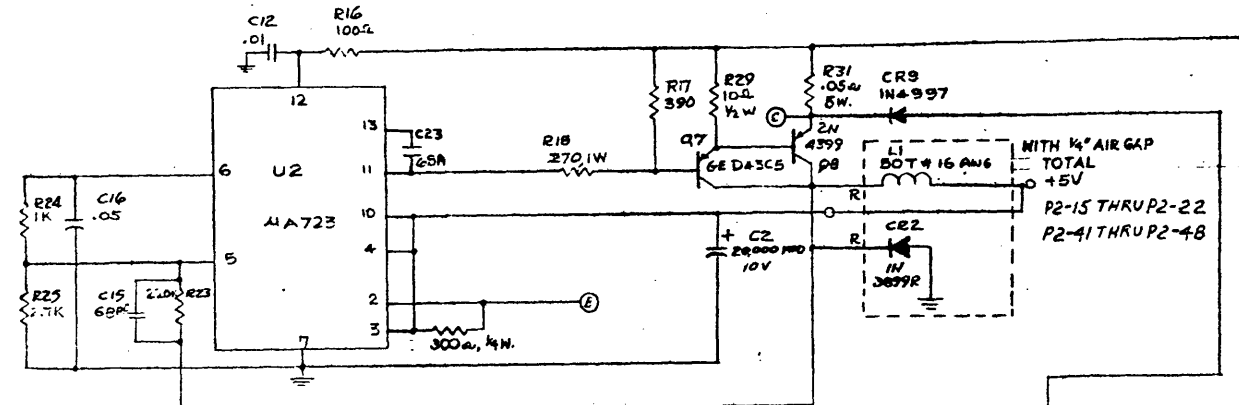
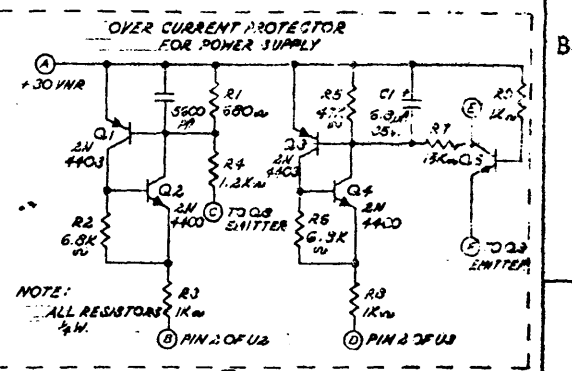
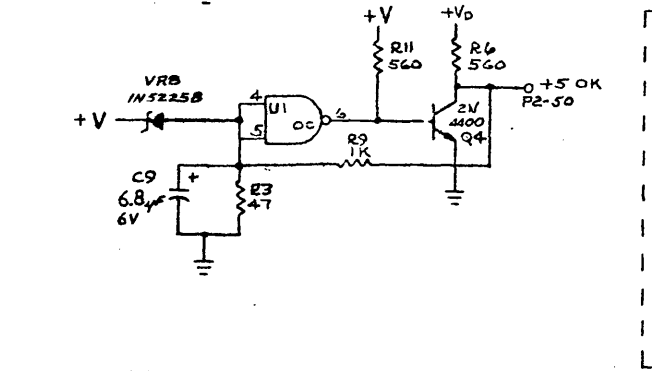
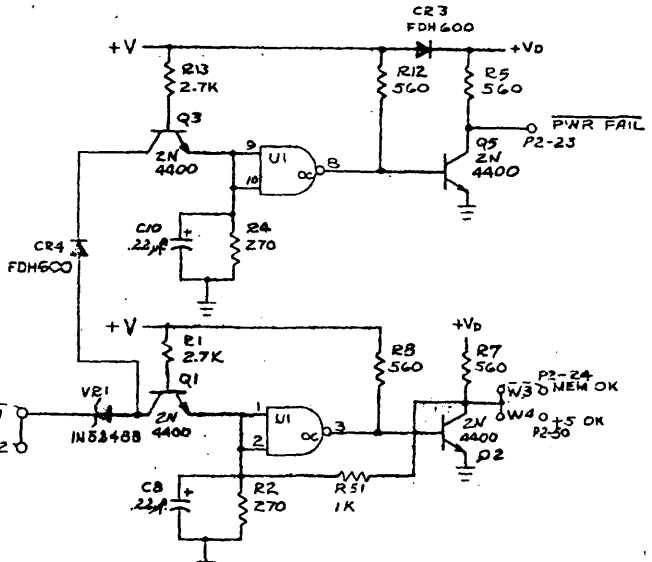


USE STANDARD AND METRIC DIMENSIONS, UNLESS THE PROPERTY OF THIS DRAWING IS USED IN CONNECTION WITH THE MANUFACTURE OF THIS OR ANY PART OF THE DRAWING FOR MANUFACTURE IN THE U.S. WITHOUT WRITTEN PERMISSION.

REVISIONS				
REV	DESCRIPTION	DATE	BY	DATE
01	ECO# 111	1/20/68	WJS	1/20/68
02	ECO# 153+165	1/20/68	WJS	1/20/68
03	ECO# 288	1/20/68	WJS	1/20/68
04	ECO# 301	1/20/68	WJS	1/20/68
05	REF. ON APPROVED PER ECO# 273, 346	1/20/68	WJS	1/20/68
06	ECO# 407	1/20/68	WJS	1/20/68
07	ECO# 364	1/20/68	WJS	1/20/68
08	ECO# 371	1/20/68	WJS	1/20/68
09	ECO# 431	1/20/68	WJS	1/20/68
10	ECO# 475 + 569	1/20/68	WJS	1/20/68
11	ECO# 570	1/20/68	WJS	1/20/68
12	ECO# 575	1/20/68	WJS	1/20/68
13	ECO# 579	1/20/68	WJS	1/20/68
14	ECO# 730	1/20/68	WJS	1/20/68
15	ECO# 801	1/20/68	WJS	1/20/68
16	ECO# 897	1/20/68	WJS	1/20/68
17	ECO# 1034	1/20/68	WJS	1/20/68
18	ECO# 1353	1/20/68	WJS	1/20/68
19	ECO# 1377	1/20/68	WJS	1/20/68
20	ECO# 1339	1/20/68	WJS	1/20/68
21	ECO# 1530	1/20/68	WJS	1/20/68



+5V W6



NOTE 1: +30VNR FILTER CAPS MAY BE 12,000MFD TO 24,000MFD.  
NOTE 2: POWER SWITCH IS MOUNTED ON ENCLOSURE MAIN FRAME ASSEMBLY AND IS SHOWN FOR REFERENCE, SEE DWG. 107-000079

QTY.	DESCRIPTION	PART NO.
1	7805	U1
1	7815	U2
1	7815	U3
1	7805	U4
1	7805	U5
1	7805	U6
1	7805	U7
1	7805	U8
1	7805	U9
1	7805	U10
1	7805	U11
1	7805	U12
1	7805	U13
1	7805	U14
1	7805	U15
1	7805	U16
1	7805	U17
1	7805	U18
1	7805	U19
1	7805	U20
1	7805	U21

UNLESS OTHERWISE SPECIFIED - DIMENSIONS ARE IN INCHES - TOLERANCES ON FRACTIONS DECIMALS ANGLES		DRAWN BY: R. B. [Signature]	
XX =	XX =	CHECKED	1/15/68
XX =	XX =	ENGINEER	[Signature]
XX =	XX =	APPROVED	1/15/68
XX =	XX =	FIRST USED ON	107-000079
XX =	XX =	SCALE	
MATERIAL		SIZE CODE	
FINISH		DRAWING NUMBER	
		D 001 0000 91	
		21	

\* +15 VOLT goes down as temp rises  
at 350C +14