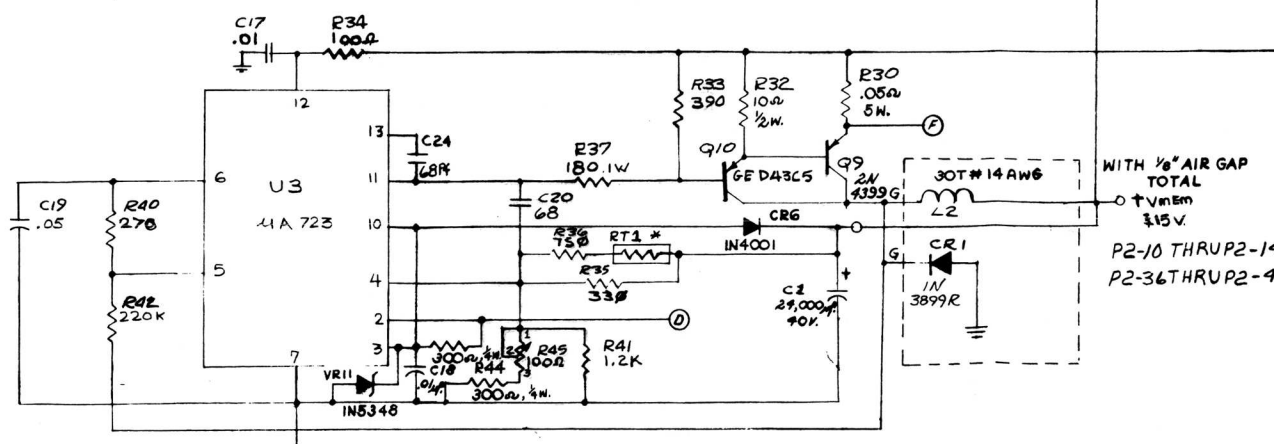
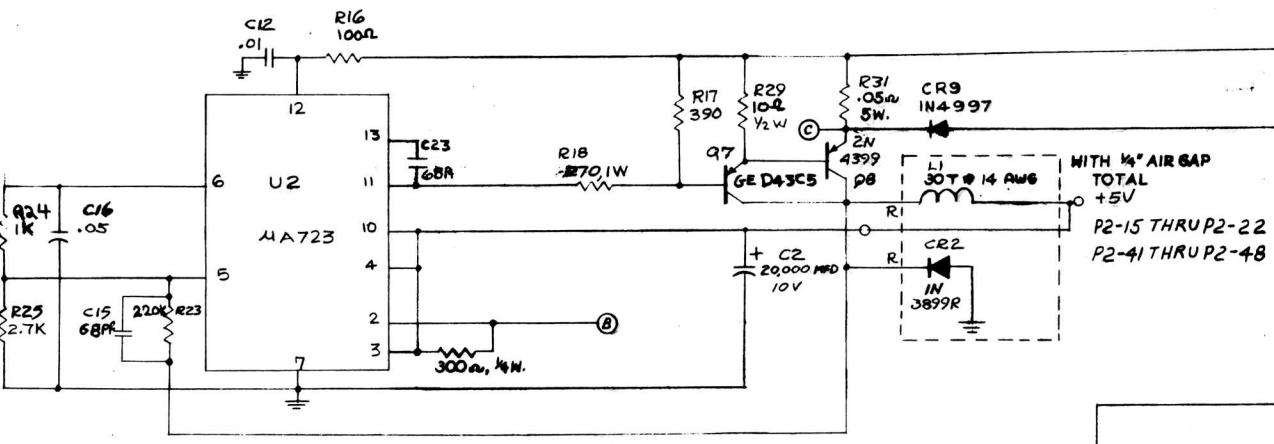
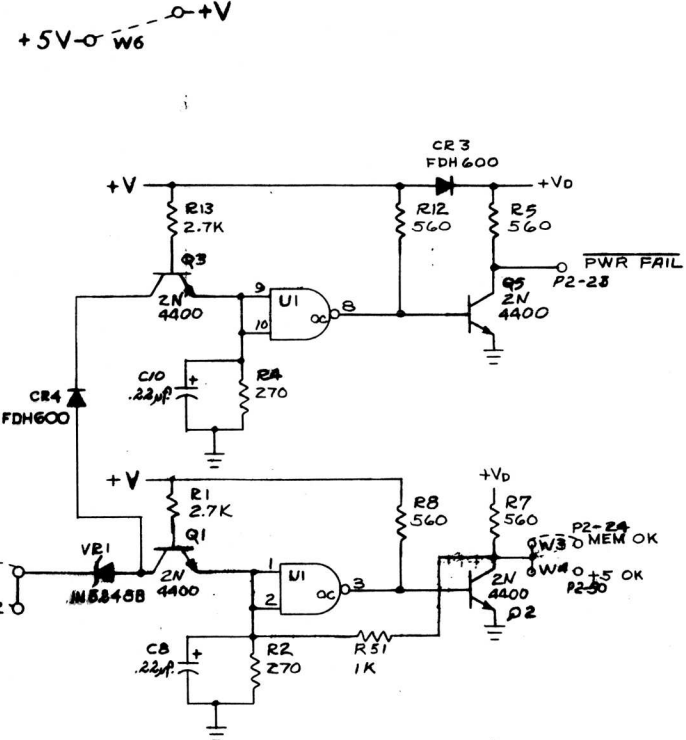
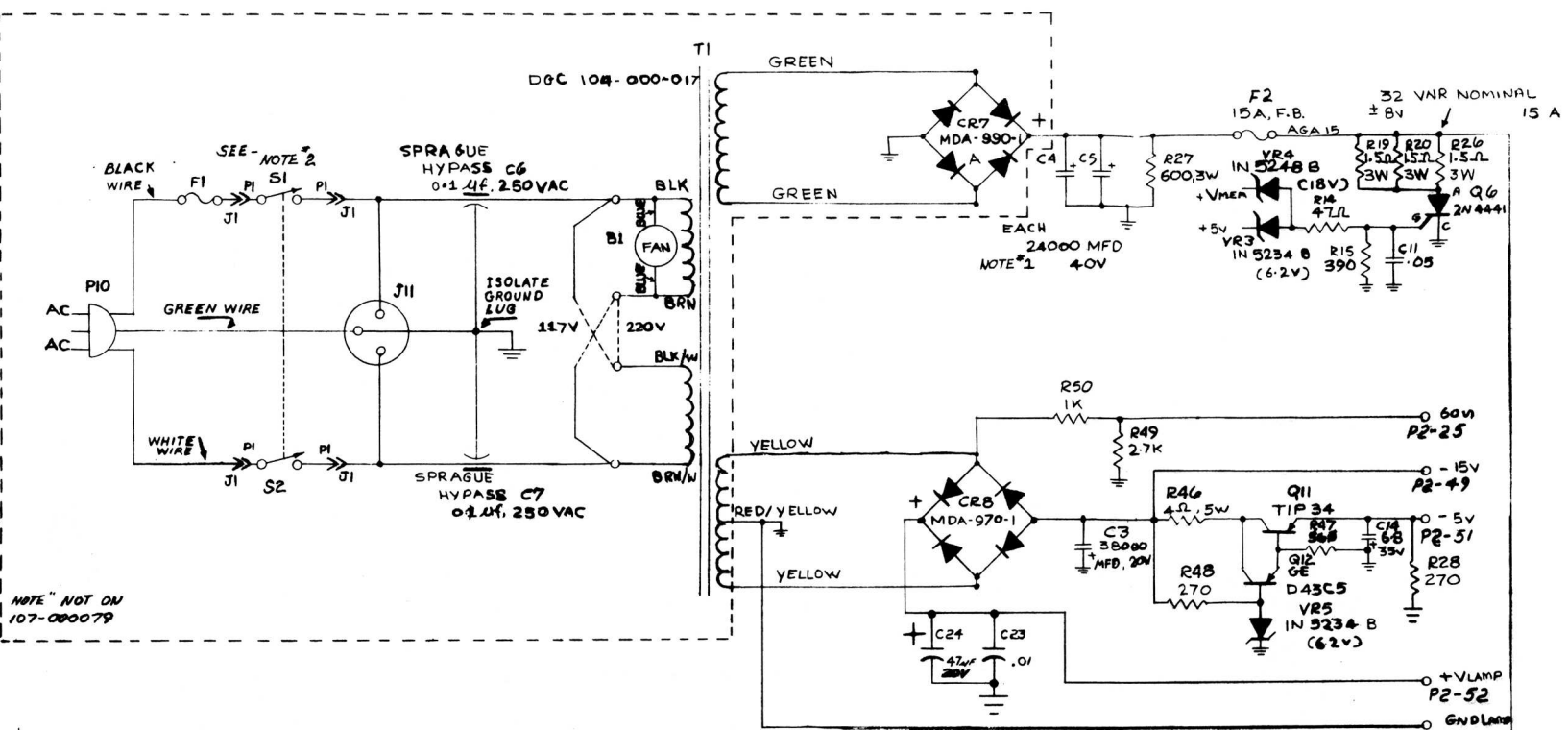


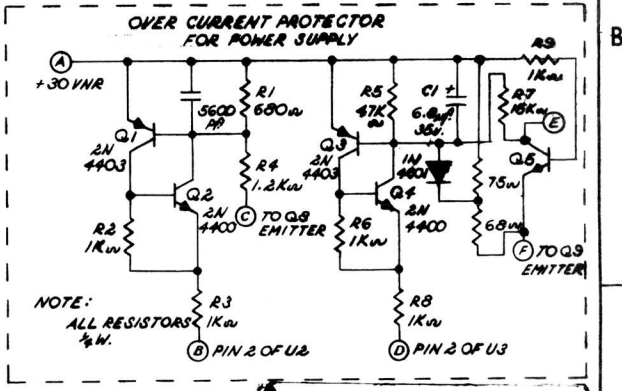
THIS DRAWING AND SPECIFICATIONS, HEREIN, ARE THE PROPERTY OF DATA GENERAL CORPORATION AND SHALL NOT BE REPRODUCED OR COPIED OR USED IN WHOLE OR IN PART AS THE BASIS FOR MANUFACTURE OR SALE OF ITEMS WITHOUT WRITTEN PERMISSION.

REVOLUTIONS

REV	DESCRIPTION	DRFTG	APP BY	DATE
01	ECO# 111	MDG	MDG	12-1-70
02	ECO# 153#165	MDG	MDG	1-20-71
03	ECO# 288	MDG	MDG	4-21-71
04	ECO# 301	RHS	RHS	4/28/71
05	REF. DR. FOR POWER SUPPLY ECO# 302, 306	RHS	RHS	4/28/71
06	ECO# 407	WJS	WJS	4/28/71
07	ECO# 364	WJS	WJS	4/28/71
08	ECO# 371	WJS	WJS	4/28/71
09	ECO# 431	WJS	WJS	4/28/71
10	ECO# 493*569	WJS	WJS	4/28/71
11	ECO# 570	RHS	RHS	4-16-71
12	ECO# 576	RHS	RHS	4-16-71
13	ECO# 579	RHS	RHS	4-16-71
14	ECO# 790	RHS	RHS	4-17-71
15	ECO# 801	RHS	RHS	4-17-71
16	ECO# 897	RHS	RHS	4-17-71
17	ECO# 1034	RHS	RHS	4-17-71
18	ECO# 1053	RHS	RHS	4-17-71
19	ECO# 1077	RHS	RHS	4-17-71
20	ECO# 1339	R.N.C.	R.N.C.	4-17-71
21	ECO# 1530	R.N.C.	R.N.C.	4-17-71
22	ECO# 1717	R.N.C.	R.N.C.	4-17-71
23	ECO# 1738	R.N.C.	R.N.C.	4-17-71
24	ECO# 1848	R.N.C.	R.N.C.	4-17-71



NOTE 1: +30VNR FILTER CAPS MAY BE 12,000MFD TO 24,000MFD
NOTE 2: POWER SWITCH IS MOUNTED ON ENCLOSURE MAIN FRAME ASSEMBLY AND IS SHOWN FOR REFERENCE, SEE DWG. 101-000079



QTY.	DESCRIPTION	PART NO.
UNLESS OTHERWISE SPECIFIED—DIMENSIONS ARE IN INCHES		
TOLERANCES ON FRACTIONS DECIMALS ANGLES		
✓	CHECKED	
✓	ENGINEER	
✓	APPROVED	
UNLESS OTHERWISE SPECIFIED—ALL MACH. SURFACES		
MATERIAL		
FINISH		
DRAWN BY: <i>MDG</i> 10/28/70		
CHECKED BY: <i>K. O'Connell</i> 10/28/70		
FIRST USED ON 2054		
107-000079		
SCALE	SIZE CODE	DRAWING NUMBER
	D 001	000091

DATA GENERAL CORPORATION	
SOUTHBORO, MASSACHUSETTS 01772	
TITLE	
NOVA 800, 1200	
POWER SUPPLY	
SIZE CODE	DRAWING NUMBER
D 001	000091
SHEET	1 of 1