

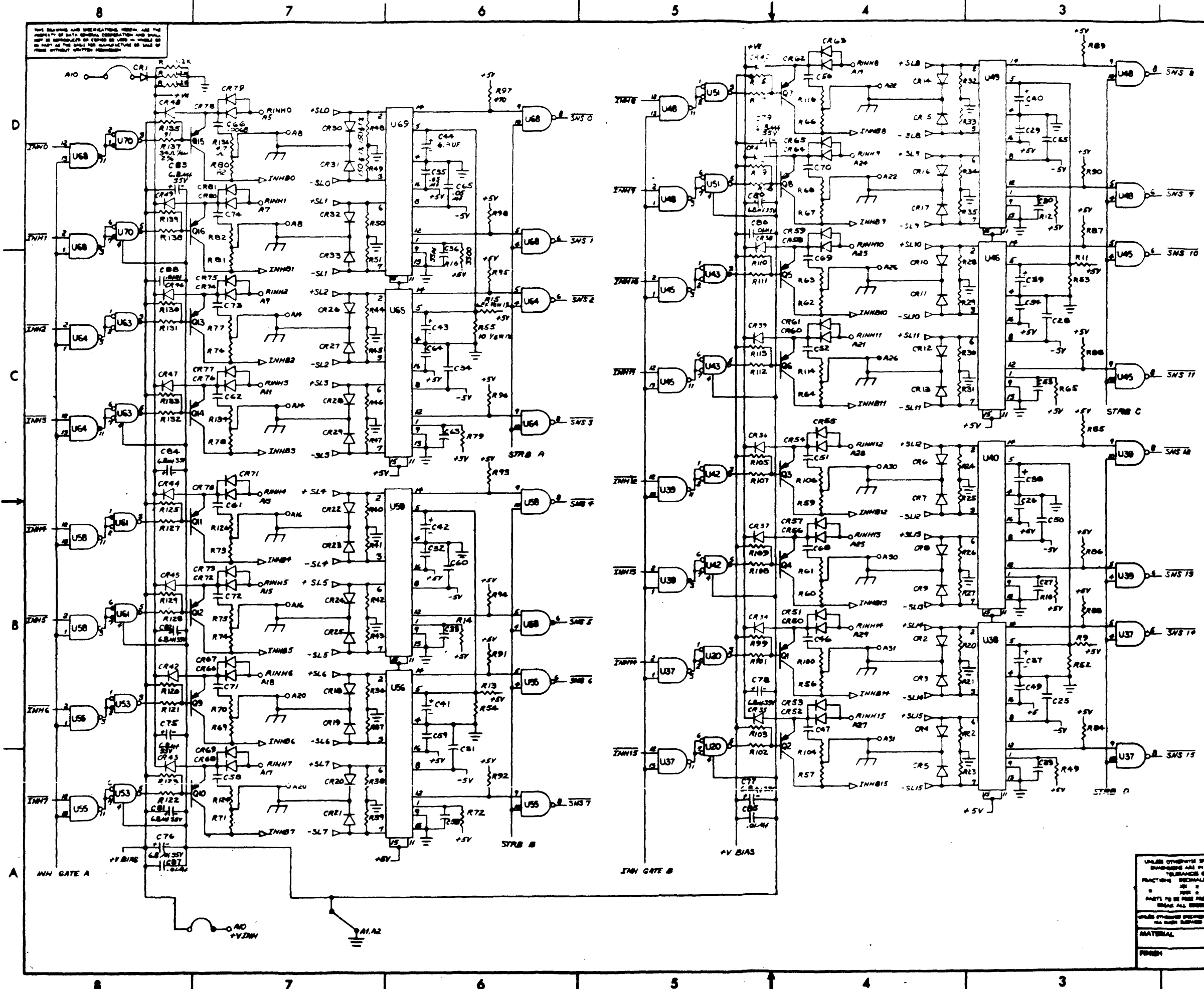
REVISIONS				
REV	DESCRIPTION	DRG	APP	DATE
01	ECO 269	RNK		1-77
02	ECO 294	RNK		1-77
03	ECO 323	RNK		1-77
04	ECO 325	RNK		1-77
05	ECO 390	RNK		1-77
06	ECO 481	RNK		1-77
07	ECO 725	RNK		1-77
08	ECO 768	RNK		1-77
09	ECO 785	RNK		1-77

NOTE: - FOLLOWING COMPONENTS ARE NOT INSTALLED ON P.C. BOARD REV 01A  
 R1, R48, C5, C12, C48, R4, R11

NOTE: ALL CAPACITORS ARE MICROFARADS UNLESS INDICATED OTHERWISE  
 RESISTORS ARE IN OHMS UNLESS INDICATED OTHERWISE  
 1/4 WATT 5% TOLERANCE UNLESS OTHERWISE SPECIFIED

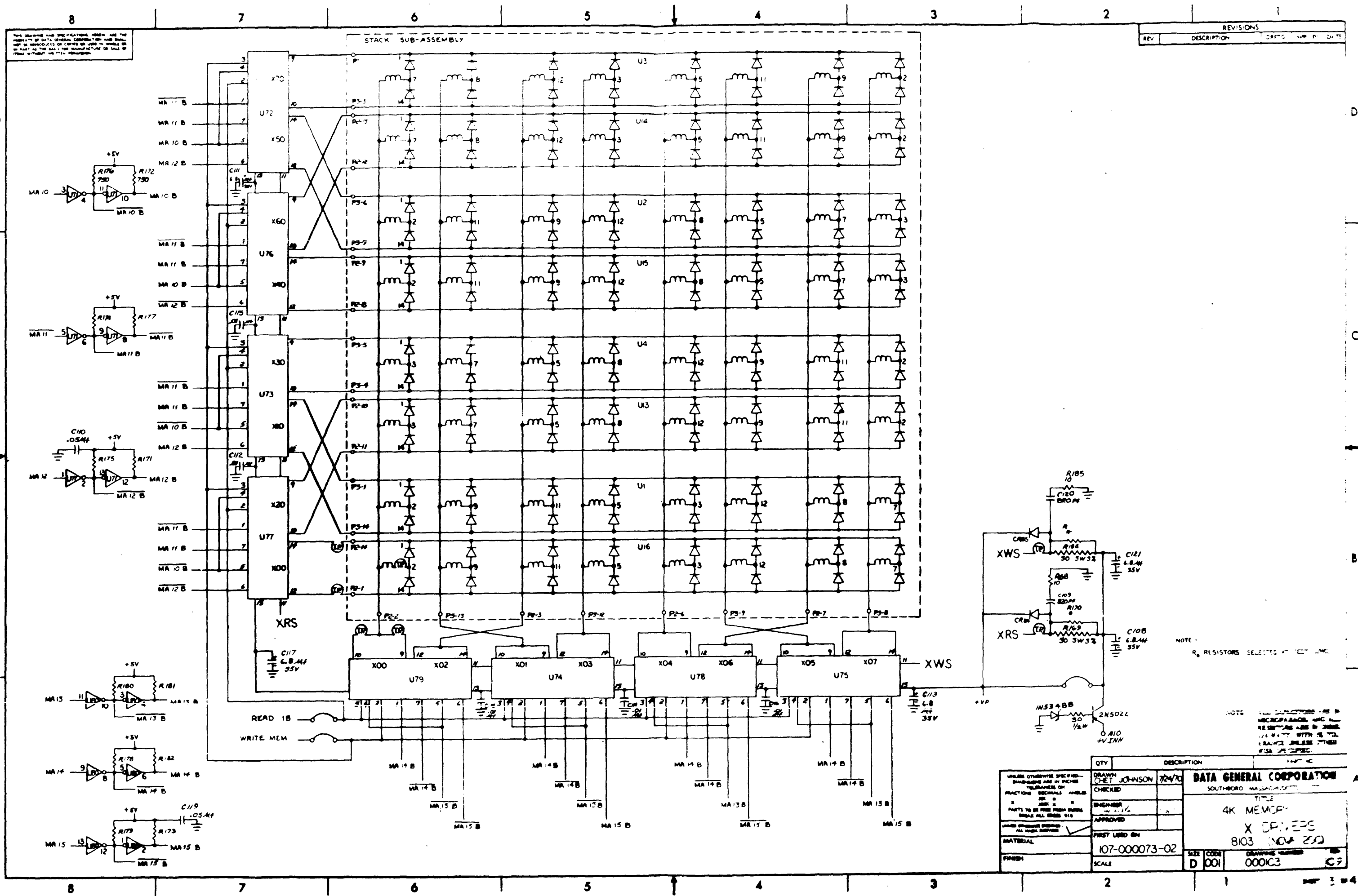
QTY	DESCRIPTION	PART NO
	UNLESS OTHERWISE SPECIFIED - DIMENSIONS ARE IN INCHES TOLERANCES ON FRACTIONS DECIMALS ANGLES	
	PARTS TO BE FROM THESE SUPPLIERS BREAK ALL OTHERS	
	UNLESS OTHERWISE SPECIFIED - ALL DIMENSIONS ARE IN INCHES	
	MATERIAL	
	FINISH	
	SCALE	
	DATE	
	BY	
	CHECKED	
	APPROVED	
	FIRST USED ON	
	107-000073-02	
	DATA GENERAL CORPORATION	
	SOUTH BORD MA 01860	
	4K MEMORY	
	MA&MB REGISTER & CONTROL	
	8103 (NOVA 200)	
	DRAWING NUMBER	
	000103	
	REV	
	D 001	

REVISIONS		
REV	DESCRIPTION	DATE



NOTE: ALL CAPACITORS ARE IN MICROFARADS, AND ALL RESISTORS ARE IN OHMS, UNLESS OTHERWISE SPECIFIED.  
TRANSISTORS ARE 2N5022

UNLESS OTHERWISE SPECIFIED - DIMENSIONS ARE IN INCHES FRACTIONS DECIMALS ANGLES 1/16 1/8 1/4 3/8 1/2 5/8 3/4 7/8 1 1 1/4 1 1/2 1 3/4 2 2 1/4 2 1/2 3 3 1/4 3 1/2 4 4 1/4 4 1/2 5 5 1/4 5 1/2 6 6 1/4 6 1/2 7 7 1/4 7 1/2 8 8 1/4 8 1/2 9 9 1/4 9 1/2 10 PARTS TO BE MADE FROM BLANKS DRAW ALL DIMS TO 100% UNLESS OTHERWISE SPECIFIED UNLESS OTHERWISE SPECIFIED - ALL DIMENSIONS ARE IN INCHES MATERIAL FINISH	QTY DRAWN CHECKED ENGINEER APPROVED FIRST USED ON SCALE	DESCRIPTION DATE 107-000073-02 D 001	PART NO <b>DATA GENERAL CORPORATION</b> SOUTHBORO, MASSACHUSETTS TITLE <b>4K - MEMORY SENSE &amp; INHIBIT</b> <b>8103 (NOV 2004)</b> DRAWING NUMBER <b>000103</b> C	
	9/6/70 [Signature] [Signature] [Signature]	10/1/70	107-000073-02 D 001	000103 C
	107-000073-02 D 001	107-000073-02 D 001	107-000073-02 D 001	107-000073-02 D 001
	107-000073-02 D 001	107-000073-02 D 001	107-000073-02 D 001	107-000073-02 D 001



REVISIONS			
REV	DESCRIPTION	DATE	BY

THIS DRAWING AND SPECIFICATIONS HEREIN ARE THE PROPERTY OF DATA GENERAL CORPORATION AND SHALL NOT BE REPRODUCED OR COPIED IN WHOLE OR IN PART BY ANY OTHER MANUFACTURER OF THIS TYPE WITHOUT WRITTEN PERMISSION.

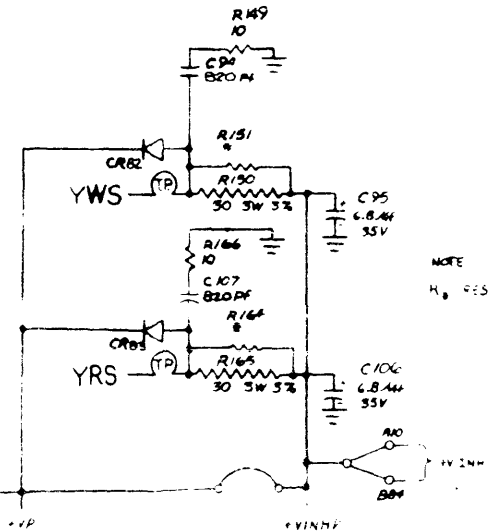
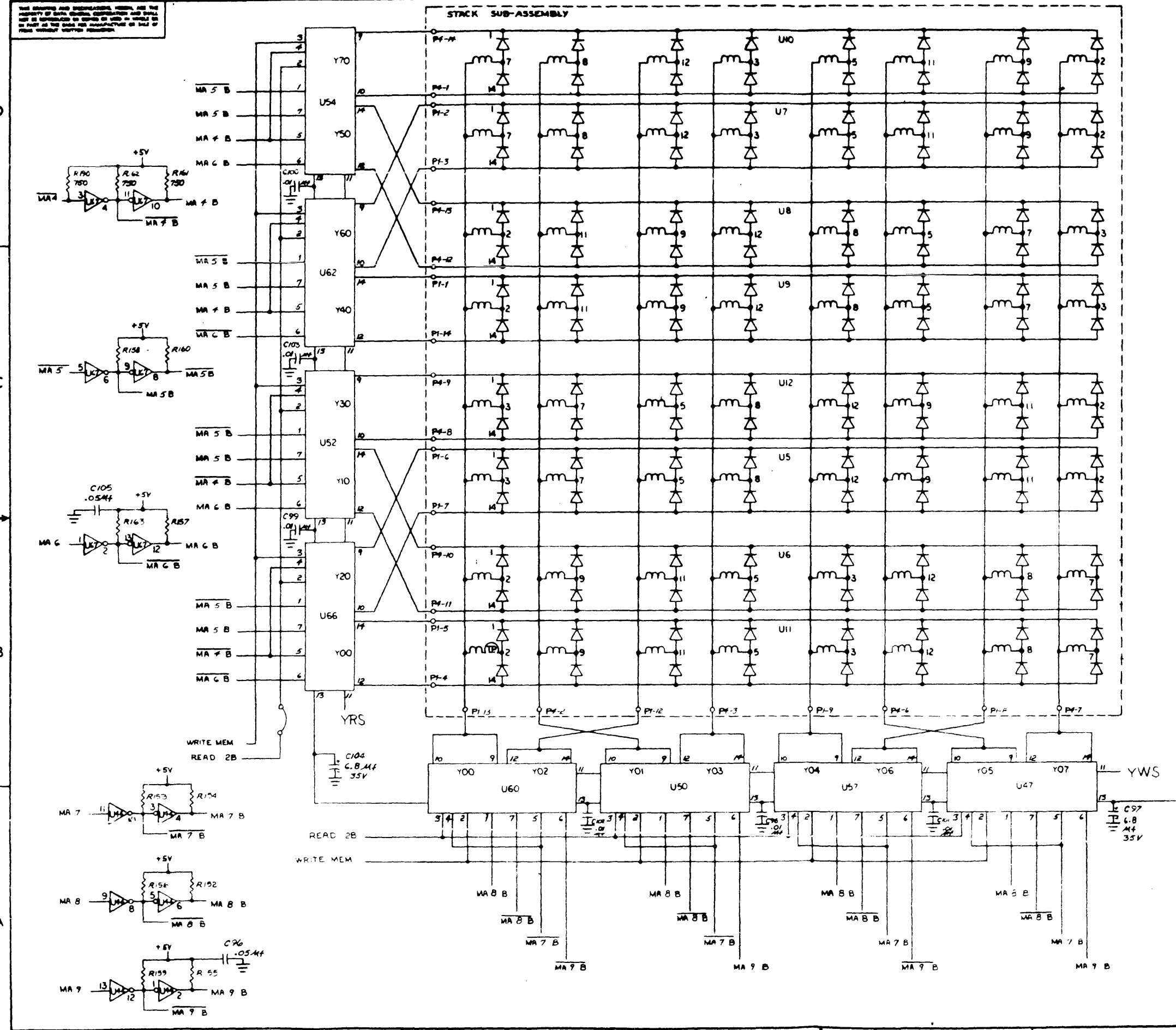
NOTE - R<sub>6</sub> RESISTORS SELECTED AT TEST TIME

NOTE - ALL DIMENSIONS ARE IN MILLIMETERS UNLESS OTHERWISE SPECIFIED. DIMENSIONS ARE IN INCHES UNLESS OTHERWISE SPECIFIED. DIMENSIONS ARE IN MILLIMETERS UNLESS OTHERWISE SPECIFIED. DIMENSIONS ARE IN INCHES UNLESS OTHERWISE SPECIFIED.

QTY	DESCRIPTION	<b>DATA GENERAL CORPORATION</b> SOUTH BORO, MASSACHUSETTS TITLE <b>4K MEMORY X DRIVERS</b> 8103 NOV 70
UNLESS OTHERWISE SPECIFIED - DIMENSIONS ARE IN INCHES UNLESS OTHERWISE SPECIFIED. DIMENSIONS ARE IN MILLIMETERS UNLESS OTHERWISE SPECIFIED. DIMENSIONS ARE IN INCHES UNLESS OTHERWISE SPECIFIED. DIMENSIONS ARE IN MILLIMETERS UNLESS OTHERWISE SPECIFIED.	DRAWN: CHET JOHNSON 7/24/70 CHECKED: [ ] ENGINEER: [ ] APPROVED: [ ] FIRST USED ON: [ ]	SIZE: D CODE: DOI DRAWING NUMBER: 0001C3 DESIGNED BY: [ ] DATE: [ ]
MATERIAL	107-000073-02	
FINISH	SCALE	

REVISIONS			
REV	DESCRIPTION	DRFTG	APP BY DATE

THE DRAWING AND SPECIFICATIONS HEREIN ARE THE PROPERTY OF DATA GENERAL CORPORATION AND SHALL NOT BE REPRODUCED OR COPIED IN WHOLE OR IN PART WITHOUT THE WRITTEN PERMISSION OF DATA GENERAL CORPORATION.



NOTE: R<sub>1</sub> RESISTORS SELECTED AT TEST LEVEL

NOTE: ALL CAPACITORS ARE IN MICROFARADS, AND ALL RESISTORS ARE IN OHMS. 1/4 WATT, WITH 5% TOLERANCE UNLESS OTHERWISE SPECIFIED.

UNLESS OTHERWISE SPECIFIED—DIMENSIONS ARE IN INCHES TOLERANCES ON FRACTIONS DECIMALS ANGLES .001 .005 .001	QTY	DESCRIPTION	PART NO.
	DECAYN	JOHNSON	72470
	CHECKED		
	ENGINEER		
UNLESS OTHERWISE SPECIFIED—ALL HOLES SURFACE	APPROVED		
	FIRST USED ON	107-000073-02	
MATERIAL			
FINISH			

DATA GENERAL CORPORATION		SOUTH-BORO, MASSACHUSETTS 01772	
TITLE			
4K MEMORY			
Y DRIVERS			
8103 (NOVA 1200)			
SIZE	CODE	DRAWING NUMBER	REV
D	001	000103	09