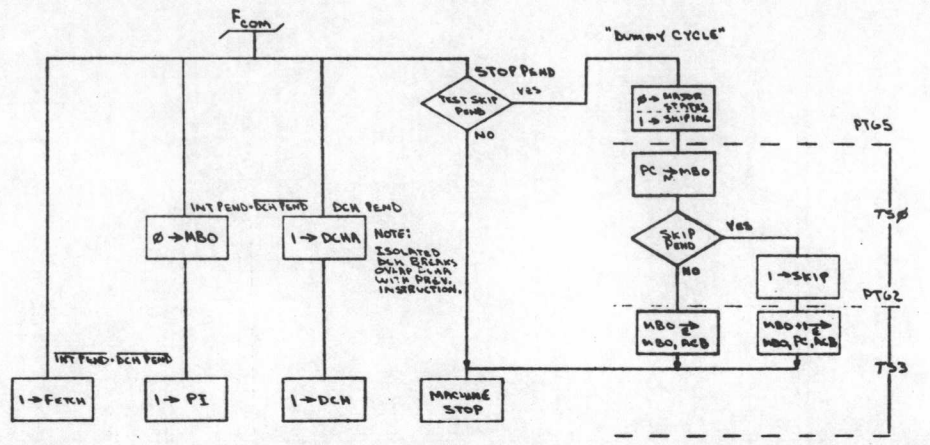
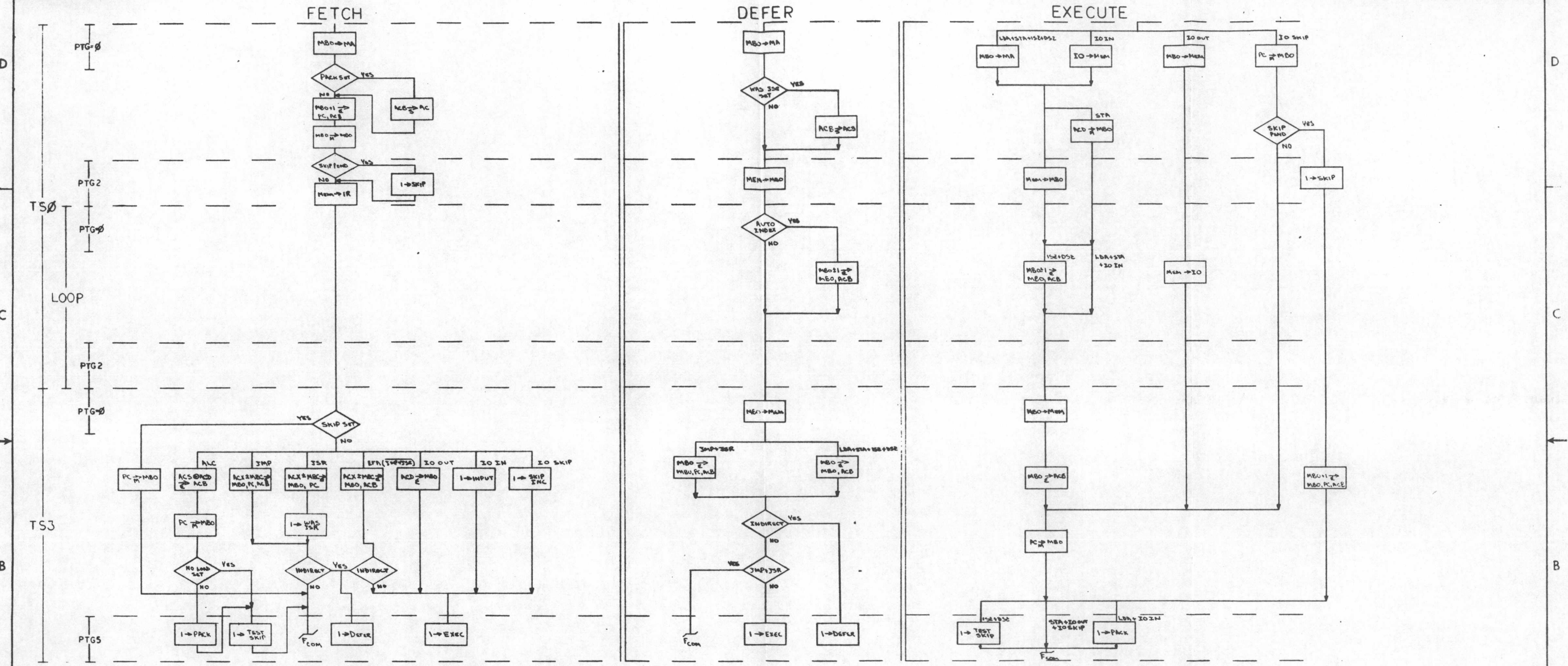


THIS DRAWING AND SPECIFICATIONS HEREON ARE THE PROPERTY OF DATA GENERAL CORPORATION AND SHALL NOT BE REPRODUCED OR COPIED OR USED IN WHOLE OR IN PART AS THE BASIS FOR MANUFACTURE OR SALE OF ITEMS WITHOUT WRITTEN PERMISSION.

REVISIONS				
REV.	DESCRIPTION	DRFTG.	APP. BY	DATE



QTY.	DESCRIPTION	PART NO

DRAWN		DATA GENERAL CORPORATION	
CHECKED		SOUTHBORO, MASSACHUSETTS 01772	
ENGINEER		TITLE	
APPROVED		FLOW CHART 1	
FIRST USED ON		NOVA 1200	
MATERIAL		DRAWING NUMBER	
FINISH		REV	
SIZE	CODE	000106	00
D	001		

