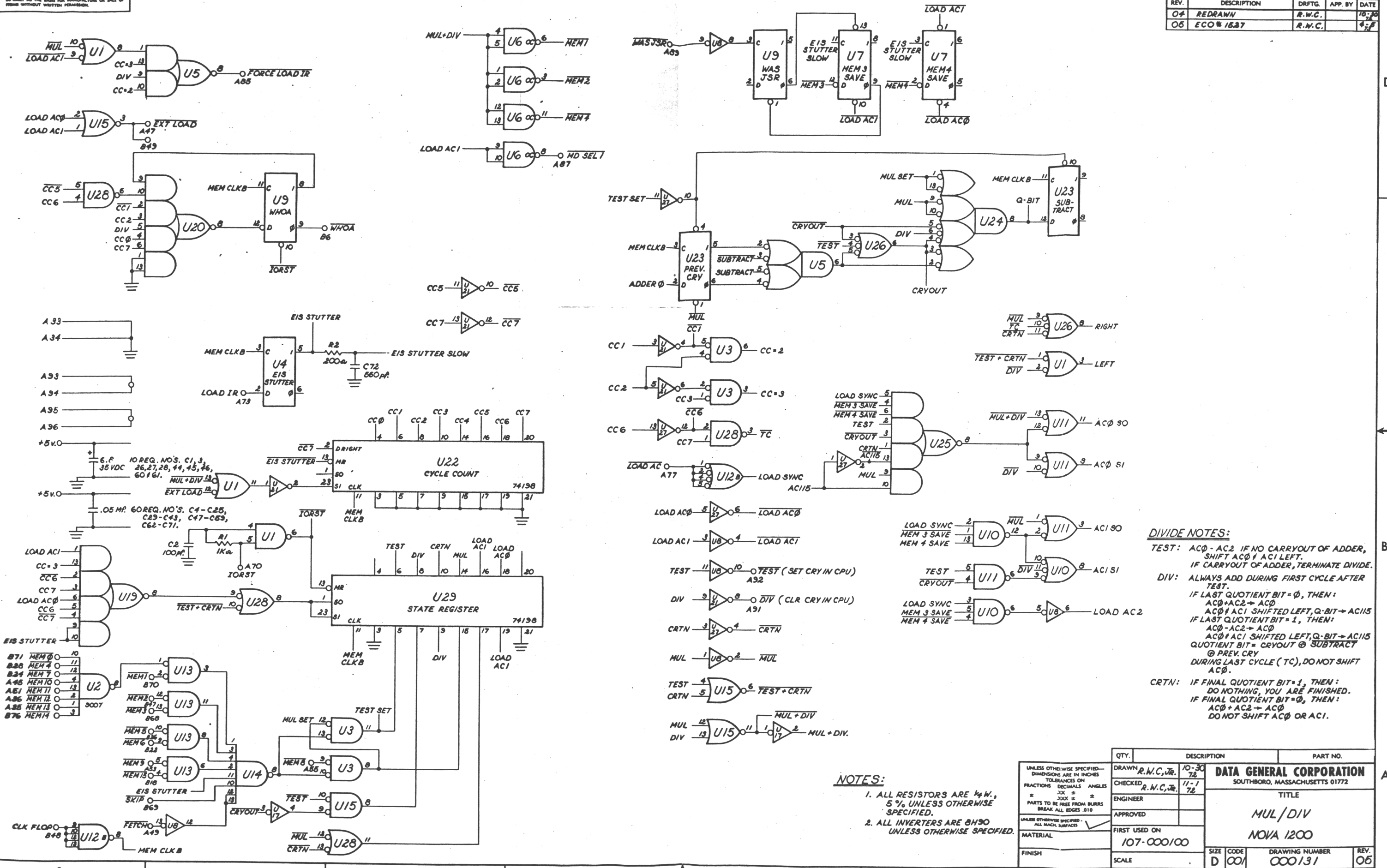


THIS DRAWING AND SPECIFICATIONS, HEREIN, ARE THE PROPERTY OF DATA GENERAL CORPORATION AND SHALL NOT BE REPRODUCED OR COPIED OR USED IN WHOLE OR IN PART AS THE BASIS FOR MANUFACTURE OR SALE OF ITEMS WITHOUT WRITTEN PERMISSION.

REVISIONS				
REV.	DESCRIPTION	DRFTG.	APP. BY	DATE
04	REDRAWN	R.W.C.		10-72
06	ECO # 1827	R.W.C.		4-78



DIVIDE NOTES:

TEST: AC0 - AC2 IF NO CARRYOUT OF ADDER, SHIFT AC0 & AC1 LEFT. IF CARRYOUT OF ADDER, TERMINATE DIVIDE.

DIV: ALWAYS ADD DURING FIRST CYCLE AFTER TEST.

IF LAST QUOTIENT BIT = 0, THEN:
 AC0 + AC2 → AC0
 AC0 & AC1 SHIFTED LEFT, Q-BIT → AC15
 IF LAST QUOTIENT BIT = 1, THEN:
 AC0 - AC2 → AC0
 AC0 & AC1 SHIFTED LEFT, Q-BIT → AC15
 QUOTIENT BIT = CRYOUT ⊕ SUBTRACT ⊕ PREV. CRY
 DURING LAST CYCLE (TC), DO NOT SHIFT AC0.

CRTN: IF FINAL QUOTIENT BIT = 1, THEN:
 DO NOTHING, YOU ARE FINISHED.
 IF FINAL QUOTIENT BIT = 0, THEN:
 AC0 + AC2 → AC0
 DO NOT SHIFT AC0 OR AC1.

NOTES:

1. ALL RESISTORS ARE 1/4 W., 5% UNLESS OTHERWISE SPECIFIED.

2. ALL INVERTERS ARE 8H90 UNLESS OTHERWISE SPECIFIED.

QTY.	DESCRIPTION	PART NO.
	UNLESS OTHERWISE SPECIFIED - DIMENSIONS ARE IN INCHES	
	FRACTIONS DECIMALS ANGLES	
	300K ±	
	PARTS TO BE FREE FROM BURRS	
	BREAK ALL EDGES .010	
	UNLESS OTHERWISE SPECIFIED - ALL MACH SURFACES	
	MATERIAL	
	FINISH	
	DRAWN R.W.C., JR. 10-30	
	CHECKED R.W.C., JR. 11-1	
	ENGINEER	
	APPROVED	
	FIRST USED ON	
	107-000100	
	SCALE	
	SIZE CODE	
	DRAWING NUMBER	
	000131	
	REV	
	06	

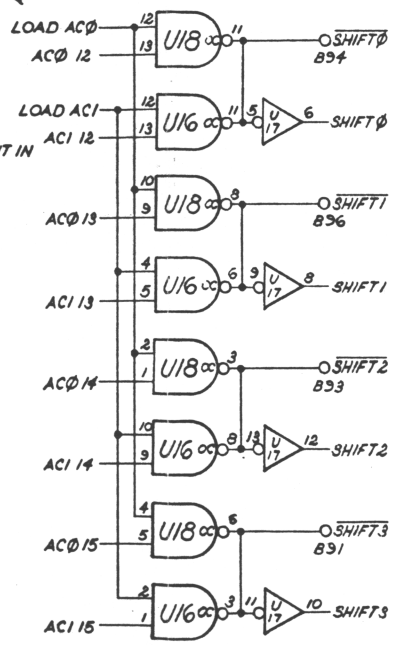
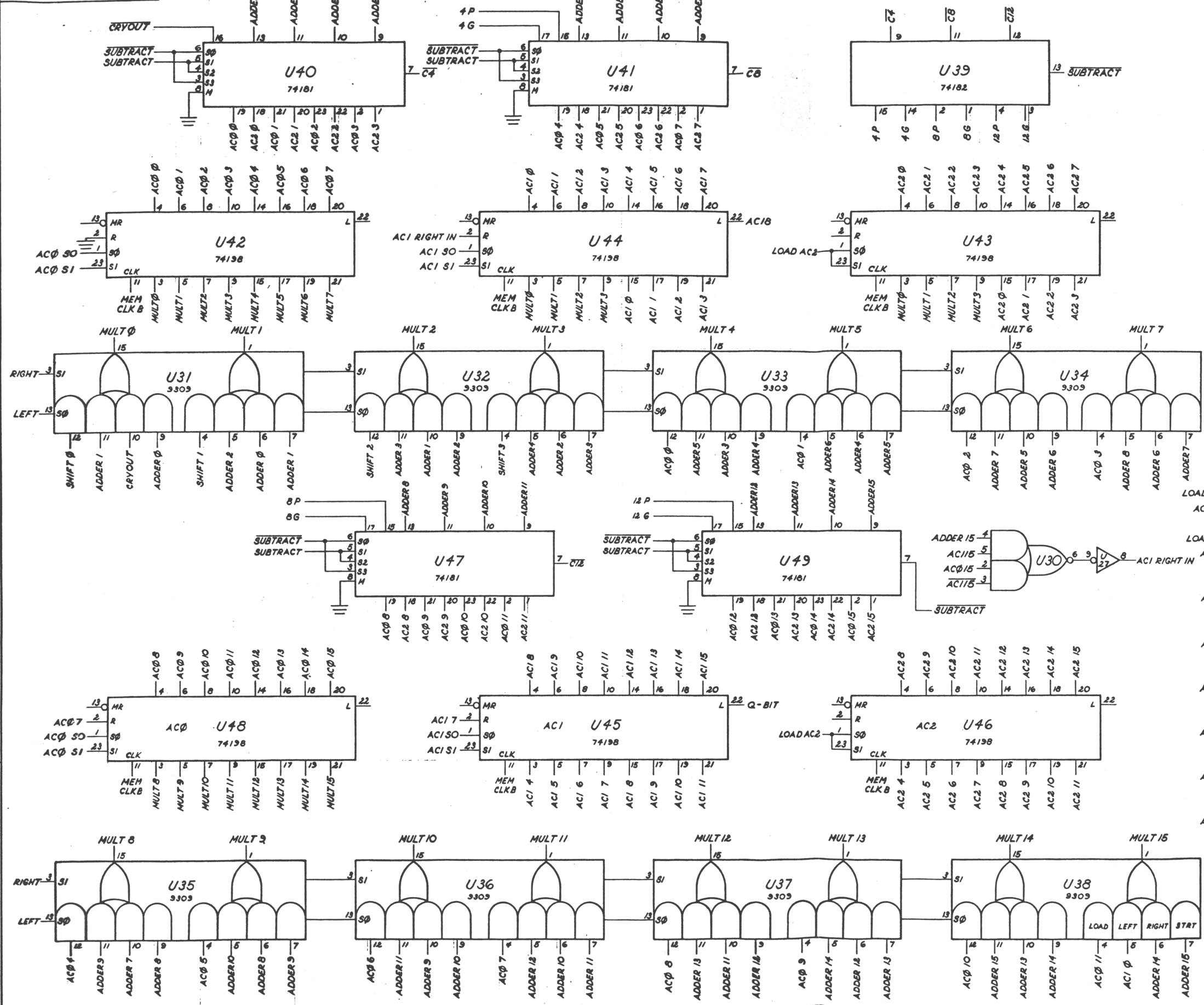
DATA GENERAL CORPORATION
 SOUTHBORO, MASSACHUSETTS 01772

TITLE
MUL/DIV
 NOVA 1200

1 SHEET / OF 2

THIS DRAWING AND SPECIFICATIONS, HEREIN, ARE THE PROPERTY OF DATA GENERAL CORPORATION AND SHALL NOT BE REPRODUCED OR COPIED OR USED IN WHOLE OR IN PART AS THE BASIS FOR MANUFACTURE OR SALE OF ITEMS WITHOUT WRITTEN PERMISSION.

REVISIONS			
REV.	DESCRIPTION	DRFTG.	APP. BY DATE
04	REDRAWN	R.W.C.	11-1/72



QTY.	DESCRIPTION	PART NO.

DRAWN R.W.C., JR. 11-1/72		DATA GENERAL CORPORATION SOUTHBORO, MASSACHUSETTS 01772	
CHECKED R.W.C., JR. 11-1/72			
ENGINEER		TITLE	
APPROVED		MUL / DIV NOVA 1200	
FIRST USED ON		DRAWING NUMBER	
107-000100		000131	
SCALE		SIZE	REV.
		D 001	05