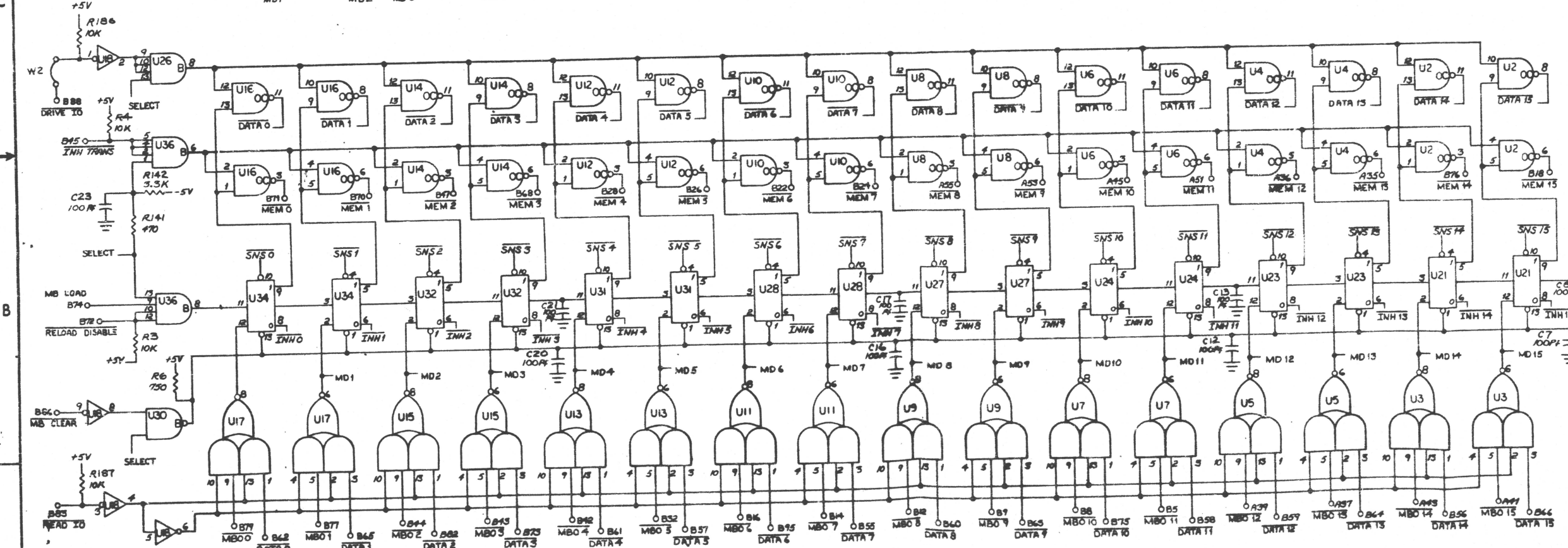
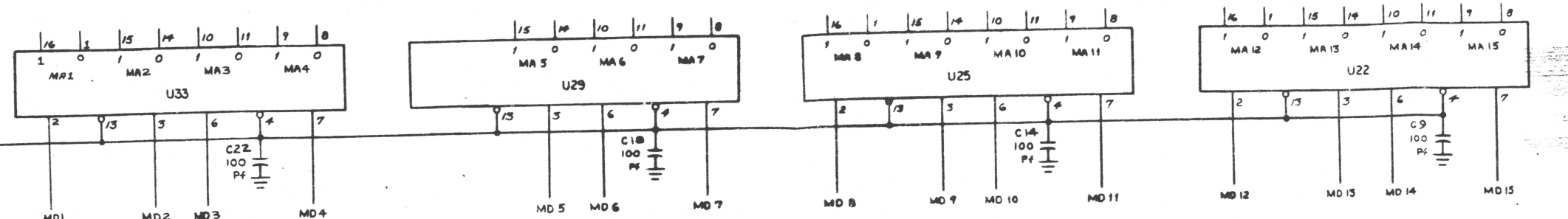
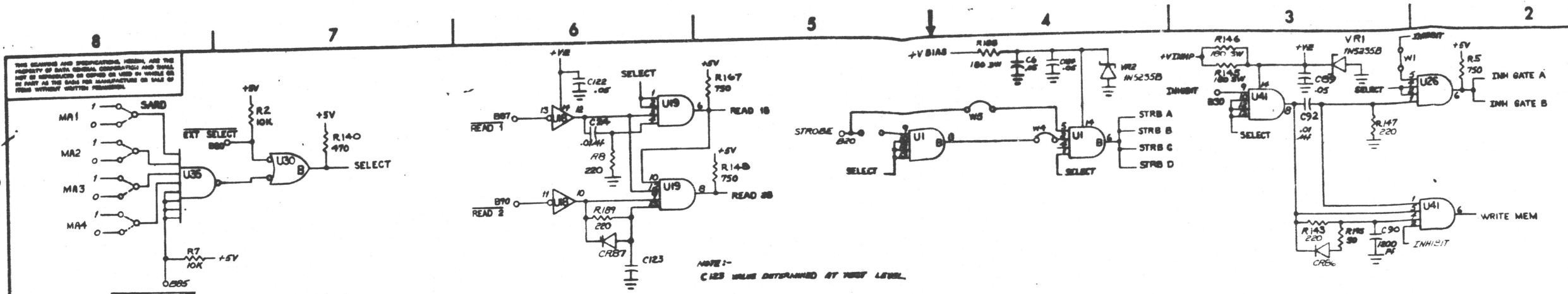


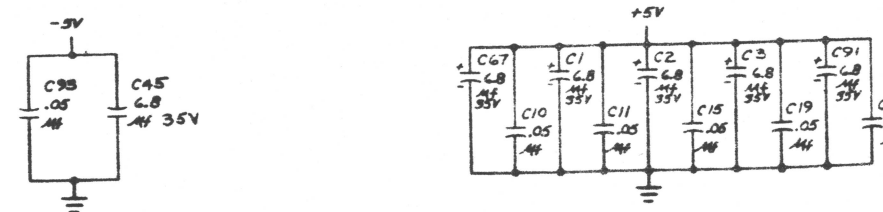
REVISIONS				
REV.	DESCRIPTION	DRAFTG.	APP BY	DATE
01	ECO # 1117	R.W.C.		10-3-64
02	ECO # 1259	R.W.C.		11-1-64
03	ECO # 1402	R.W.C.		1-10-65
04	ECO # 1526	R.W.C.		5-21-65



NOVA 1200

NOTE: ALL CAPACITORS ARE IN MICROFARADS, AND ALL RESISTORS ARE IN OHMS, 1/4 WATT, WITH 5% TOLERANCE UNLESS OTHERWISE SPECIFIED.

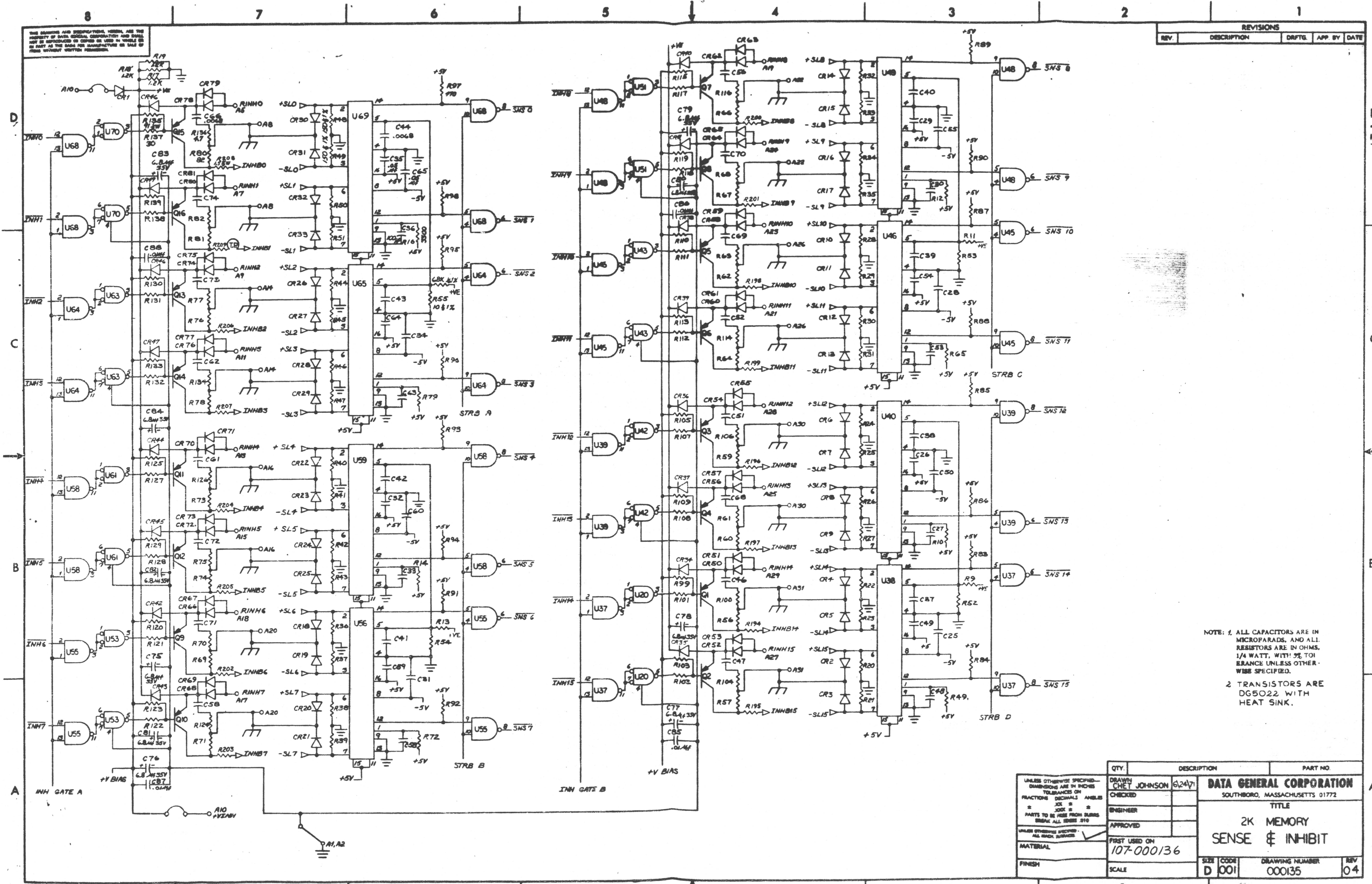
8104



QTY.	DESCRIPTION	PART NO.
	UNLESS OTHERWISE SPECIFIED - DIMENSIONS ARE IN INCHES - TOLERANCES ON FRACTIONS DECIMALS - ANGLES JOX = JOX = PARTS TO BE FREE FROM BURRS - BREAK ALL SHOTS 316	
	UNLESS OTHERWISE SPECIFIED - ALL DIM. SURFACES	
	DRAWN: CHRY JOHNSON	6237
	CHECKED:	
	ENGINEER:	
	APPROVED:	
	FIRST USED ON:	107-000136
	MATERIAL:	
	FINISH:	
	SCALE:	
	DATA GENERAL CORPORATION	
	SOUTH BORO, MASSACHUSETTS 01772	
	TITLE	
	2K MEMORY	
	MA & MB REGISTER & CONTROL	
	SIZE CODE	DRAWING NUMBER
	D	000135
	SCALE	REV
		04

THIS DRAWING AND SPECIFICATIONS, HEREIN, ARE THE PROPERTY OF DATA GENERAL CORPORATION AND SHALL NOT BE REPRODUCED OR COPIED OR USED IN WHOLE OR IN PART AS THE BASIS FOR MANUFACTURE OR SALE OF ITEMS WITHOUT WRITTEN PERMISSION.

REVISIONS			
REV.	DESCRIPTION	DRFTG.	APP. BY DATE



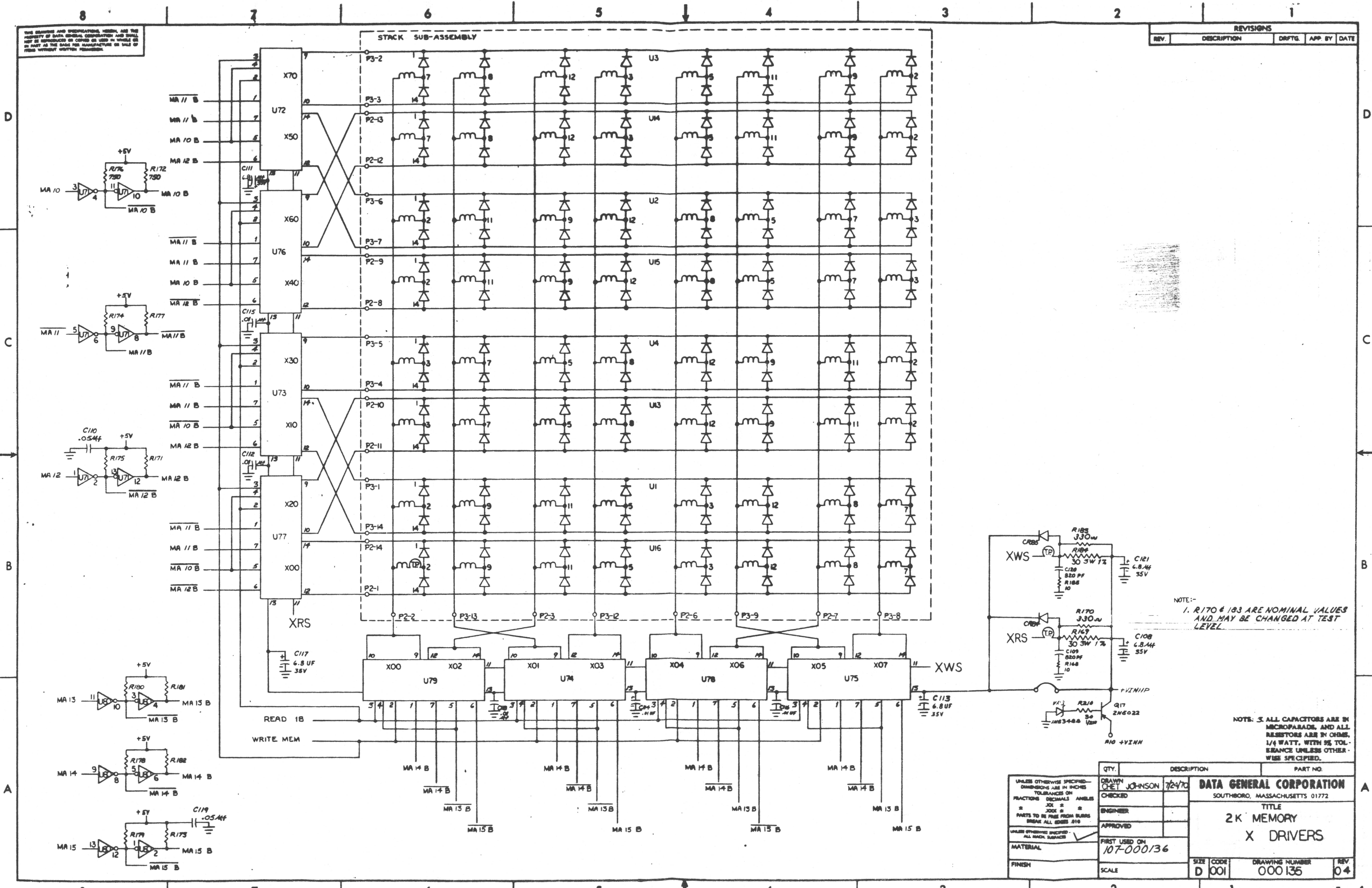
NOTE: 1. ALL CAPACITORS ARE IN MICROFARADS, AND ALL RESISTORS ARE IN OHMS, 1/4 WATT, WITH 5% TOLERANCE UNLESS OTHERWISE SPECIFIED.
 2. TRANSISTORS ARE DG5022 WITH HEAT SINK.

QTY.	DESCRIPTION	PART NO.

UNLESS OTHERWISE SPECIFIED—DIMENSIONS ARE IN INCHES FRACTIONS—DECIMALS—ANGLES * JOE S * JOE S PARTS TO BE HOSE FROM BUNDS BRING ALL SERIAL 910	DRAWN CHET JOHNSON CHECKED ENGINEER APPROVED FIRST USED ON 107-000136 MATERIAL FINISH	6247 DATA GENERAL CORPORATION SOUTHBORO, MASSACHUSETTS 01772 TITLE 2K MEMORY SENSE & INHIBIT SIZE CODE D 001 DRAWING NUMBER 000135 REV 04
---	---	--

THIS DRAWING AND SPECIFICATIONS HEREIN ARE THE PROPERTY OF DATA GENERAL CORPORATION AND SHALL NOT BE REPRODUCED OR COPIED OR USED IN WHOLE OR IN PART AS THE BASIS FOR MANUFACTURE OR SALE OF ITEMS WITHOUT WRITTEN PERMISSION.

REVISIONS			
REV.	DESCRIPTION	DRFTG.	APP. BY DATE



NOTE: 1. R170 & 183 ARE NOMINAL VALUES AND MAY BE CHANGED AT TEST LEVEL.

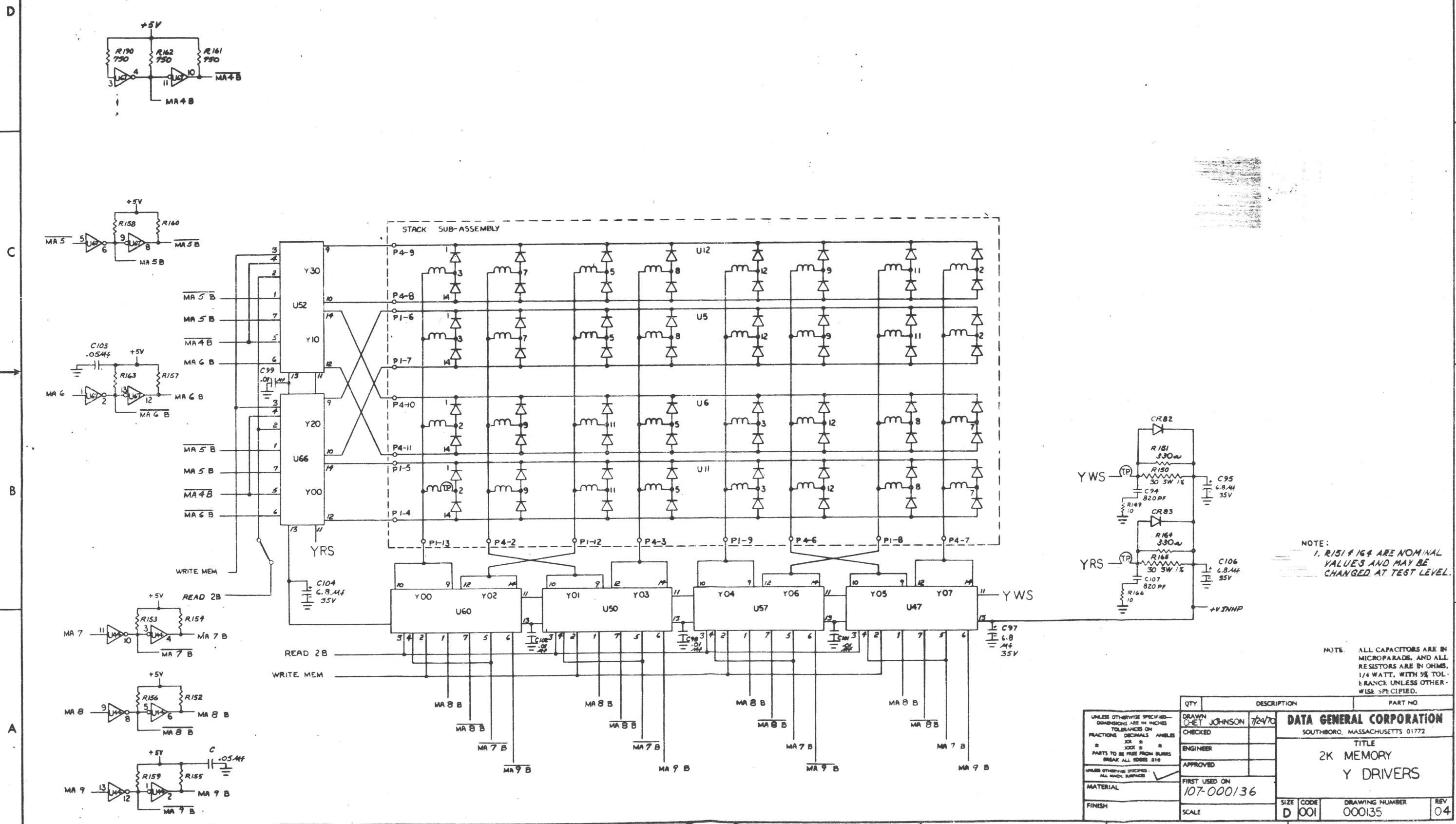
NOTE: 3. ALL CAPACITORS ARE IN MICROFARADS, AND ALL RESISTORS ARE IN OHMS, 1/4 WATT, WITH 5% TOLERANCE UNLESS OTHERWISE SPECIFIED.

QTY.	DESCRIPTION	PART NO.

UNLESS OTHERWISE SPECIFIED: DIMENSIONS ARE IN INCHES FRACTIONS DECIMALS ANGLES	DRAWN CHET JOHNSON 7/24/70	DATA GENERAL CORPORATION SOUTHBORO, MASSACHUSETTS 01772
* JOCK & * PARTS TO BE FREE FROM BURNS BENT ALL SIDES 910	CHECKED	
MATERIAL	ENGINEER	TITLE 2K MEMORY X DRIVERS
FINISH	APPROVED	SIZE CODE D 001
	FIRST USED ON 107-000136	DRAWING NUMBER 000135
	SCALE	REV 04

THIS DRAWING AND SPECIFICATIONS HEREIN ARE THE PROPERTY OF DATA GENERAL CORPORATION AND SHALL NOT BE REPRODUCED OR COPIED OR USED IN WHOLE OR IN PART AS THE BASIS FOR MANUFACTURE OR SALE OF ITEMS WITHOUT WRITTEN PERMISSION.

REVISIONS				
REV	DESCRIPTION	DRFTG	APP BY	DATE



QTY	DESCRIPTION	PART NO

<small>UNLESS OTHERWISE SPECIFIED— DIMENSIONS ARE IN INCHES FRACTIONS DECIMALS ANGLES X01 ± X001 ± PARTS TO BE FREE FROM BURRS BREAK ALL EDGES 310</small>	<small>UNLESS OTHERWISE SPECIFIED— ALL FINISH SURFACES</small>	DATA GENERAL CORPORATION SOUTHBORO, MASSACHUSETTS 01772 TITLE 2K MEMORY Y DRIVERS	DRAWN CHET JOHNSON 7/24/70
CHECKED ENGINEER APPROVED	FIRST USED ON 107-000136	SIZE CODE D 001	DRAWING NUMBER 000135
MATERIAL FINISH	SCALE	REV 04	