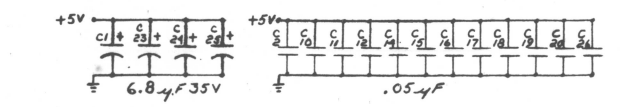
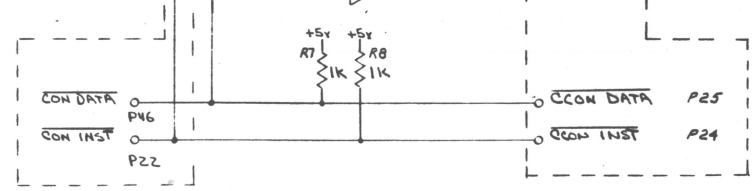
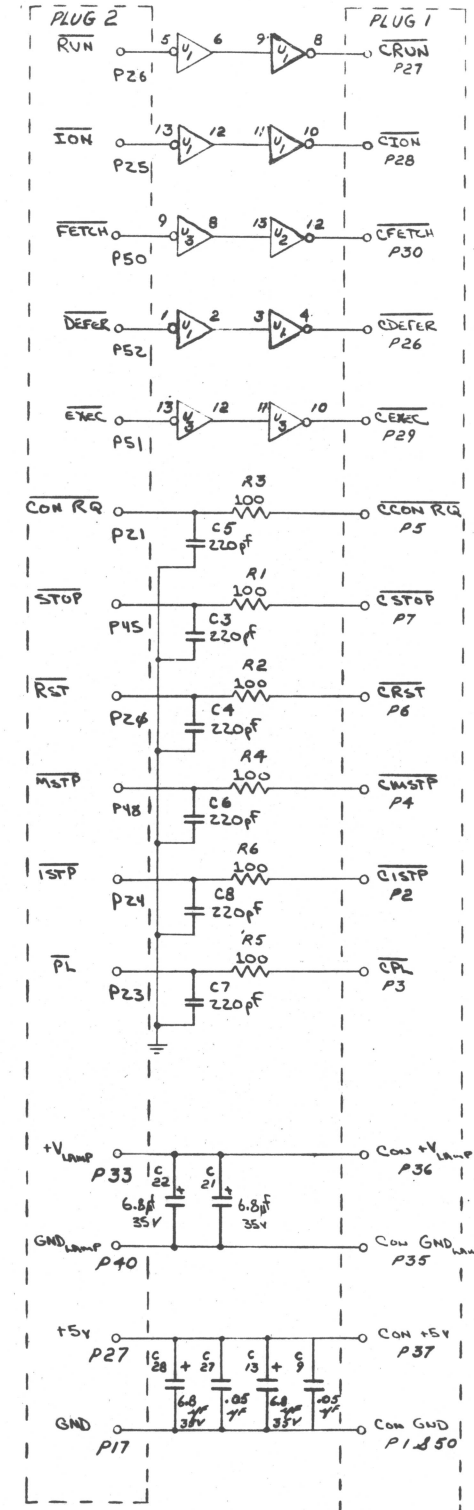
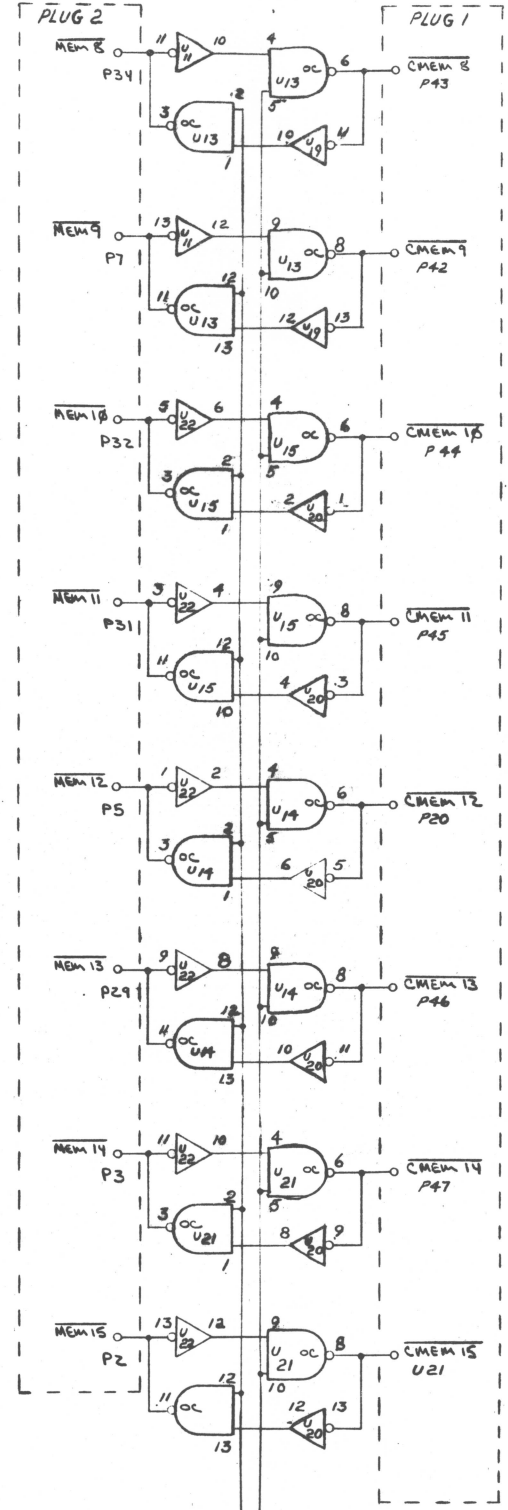
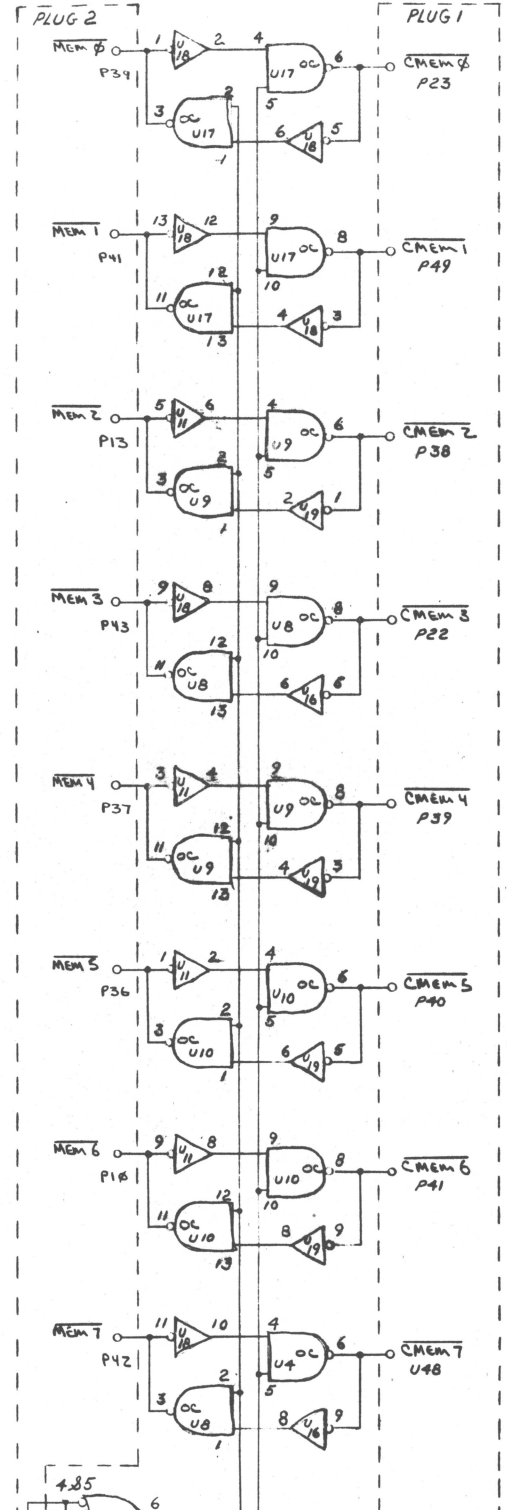
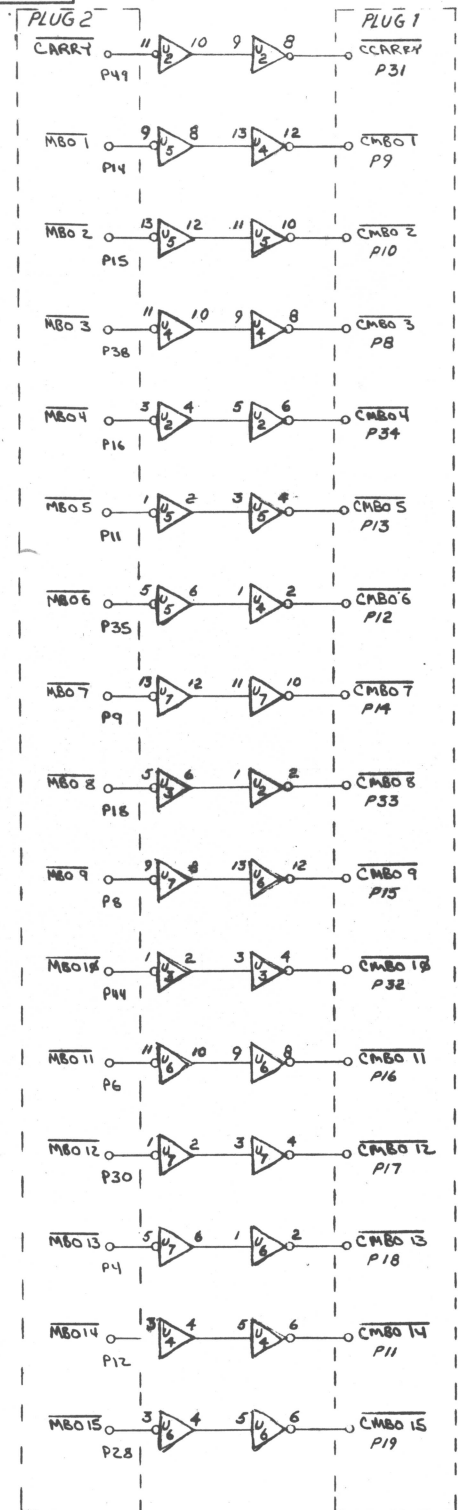


THIS DRAWING AND SPECIFICATIONS, HEREIN, ARE THE PROPERTY OF DATA GENERAL CORPORATION AND SHALL NOT BE REPRODUCED OR COPIED OR USED IN WHOLE OR IN PART AS THE BASIS FOR MANUFACTURE OR SALE OF ITEMS WITHOUT WRITTEN PERMISSION.

REVISIONS			
REV.	DESCRIPTION	DRFTG.	APP. BY DATE



QTY.	DESCRIPTION	PART NO.

DRAWN		<b>DATA GENERAL CORPORATION</b> SOUTHBORO, MASSACHUSETTS 01772 TITLE <b>NOVA 800/1200</b> <b>CONSOLE BUFFER</b>
CHECKED		
ENGINEER		
APPROVED		
MATERIAL		SIZE CODE DRAWING NUMBER REV. D 001 000149 00
FINISH		
SCALE		

8 7 6 5 4 3 2 1

8 7 6 5 4 3 2 1 SHEET 1 OF 1