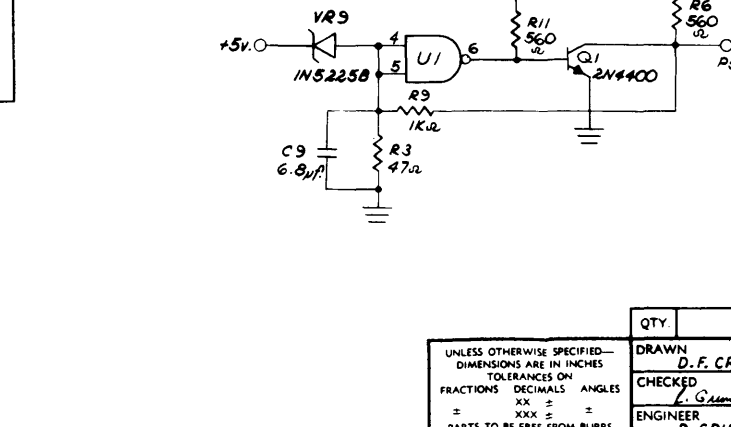
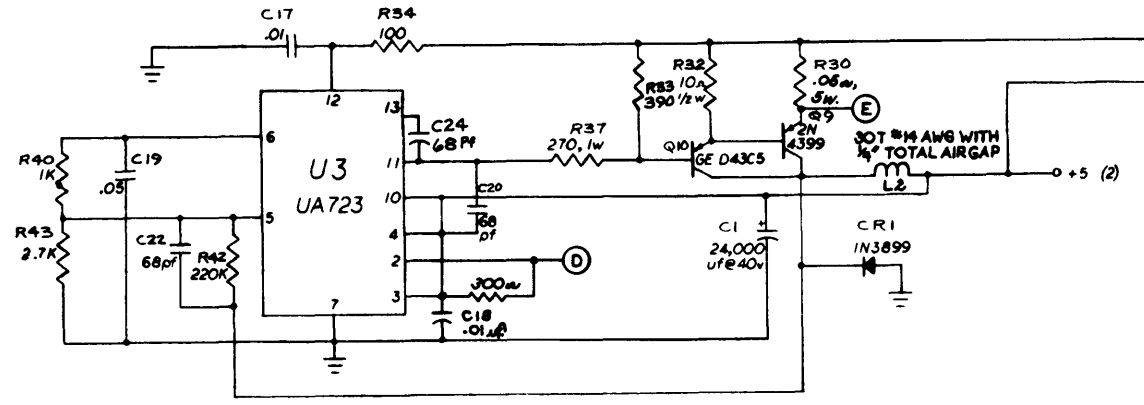
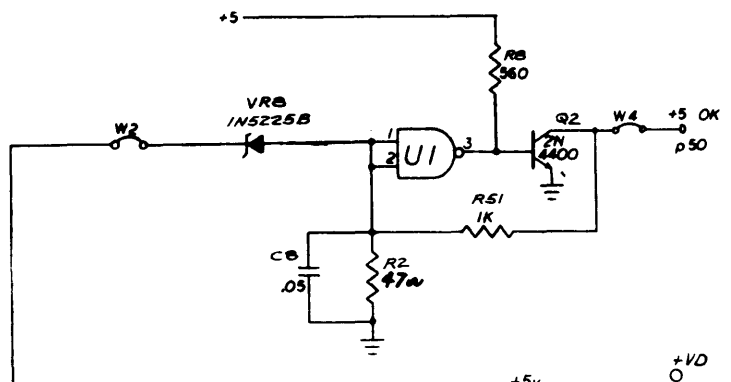
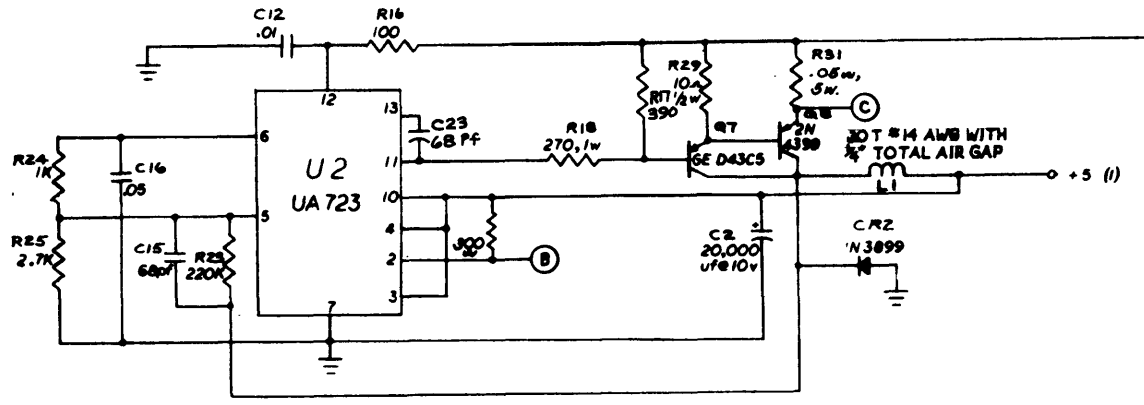
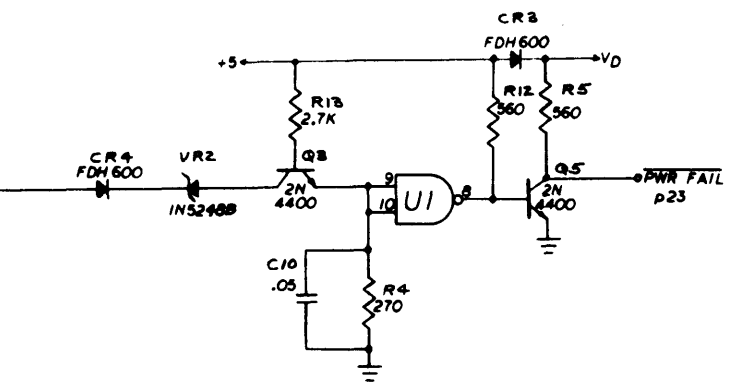
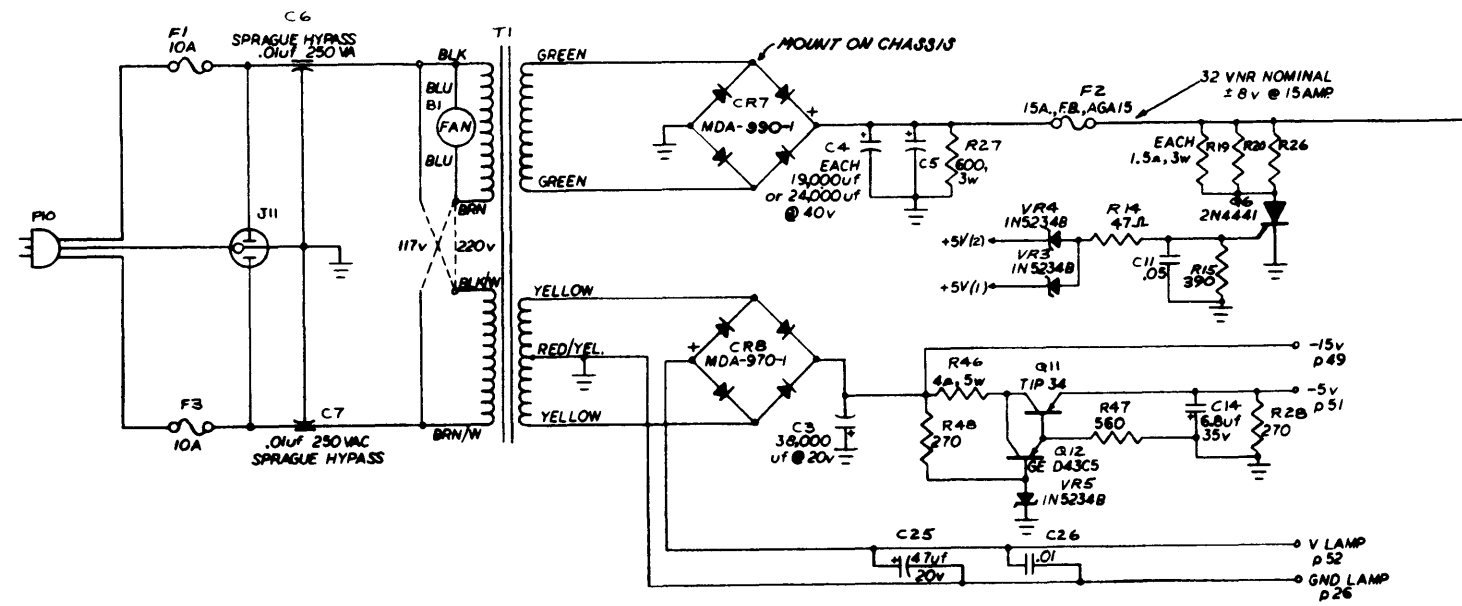
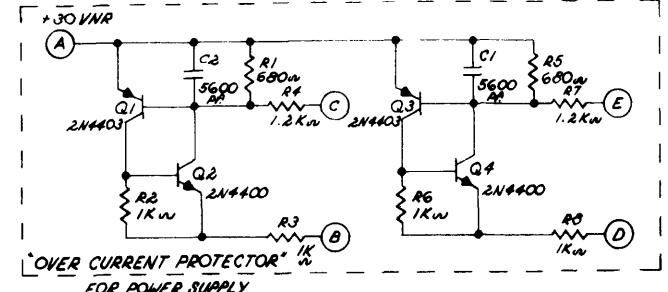


THIS DRAWING AND SPECIFICATIONS, HEREIN, ARE THE PROPERTY OF DATA GENERAL CORPORATION AND SHALL NOT BE REPRODUCED OR COPIED OR USED IN WHOLE OR IN PART AS THE BASIS FOR MANUFACTURE OR SALE OF ITEMS WITHOUT WRITTEN PERMISSION.

REVISIONS				
REV	DESCRIPTION	DRFTG	APP. BY	DATE
01	REVISED & REDRAWN	DR		11-6-71
02	ECO# 801	DR		3/72
03	ECO# 897	DR		3/72
04	ECO# 1034	DR		3/72
05	ECO# 1033	DR		3/72
06	ECO# 1077	DR		3/72
07	ECO# 1235	R.W.C.		12-71
08	ECO# 1535	R.W.C.		3-72
09	ECO# 1717	R.W.C.		7-72



QTY	DESCRIPTION	PART NO
	UNLESS OTHERWISE SPECIFIED—DIMENSIONS ARE IN INCHES TOLERANCES ON FRACTIONS DECIMALS ANGLES	
	XX ±	
	XXX ±	
	PARTS TO BE FREE FROM BURRS BREAK ALL EDGES 010	
	UNLESS OTHERWISE SPECIFIED ALL MACH SURFACES	
	MATERIAL	
	FINISH	
	DRAWN D.F. CRAFT 11-16-71	
	CHECKED L. G. 11/17/71	
	ENGINEER R. GRUNER 11-16-71	
	APPROVED	
	FIRST USED ON 2048	
	107-000079	
	SIZE CODE D 001	
	DRAWING NUMBER 000148	
	REV 09	

**DATA GENERAL CORPORATION**  
SOUTHBORO, MASSACHUSETTS 01772

TITLE  
**800/1200 DUAL+5 POWER SUPPLY**