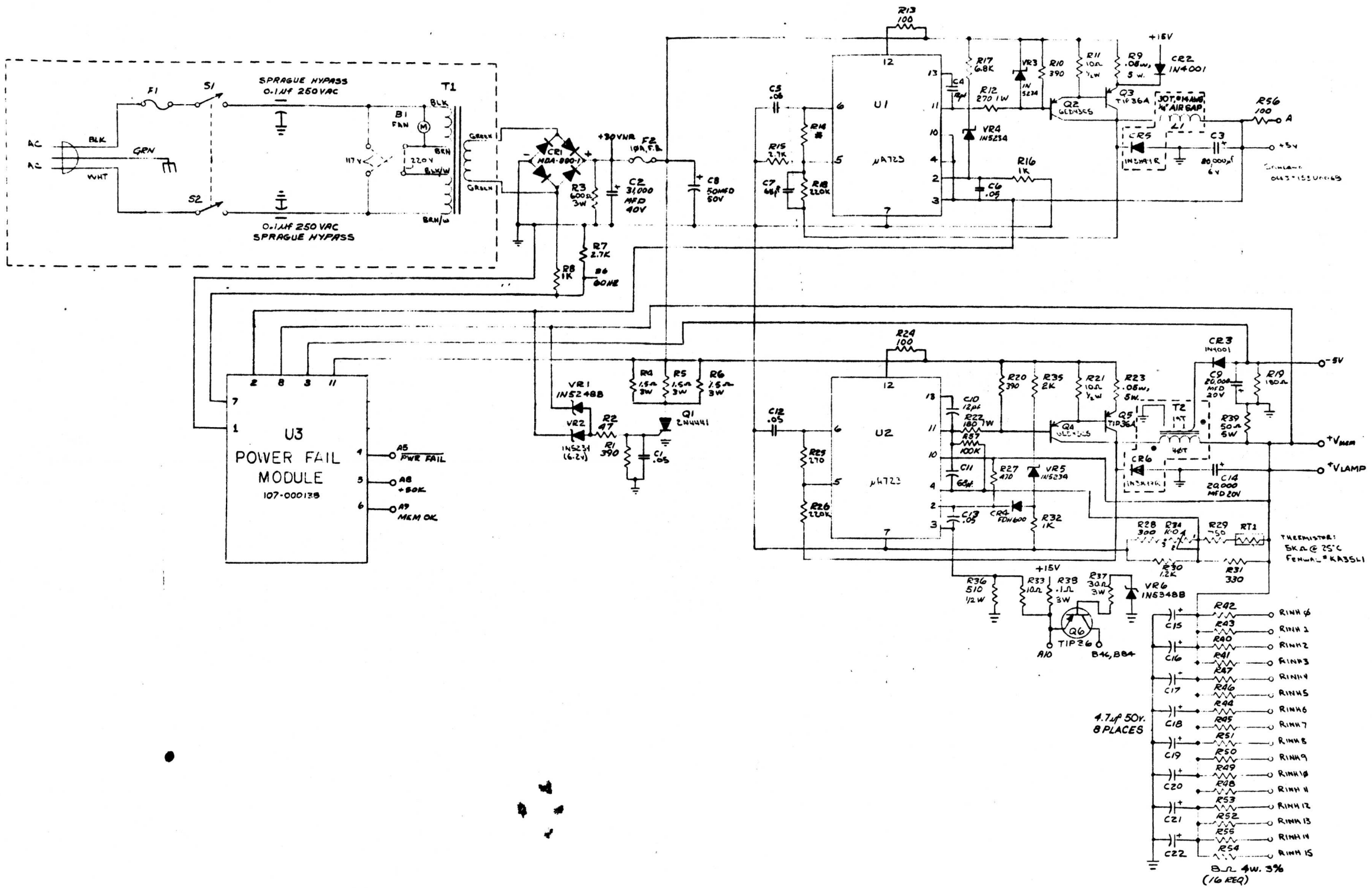


ALL DIMENSIONS AND TOLERANCES ARE THE PROPERTY OF DATA GENERAL CORPORATION AND SHALL NOT BE REPRODUCED OR TRANSMITTED IN ANY FORM OR BY ANY MEANS, ELECTRONIC OR MECHANICAL, INCLUDING PHOTOCOPYING, RECORDING, OR BY ANY INFORMATION STORAGE AND RETRIEVAL SYSTEM, WITHOUT WRITTEN PERMISSION.

REVISIONS				
REV	DESCRIPTION	DRFTG	APP BY	DATE
01	EEU PER NKL PRINT	RWC		1/1/72
02	REV PER ECO # B09	FWS		1-2-72
03	REV PER ECO # B29	WJD		3-17-72
04	ECO # 1052 CHANGE OF VALUE G.B.L. PLACES TO 4.7M 50V 8 PLACES.	RWC		10-16-72
05	ECO # 1157 CHANGE OF VALUE B.W. 3W 3% (1/6 REQ) TO B.W. 4W 3% (1/6 REQ)	R.W.C.		10-16-72
06	ECO # 1478	R.W.C.		3-21-73
07	ECO # 1556	R.W.C.		10-16-72
08	ECO # 1943	R.W.C.		10-16-72
09	ECO # 2188	R.W.C.		1-17-73
10	ECO # 2211	R.W.C.		1-17-73
11	ECO # 2363	R.W.C.		9-18-78



NOTES:
1. * RESISTOR VALUES SELECTED AT TEST.

UNLESS OTHERWISE SPECIFIED— DIMENSIONS ARE IN INCHES TOLERANCES ON FRACTIONS DECIMALS ANGLES		QTY	DESCRIPTION	PART NO
DRAWN R. SMITH				
CHECKED				
ENGINEER E. GRUNER				
APPROVED				
MATERIAL		FIRST USED ON	1210	
FINISH		107-000109		
		SCALE		
		SIZE CODE	D 001	
		DRAWING NUMBER	000172	
		REV	11	

DATA GENERAL CORPORATION
SOUTH BORDO MASSACHUSETTS 01772
TITLE
BACK PNL 1210
POWER SUPPLY