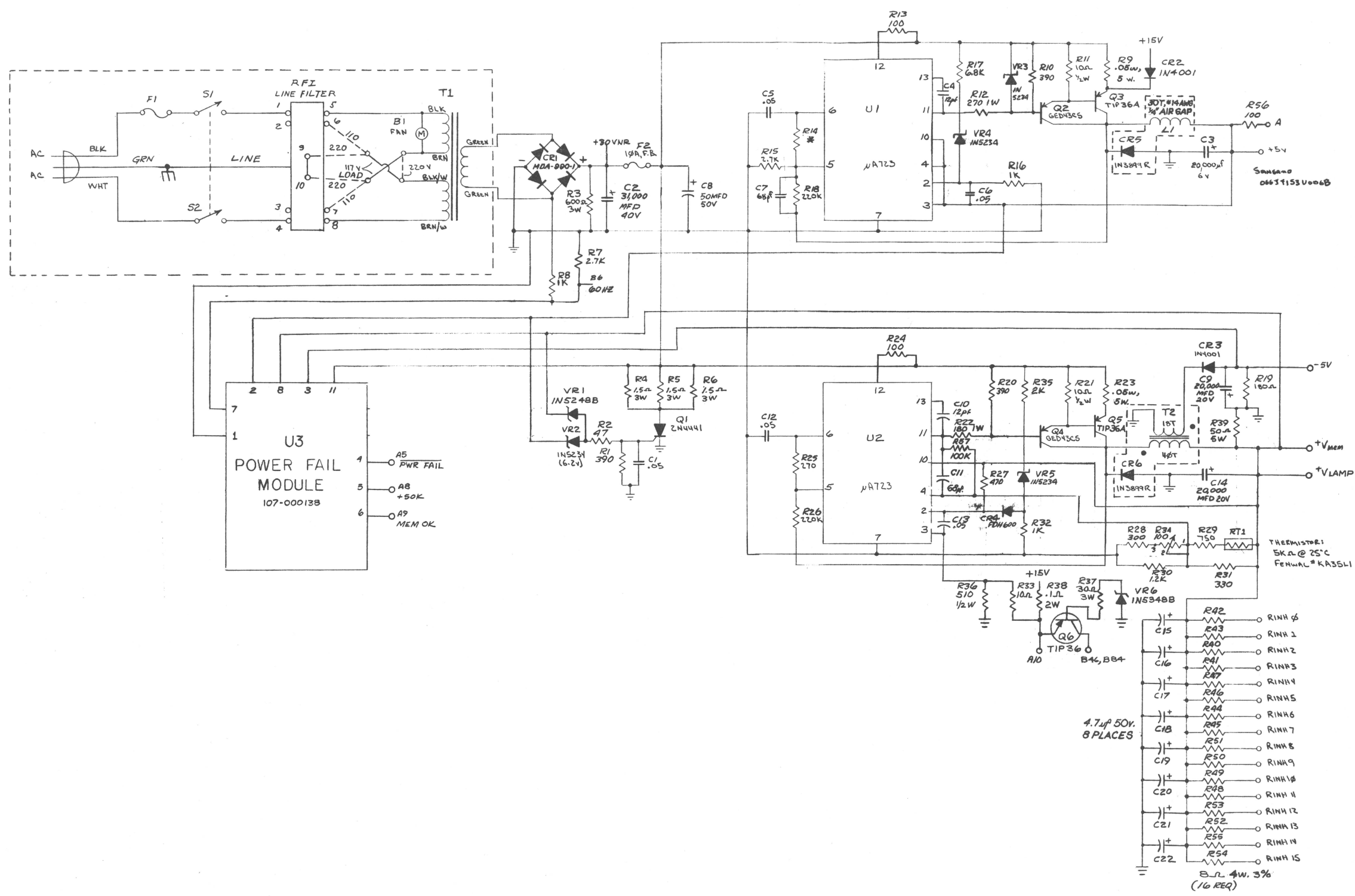


THIS DRAWING AND SPECIFICATIONS, HEREIN, ARE THE PROPERTY OF DATA GENERAL CORPORATION AND SHALL NOT BE REPRODUCED OR COPIED OR USED IN WHOLE OR IN PART AS THE BASIS FOR MANUFACTURE OR SALE OF ITEMS WITHOUT WRITTEN PERMISSION.

REVISIONS				
REV.	DESCRIPTION	DRFTG.	APP. BY	DATE
01	REV PER MKD PRINT	RHS		1/28/71
02	REV PER ECO # 809	RHS		1-21-72
03	REV PER ECO # 829	MDS		3-17-72
04	ECO # 1052 CHANGE OF VALUE 6.8 μ F 8 PLACES TO 4.7 μ F 50V 8 PLACES	R.W.C.		10-16-72
05	ECO # 1157 CHANGE OF VALUE 8 μ W 3% (16 REQ) TO 8 μ W 3% (16 REQ)	R.W.C.		10-16-72
06	ECO # 1478	R.W.C.		3-21-73
07	ECO # 1556	R.W.C.		10-16-73
08	ECO # 1943	R.W.C.		10-16-73
09	ECO # 2199	R.W.C.		1-17-74
10	ECO # 2211	R.W.C.		1-17-74
11	ECO # 2363	R.W.C.		4-10-74
12	ECO # 2521	G.W.M.		7-5-74
13	ECO # 2876	RFJ/BT		12-16-74



NOTES:
1. * RESISTOR VALUES SELECTED AT TEST.

UNLESS OTHERWISE SPECIFIED— DIMENSIONS ARE IN INCHES TOLERANCES ON FRACTIONS DECIMALS ANGLES ± .010 ± .005 ± .002 PARTS TO BE FREE FROM BURRS BREAK ALL EDGES .010		DRAWN R SMITH CHECKED ENGINEER R GEUNER APPROVED FIRST USED ON 1210 MATERIAL 107-000109 FINISH	QTY. DESCRIPTION PART NO. DATA GENERAL CORPORATION SOUTHBORO, MASSACHUSETTS 01772 TITLE BACK PNL 1210 POWER SUPPLY SIZE CODE DRAWING NUMBER REV. D 001 000172 13
--	--	--	--