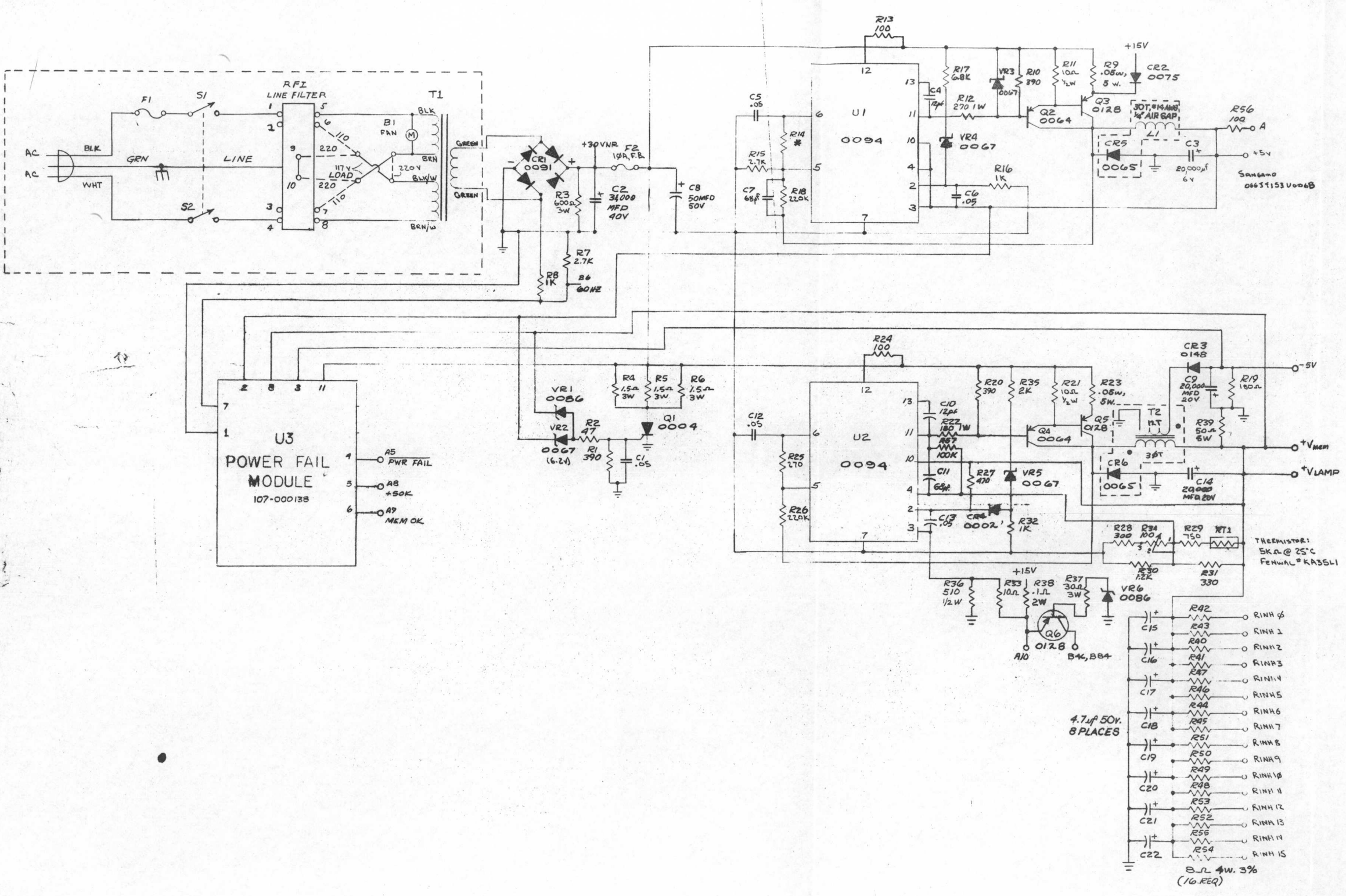


THIS DRAWING AND SPECIFICATIONS HEREIN, ARE THE PROPERTY OF DATA GENERAL CORPORATION AND SHALL NOT BE REPRODUCED OR COPIED OR USED IN WHOLE OR IN PART AS THE BASIS FOR MANUFACTURE OR SALE OF ITEMS WITHOUT WRITTEN PERMISSION.

REVISIONS				
REV.	DESCRIPTION	DRFTG.	APP BY	DATE
01	REV PER MKD PRINT	RHS		1/24/71
02	REV PER ECO # 809	RHS		1-21-72
03	REV PER ECO # 829	RHS		3-17-72
04	ECO # 1052 CHANGE OF VALUE 6.8K 8 PLACES TO 2.7K 8 PLACES	R.W.C.		10-16-72
05	ECO # 1157 CHANGE OF VALUE 8.2K 3% (1/6 REQ) TO 8.2K 1% (1/6 REQ)	R.W.C.		10-16-72
06	ECO # 1478	R.W.C.		3-21-73
07	ECO # 1556	R.W.C.		10-16-72
08	ECO # 1943	R.W.C.		10-16-72
09	ECO # 2198	R.W.C.		1-17-73
10	ECO # 2211	R.W.C.		1-17-73
11	ECO # 2363	R.W.C.		9-18-72
12	ECO # 2521	G.W.M.		7-24-74
13	ECO # 2876	RHS		12-16-74
14	ECO # 3849	RHS		11/75



NOTES:
1. * RESISTOR VALUES SELECTED AT TEST.

NMC		QTY.	DESCRIPTION	PART NO.
UNLESS OTHERWISE SPECIFIED—DIMENSIONS ARE IN INCHES	DRAWN	R. SMITH	DATA GENERAL CORPORATION	
TOLERANCES ON FRACTIONS DECIMALS ANGLES	CHECKED		SOUTHBORO, MASSACHUSETTS 01772	
XX = ±	ENGINEER	R. GRUVER	TITLE	
XXX = ±	APPROVED		BACK PNL 1210	
PARTS TO BE FREE FROM BURRS BREAK ALL EDGES .010	FIRST USED ON	1210	POWER SUPPLY	
UNLESS OTHERWISE SPECIFIED—ALL MACH SURFACES	MATERIAL	107-000109	SIZE	CODE
	FINISH		D	001
	SCALE		DRAWING NUMBER	REF.
			000172	14