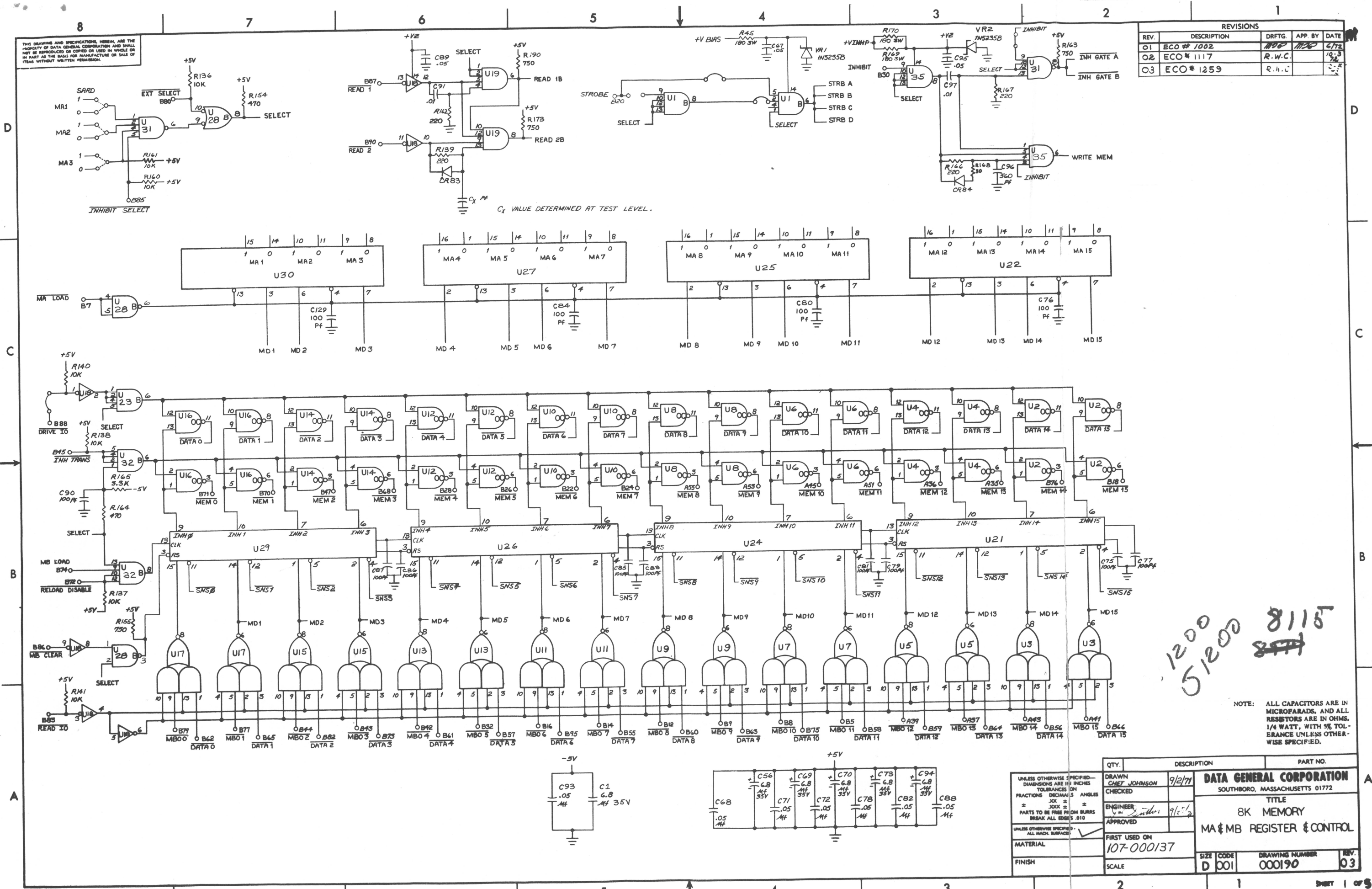


THIS DRAWING AND SPECIFICATIONS HEREIN, ARE THE PROPERTY OF DATA GENERAL CORPORATION AND SHALL NOT BE REPRODUCED OR COPIED OR USED IN WHOLE OR IN PART AS THE BASIS FOR MANUFACTURE OR SALE OF ITEMS WITHOUT WRITTEN PERMISSION.

REVISIONS				
REV.	DESCRIPTION	DRFTG.	APP. BY	DATE
01	ECO # 1002	M.S.	M.S.	6/72
02	ECO # 1117	R.W.C.		10/73
03	ECO # 1259	R.H.C.		1/74



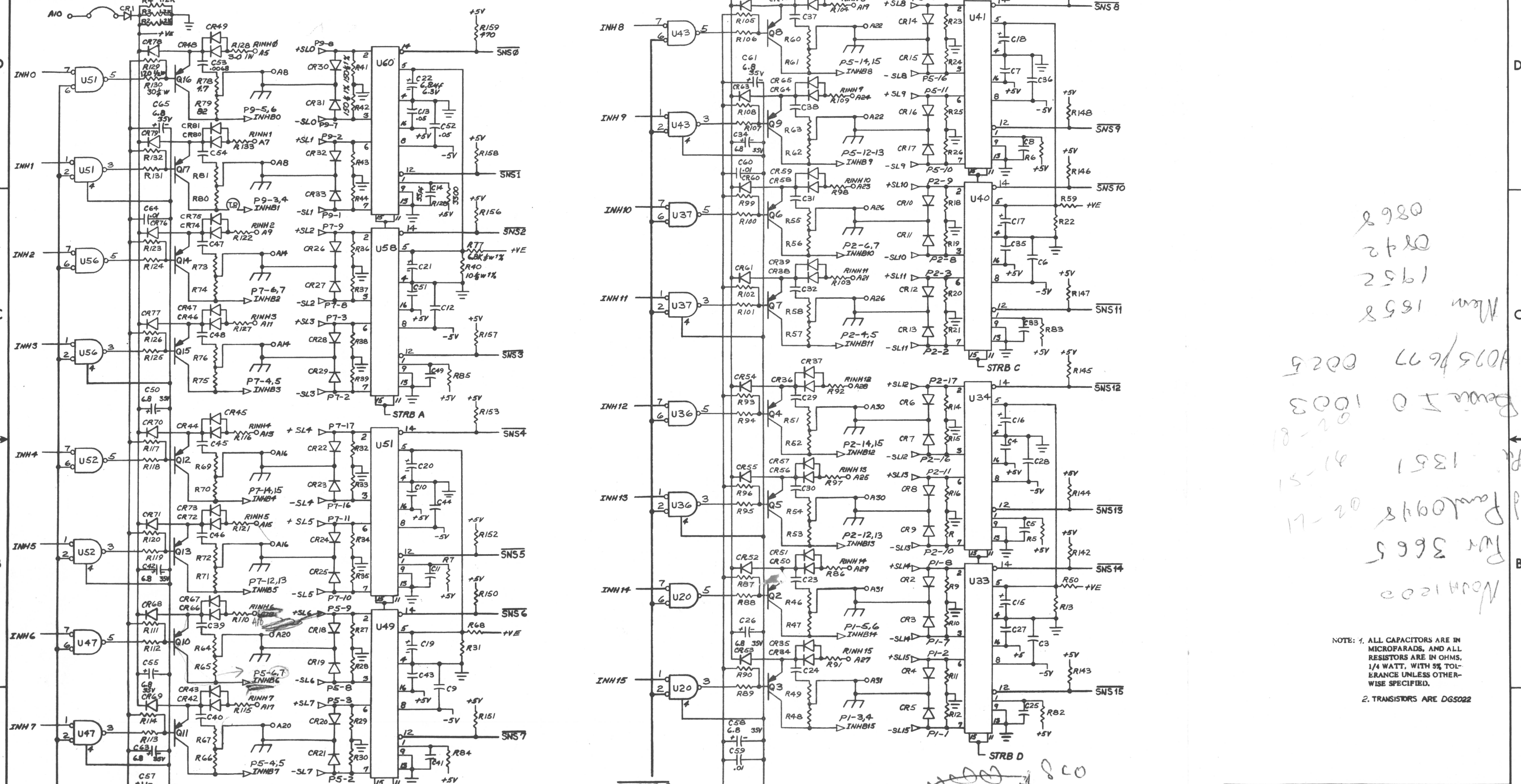
1200  
51200  
8115

NOTE: ALL CAPACITORS ARE IN MICROFARADS, AND ALL RESISTORS ARE IN OHMS, 1/4 WATT, WITH 5% TOLERANCE UNLESS OTHERWISE SPECIFIED.

QTY.	DESCRIPTION	PART NO.
	<b>DRAWN</b> CHET JOHNSON 9/2/77	<b>DATA GENERAL CORPORATION</b>
	<b>CHECKED</b>	SOUTHBORO, MASSACHUSETTS 01772
	<b>ENGINEER</b> J.W. JOHNSON 9/15/77	<b>TITLE</b>
	<b>APPROVED</b>	8K MEMORY
	<b>FIRST USED ON</b> 107-000137	MA & MB REGISTER & CONTROL
<b>MATERIAL</b>	<b>SIZE</b> CODE	<b>DRAWING NUMBER</b>
<b>FINISH</b>	D 001	000190
	<b>SCALE</b>	<b>REV.</b> 03

THIS DRAWING AND SPECIFICATIONS, HEREIN, ARE THE PROPERTY OF DATA GENERAL CORPORATION AND SHALL NOT BE REPRODUCED OR COPIED OR USED IN WHOLE OR IN PART AS THE BASIS FOR MANUFACTURE OR SALE OF ITEMS WITHOUT WRITTEN PERMISSION.

REVISIONS			
REV.	DESCRIPTION	DRFTG.	APP. BY DATE



Handwritten notes in the right margin:

- 2980
- 2120
- 2511
- 1952
- 1858
- New
- 1075/67 0025
- Beau I 0 1003
- 18-20
- 15-14 1351
- 17-20 10948 02-11
- For 3665
- Nov 1200

NOTE: 1. ALL CAPACITORS ARE IN MICROFARADS, AND ALL RESISTORS ARE IN OHMS, 1/4 WATT, WITH 5% TOLERANCE UNLESS OTHERWISE SPECIFIED.  
2. TRANSISTORS ARE DG5022

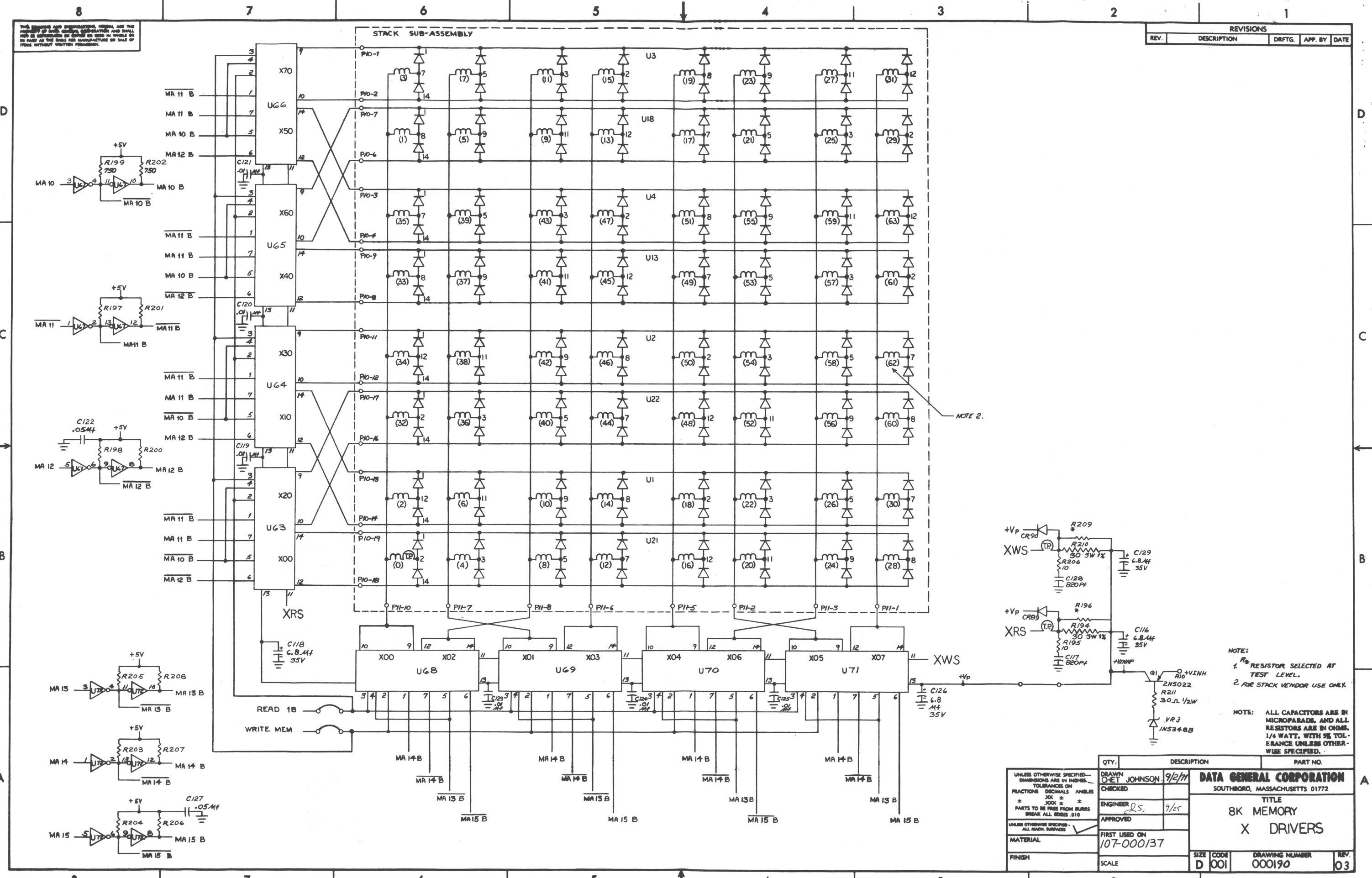
QTY.	DESCRIPTION	PART NO.

UNLESS OTHERWISE SPECIFIED— DIMENSIONS ARE IN INCHES TOLERANCES (IN FRACTIONS DECIMALS (IN ANGLES JOK * * * PARTS TO BE FREE FROM BURRS BREAK ALL EDGES) .010 UNLESS OTHERWISE SPECIFIED— ALL MACH. SURFACES MATERIAL FINISH	DRAWN CHET JOHNSON 9/2/71 CHECKED ENGINEER 25. 9/15 APPROVED FIRST USED ON 107-000137 SCALE	<b>DATA GENERAL CORPORATION</b> SOUTHBORO, MASSACHUSETTS 01772 TITLE <b>8K MEMORY SENSE &amp; INHIBIT</b> SIZE CODE D 001 DRAWING NUMBER 000190 REV. 03
---------------------------------------------------------------------------------------------------------------------------------------------------------------------------------------------------------------------------------------------------------	------------------------------------------------------------------------------------------------------------------------	----------------------------------------------------------------------------------------------------------------------------------------------------------------------------------------

THIS DRAWING AND INFORMATION HEREON ARE THE PROPERTY OF DATA GENERAL CORPORATION AND SHALL NOT BE REPRODUCED OR USED IN WHOLE OR IN PART AS THE BASIS FOR MANUFACTURE OR SALE OF ITEMS WITHOUT WRITTEN PERMISSION.

REVISIONS			
REV.	DESCRIPTION	DRAFTG.	APP. BY DATE



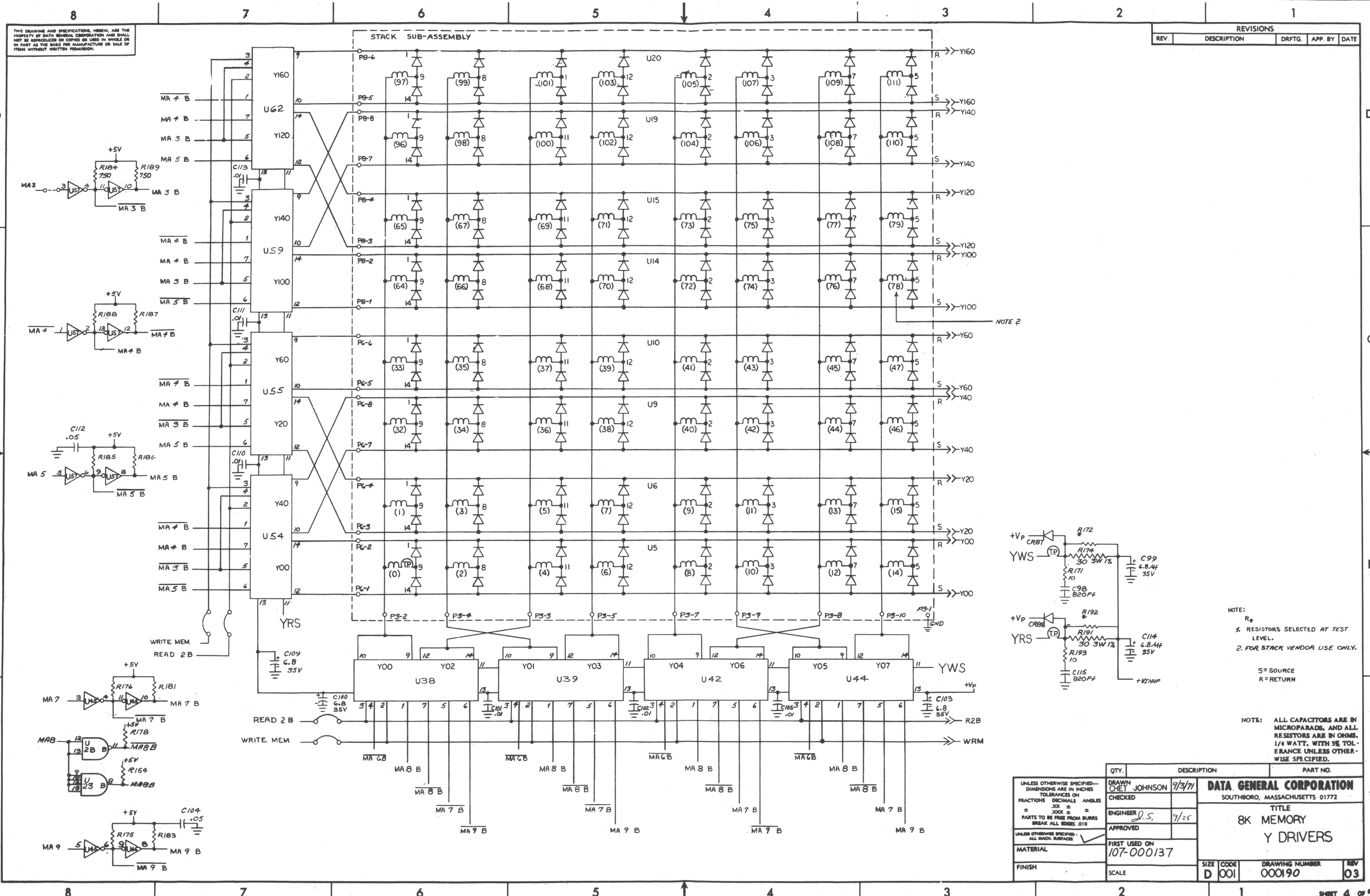
NOTE:  
 1. R<sub>209</sub> RESISTOR SELECTED AT TEST LEVEL.  
 2. FOR STACK VENDOR USE ONLY.

NOTE: ALL CAPACITORS ARE IN MICROFARADS, AND ALL RESISTORS ARE IN OHMS. 1/4 WATT, WITH 5% TOLERANCE UNLESS OTHERWISE SPECIFIED.

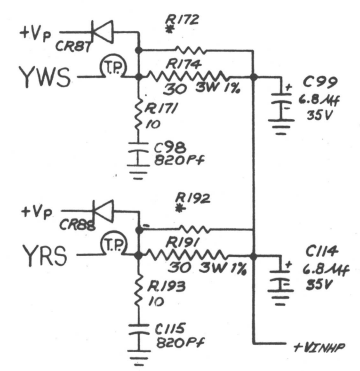
QTY.	DESCRIPTION	PART NO.

UNLESS OTHERWISE SPECIFIED— DIMENSIONS ARE IN INCHES. TOLERANCES ON FRACTIONS DECIMALS ANGLES CHECKED JOK ± JOK ± PARTS TO BE FREE FROM BURRS BREAK ALL EDGES .010	DRAWN CHET JOHNSON 9/2/77	9/2/77	<b>DATA GENERAL CORPORATION</b> SOUTHBORO, MASSACHUSETTS 01772
UNLESS OTHERWISE SPECIFIED— ALL HATCH SURFACES	ENGINEER R.S. 9/25	9/25	TITLE <b>8K MEMORY X DRIVERS</b>
MATERIAL	APPROVED	FIRST USED ON 107-000137	SIZE CODE D 001
FINISH	SCALE	DRAWING NUMBER 000190	REV. 03



REVISIONS				
REV.	DESCRIPTION	DRFTG.	APP. BY	DATE



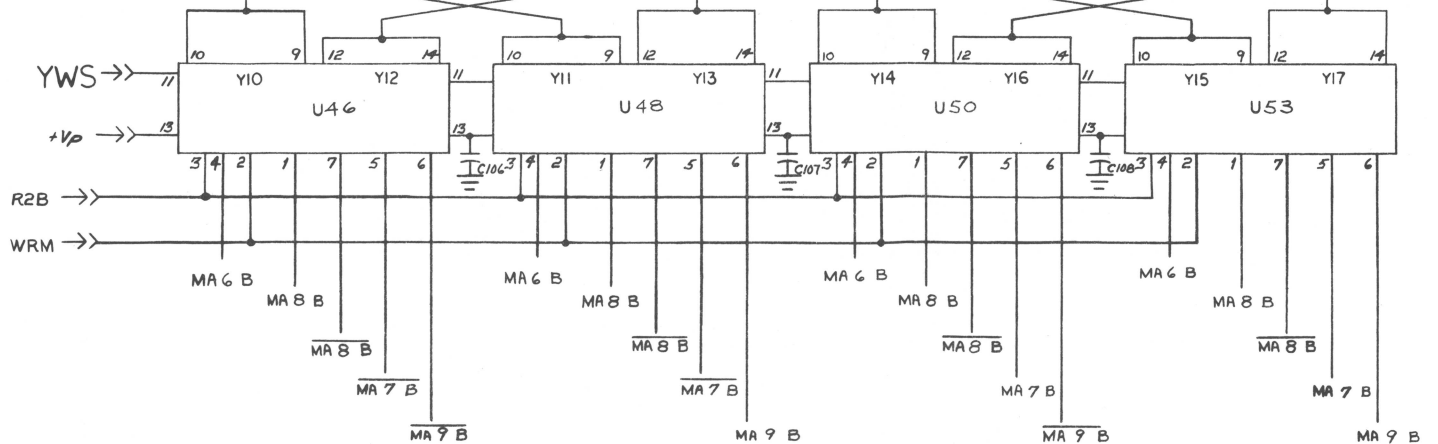
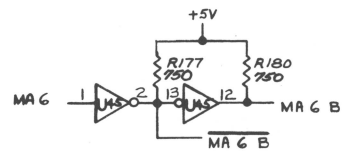
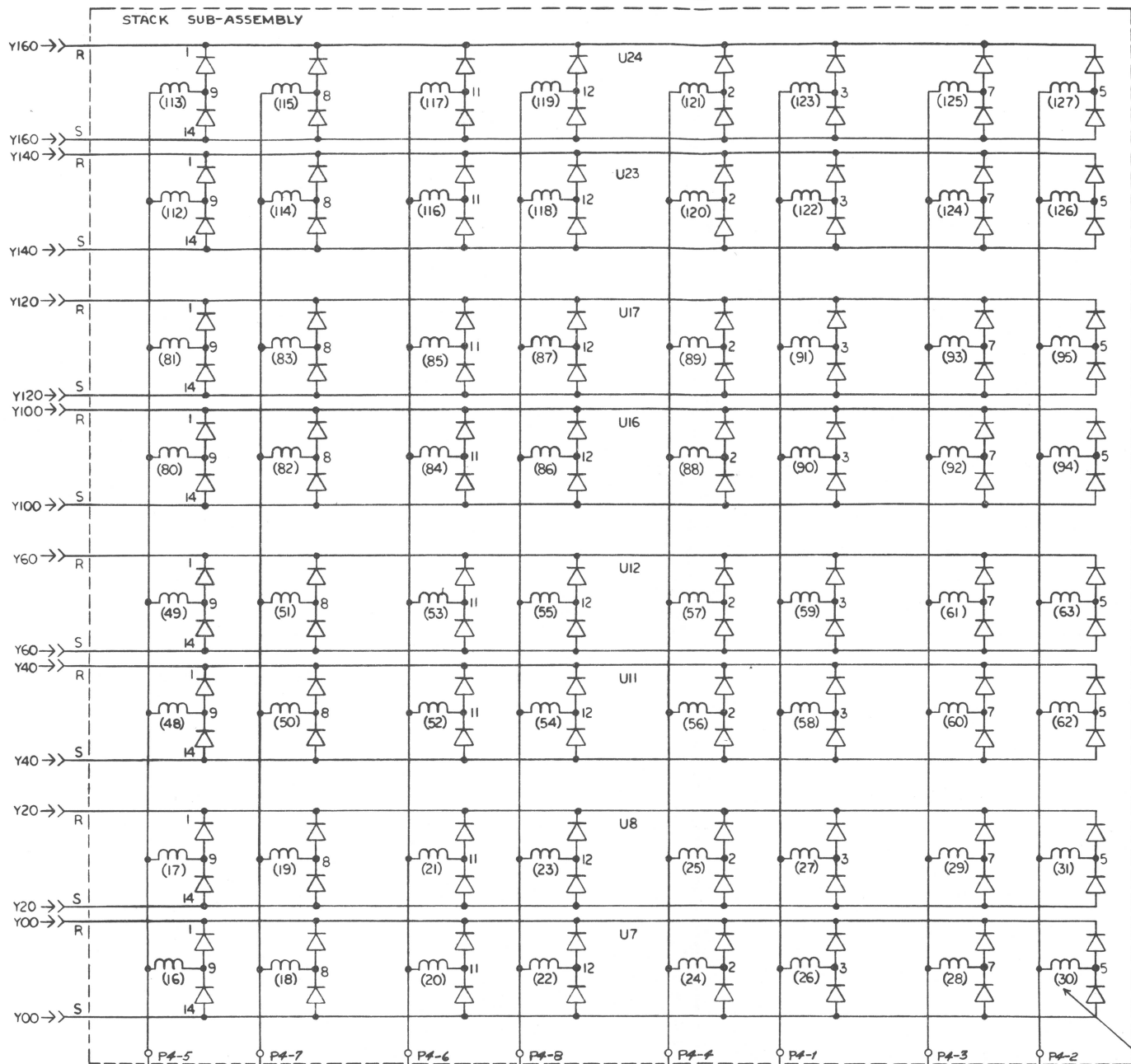
NOTE:  
 R<sub>s</sub>  
 1. RESISTORS SELECTED AT TEST LEVEL.  
 2. FOR STACK VENDOR USE ONLY.  
 S= SOURCE  
 R= RETURN

NOTE: ALL CAPACITORS ARE IN MICROFARADS, AND ALL RESISTORS ARE IN OHMS. 1/4 WATT, WITH 5% TOLERANCE UNLESS OTHERWISE SPECIFIED.

QTY.	DESCRIPTION	PART NO.	
DRAWN CHET JOHNSON 7/3/71 CHECKED ENGINEER J.S. 7/25 APPROVED FIRST USED ON 107-000137 MATERIAL FINISH SCALE			<b>DATA GENERAL CORPORATION</b> SOUTHBORO, MASSACHUSETTS 01772 TITLE <b>8K MEMORY          Y DRIVERS</b> SIZE CODE D 001 DRAWING NUMBER 000190 REV 03

THIS DRAWING AND SPECIFICATIONS HEREIN, ARE THE PROPERTY OF DATA GENERAL CORPORATION AND SHALL NOT BE REPRODUCED OR COPIED OR USED IN WHOLE OR IN PART AS THE BASIS FOR MANUFACTURE OR SALE OF ITEMS WITHOUT WRITTEN PERMISSION.

REVISIONS				
REV.	DESCRIPTION	DRFTG.	APP BY	DATE



NOTE 1

NOTE:-  
1. FOR STACK VENDOR USE ONLY.

NOTE: ALL CAPACITORS ARE IN MICROPARADS, AND ALL RESISTORS ARE IN OHMS, 1/4 WATT, WITH 5% TOLERANCE UNLESS OTHERWISE SPECIFIED.

QTY.	DESCRIPTION	PART NO.
DRAWN	CHET JOHNSON 9/3/77	<b>DATA GENERAL CORPORATION</b> SOUTHBORO, MASSACHUSETTS 01772
CHECKED		
ENGINEER	J.S. 9/12/77	
APPROVED		
FIRST USED ON		
107-000137		
MATERIAL		
FINISH		
SIZE	CODE	DRAWING NUMBER
D	001	000190
REV		03

8

7

6

5

4

3

2

1

8

7

6

5

4

3

2

1