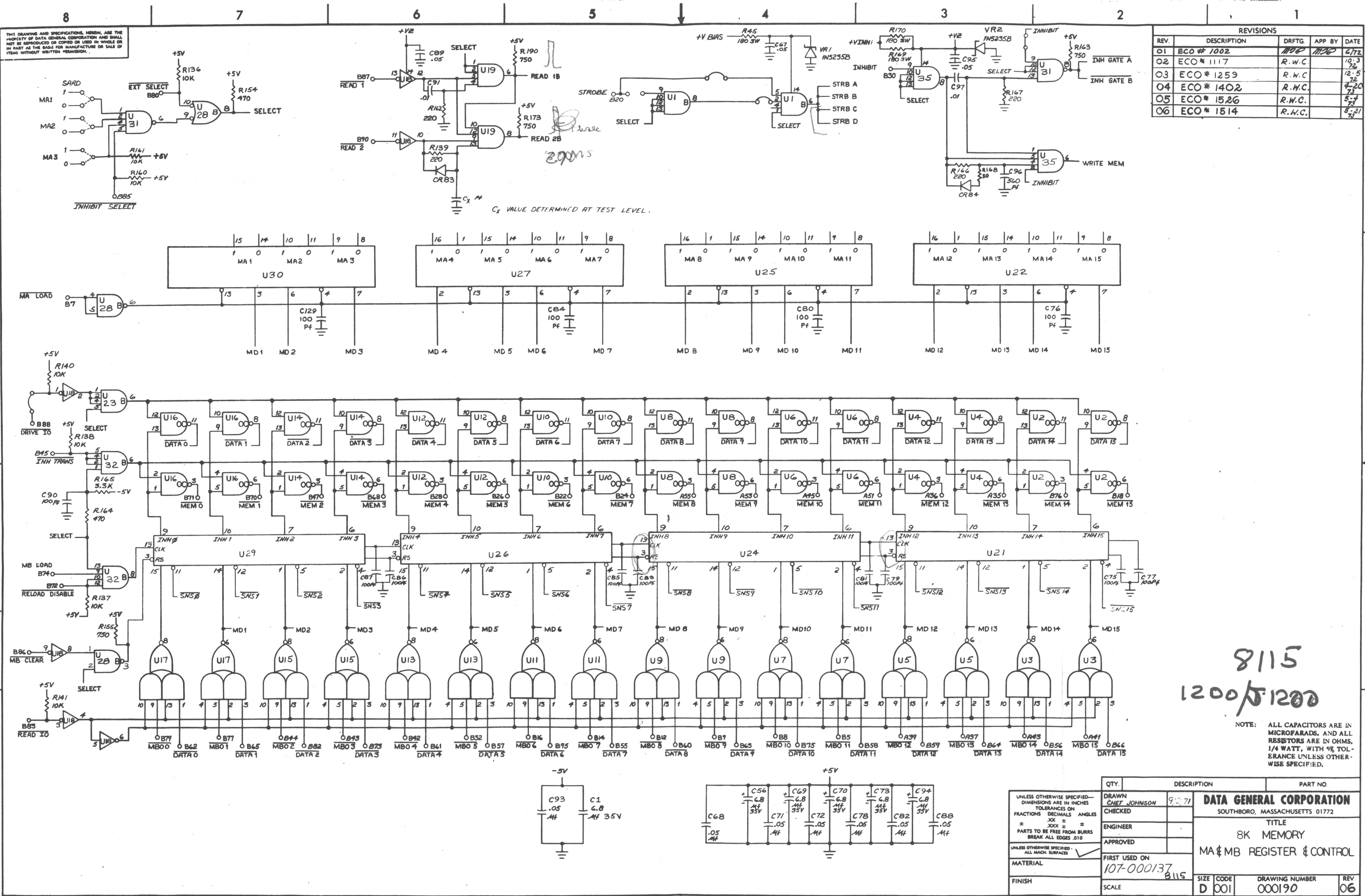


THIS DRAWING AND SPECIFICATIONS, HEREIN, ARE THE PROPERTY OF DATA GENERAL CORPORATION AND SHALL NOT BE REPRODUCED OR COPIED OR USED IN WHOLE OR IN PART AS THE BASIS FOR MANUFACTURE OR SALE OF ITEMS WITHOUT WRITTEN PERMISSION.

REVISIONS				
REV.	DESCRIPTION	DRFTG.	APP BY	DATE
01	ECO # 1002	W.P.C.	W.P.C.	6/72
02	ECO # 1117	R.W.C.		10-3-72
03	ECO # 1259	R.W.C.		12-5-72
04	ECO # 1402	R.W.C.		4-20-73
05	ECO # 1526	R.W.C.		5-1-73
06	ECO # 1514	R.W.C.		5-31-73



8115
1200/1200

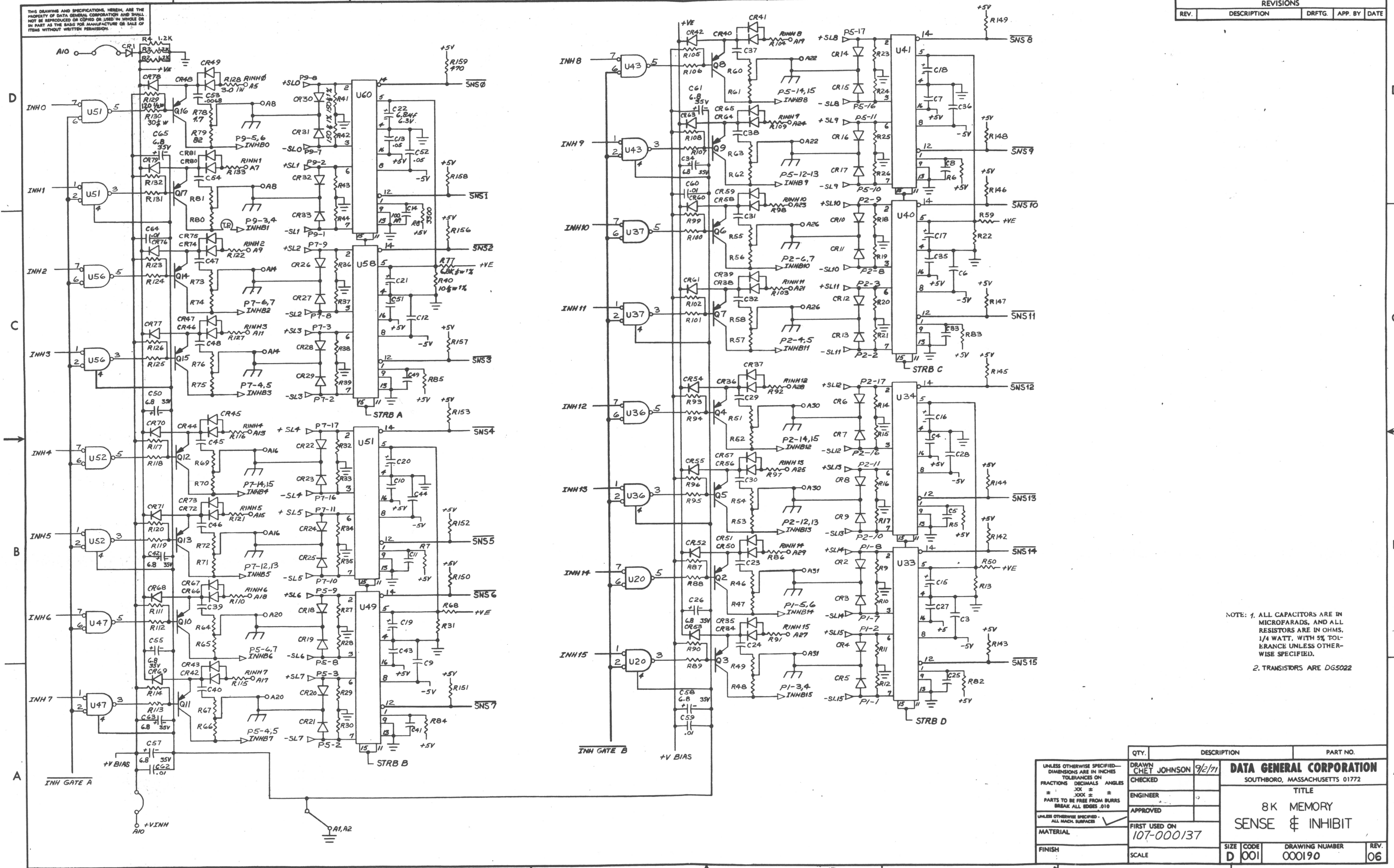
NOTE: ALL CAPACITORS ARE IN MICROFARADS, AND ALL RESISTORS ARE IN OHMS, 1/4 WATT, WITH 5% TOLERANCE UNLESS OTHERWISE SPECIFIED.

QTY.	DESCRIPTION	PART NO.
	DRAWN	CHEF JOHNSON
	CHECKED	
	ENGINEER	
	APPROVED	
	FIRST USED ON	107-000137
	MATERIAL	
	FINISH	
	SCALE	
DRAWING NUMBER		000190
REV		06

DATA GENERAL CORPORATION
SOUTHBORO, MASSACHUSETTS 01772
TITLE
8K MEMORY
MA & MB REGISTER & CONTROL

THIS DRAWING AND SPECIFICATIONS HEREIN ARE THE PROPERTY OF DATA GENERAL CORPORATION AND SHALL NOT BE REPRODUCED OR COPIED OR USED IN WHOLE OR IN PART AS THE BASIS FOR MANUFACTURE OR SALE OF ITEMS WITHOUT WRITTEN PERMISSION.

REVISIONS			
REV.	DESCRIPTION	DRFTG.	APP. BY DATE



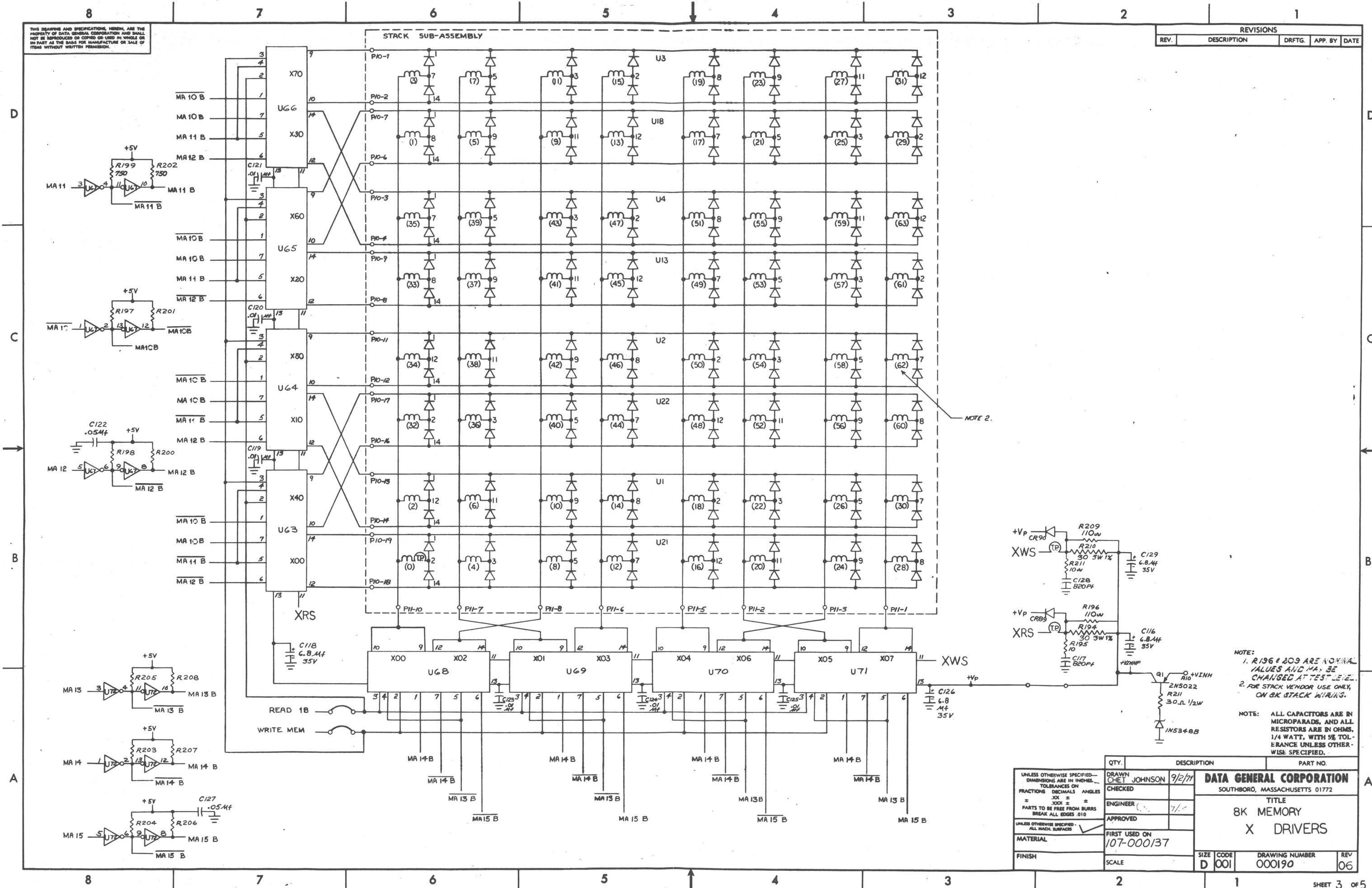
NOTE: 1. ALL CAPACITORS ARE IN MICROFARADS, AND ALL RESISTORS ARE IN OHMS, 1/4 WATT, WITH 5% TOLERANCE UNLESS OTHERWISE SPECIFIED.
2. TRANSISTORS ARE DG5022

QTY.	DESCRIPTION	PART NO.

UNLESS OTHERWISE SPECIFIED— DIMENSIONS ARE IN INCHES TOLERANCES ON FRACTIONS DECIMALS ANGLES X.XX ± X.X ± X ±		DATA GENERAL CORPORATION SOUTHBORO, MASSACHUSETTS 01772 TITLE 8K MEMORY SENSE & INHIBIT
PARTS TO BE FREE FROM BURRS BREAK ALL EDGES .010		
UNLESS OTHERWISE SPECIFIED— ALL MACH. SURFACES	APPROVED	
MATERIAL	FIRST USED ON	
FINISH	SCALE	

THIS DRAWING AND SPECIFICATIONS, HEREIN, ARE THE PROPERTY OF DATA GENERAL CORPORATION AND SHALL NOT BE REPRODUCED OR COPIED OR USED IN WHOLE OR IN PART AS THE BASIS FOR MANUFACTURE OR SALE OF ITEMS WITHOUT WRITTEN PERMISSION.

REVISIONS				
REV.	DESCRIPTION	DRFTG.	APP. BY	DATE



NOTE:
 1. R196 & R209 ARE NOMINAL VALUES AND MAY BE CHANGED AT TEST LEVEL.
 2. FOR STACK VENDOR USE ONLY, ON BK STACK WIRING.

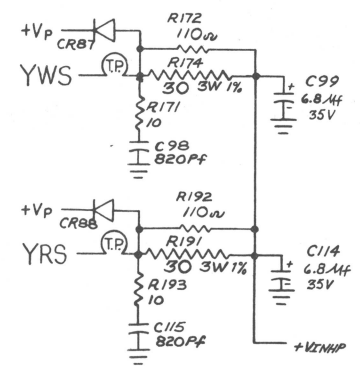
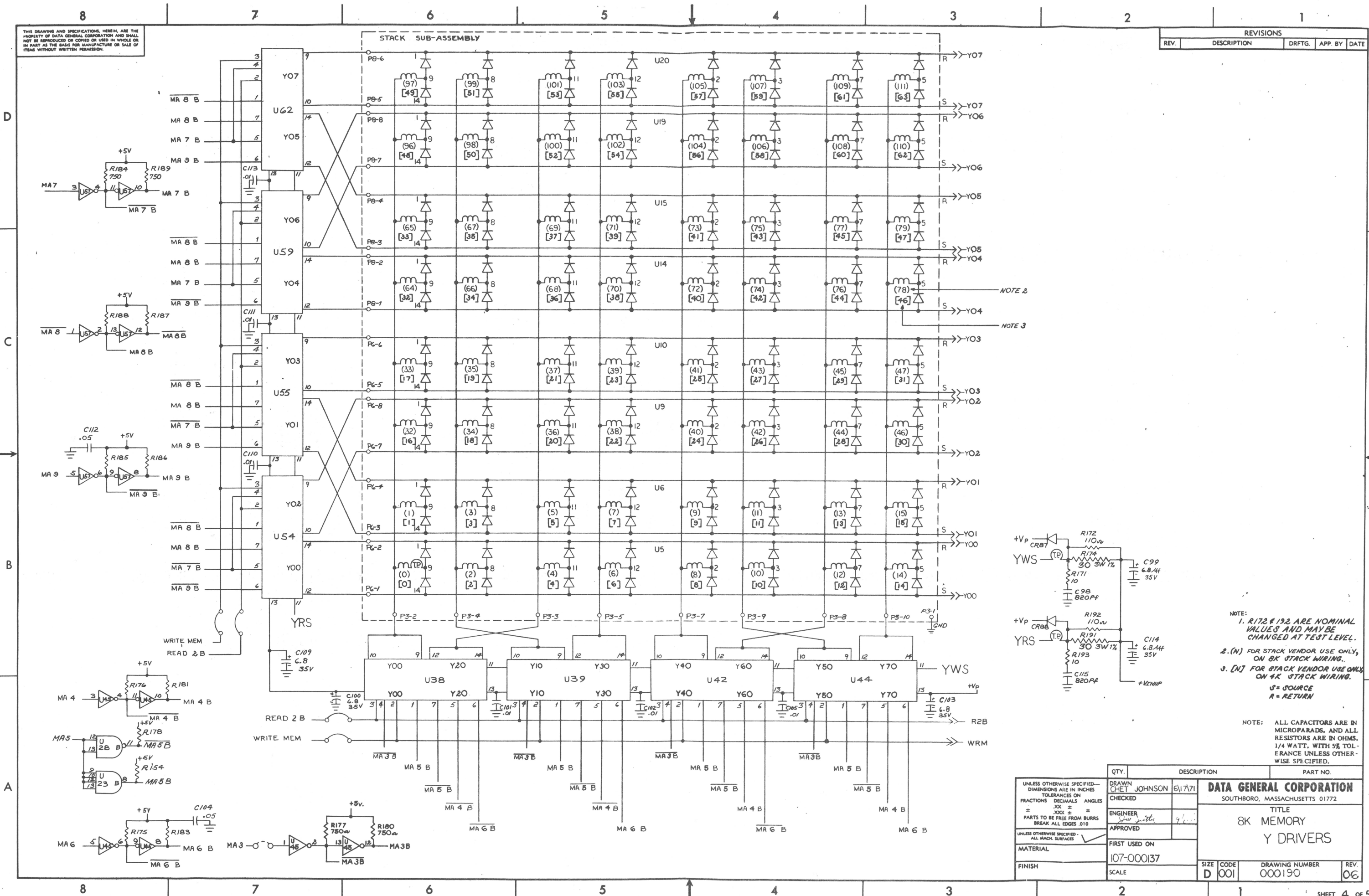
NOTE: ALL CAPACITORS ARE IN MICROFARADS, AND ALL RESISTORS ARE IN OHMS, 1/4 WATT, WITH 5% TOLERANCE UNLESS OTHERWISE SPECIFIED.

QTY.	DESCRIPTION	PART NO.

UNLESS OTHERWISE SPECIFIED— DIMENSIONS ARE IN INCHES. TOLERANCES ON FRACTIONS DECIMALS ANGLES X.XX ± .XX X.XXX ± .XXX PARTS TO BE FREE FROM BURRS BREAK ALL EDGES .010	DRAWN CHET JOHNSON 9/2/77	DATA GENERAL CORPORATION SOUTHBORO, MASSACHUSETTS 01772 TITLE 8K MEMORY X DRIVERS
CHECKED		
ENGINEER		
APPROVED		
UNLESS OTHERWISE SPECIFIED— ALL MACH. SURFACES	FIRST USED ON 107-000/37	DRAWING NUMBER 000190
MATERIAL		REV 06
FINISH	SCALE	SIZE D CODE 001 DRAWING NUMBER 000190 REV 06

THIS DRAWING AND SPECIFICATIONS, HEREIN, ARE THE PROPERTY OF DATA GENERAL CORPORATION AND SHALL NOT BE REPRODUCED OR COPIED OR USED IN WHOLE OR IN PART AS THE BASIS FOR MANUFACTURE OR SALE OF ITEMS WITHOUT WRITTEN PERMISSION.

REVISIONS				
REV.	DESCRIPTION	DRFTG.	APP. BY	DATE



- NOTE:
1. R172 & 192 ARE NOMINAL VALUES AND MAYBE CHANGED AT TEST LEVEL.
 2. (N) FOR STACK VENDOR USE ONLY, ON BK STACK WIRING.
 3. [N] FOR STACK VENDOR USE ONLY, ON 4K STACK WIRING.
- S = SOURCE
R = RETURN

NOTE: ALL CAPACITORS ARE IN MICROFARADS, AND ALL RESISTORS ARE IN OHMS, 1/4 WATT, WITH 5% TOLERANCE UNLESS OTHERWISE SPECIFIED.

QTY.	DESCRIPTION	PART NO.

UNLESS OTHERWISE SPECIFIED—DIMENSIONS ARE IN INCHES FRACTIONS DECIMALS ANGLES XX ±		DRAWN CHET JOHNSON 6/17/71		DATA GENERAL CORPORATION SOUTHBORO, MASSACHUSETTS 01772
PARTS TO BE FREE FROM BURRS BREAK ALL EDGES .010		CHECKED		
UNLESS OTHERWISE SPECIFIED—ALL MACH SURFACES		ENGINEER		TITLE
MATERIAL		APPROVED		8K MEMORY Y DRIVERS
FINISH		FIRST USED ON		DRAWING NUMBER
				000190
				REV.
				06

