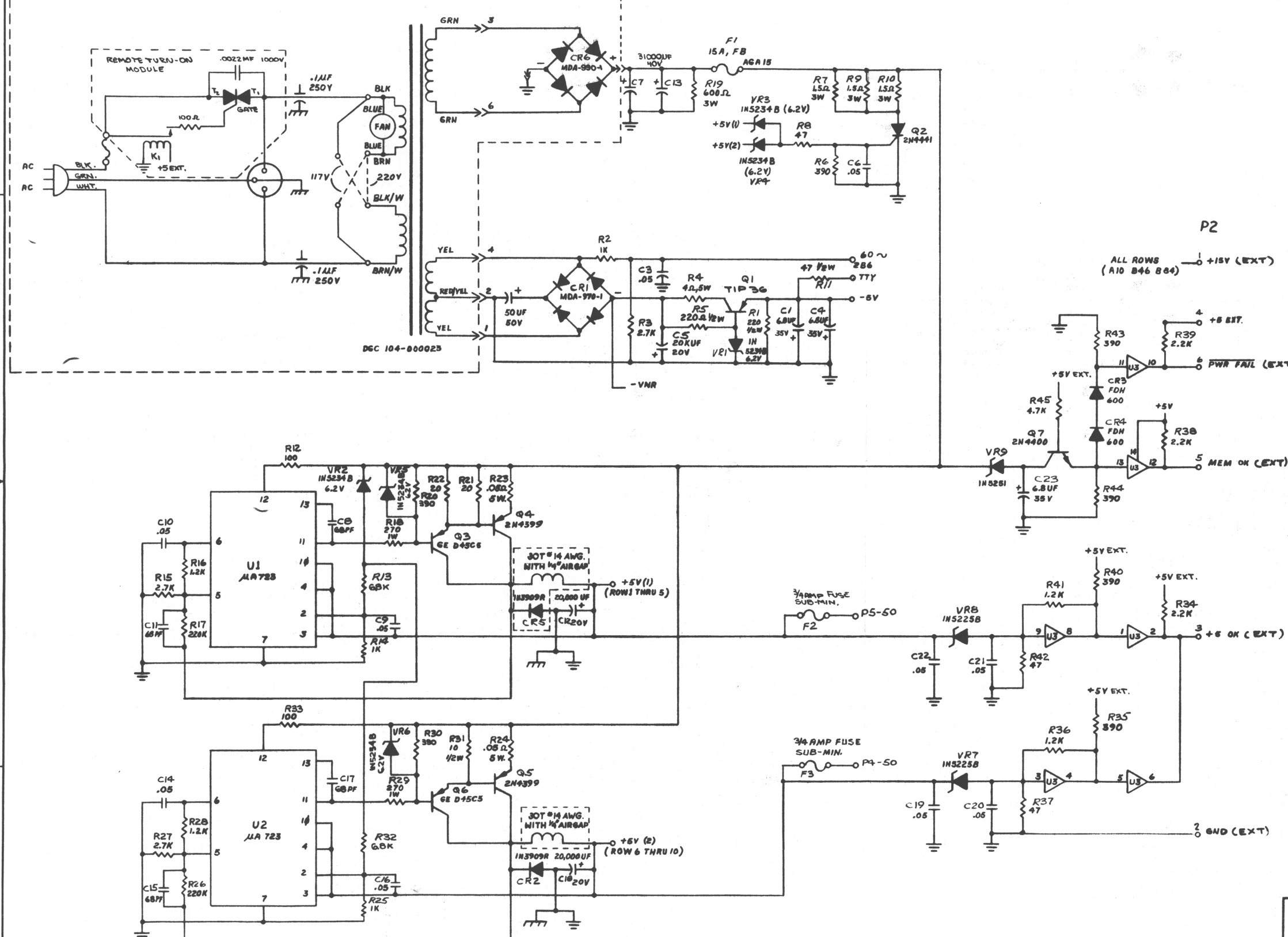


THIS DRAWING AND SPECIFICATIONS HEREIN, ARE THE PROPERTY OF DATA GENERAL CORPORATION AND SHALL NOT BE REPRODUCED OR COPIED OR USED IN WHOLE OR IN PART AS THE BASIS FOR MANUFACTURE OR SALE OF ITEMS WITHOUT WRITTEN PERMISSION.

REVISIONS				
REV.	DESCRIPTION	DRFTG.	APP. BY	DATE
01	SEE ECO. 1275	N.T.P.		11/12
02	ECO # 1327	R.W.C.		1-24 74
03	ECO # 1754	R.W.C.		7-30 74



QTY.	DESCRIPTION	PART NO.
	DRAWN <i>R. Kimball</i> 2/11/72	<b>DATA GENERAL CORPORATION</b> SOUTHBORO, MASSACHUSETTS 01772
	CHECKED	TITLE <b>BACK PANEL EXPANSION POWER SUPPLY</b> 820-1220
	ENGINEER <i>R. Kimball</i> 2/11/72	SIZE CODE D 001
	APPROVED	DRAWING NUMBER 000215
	FIRST USED ON 8281, 8151	REV 03
	MATERIAL	SCALE
	FINISH	