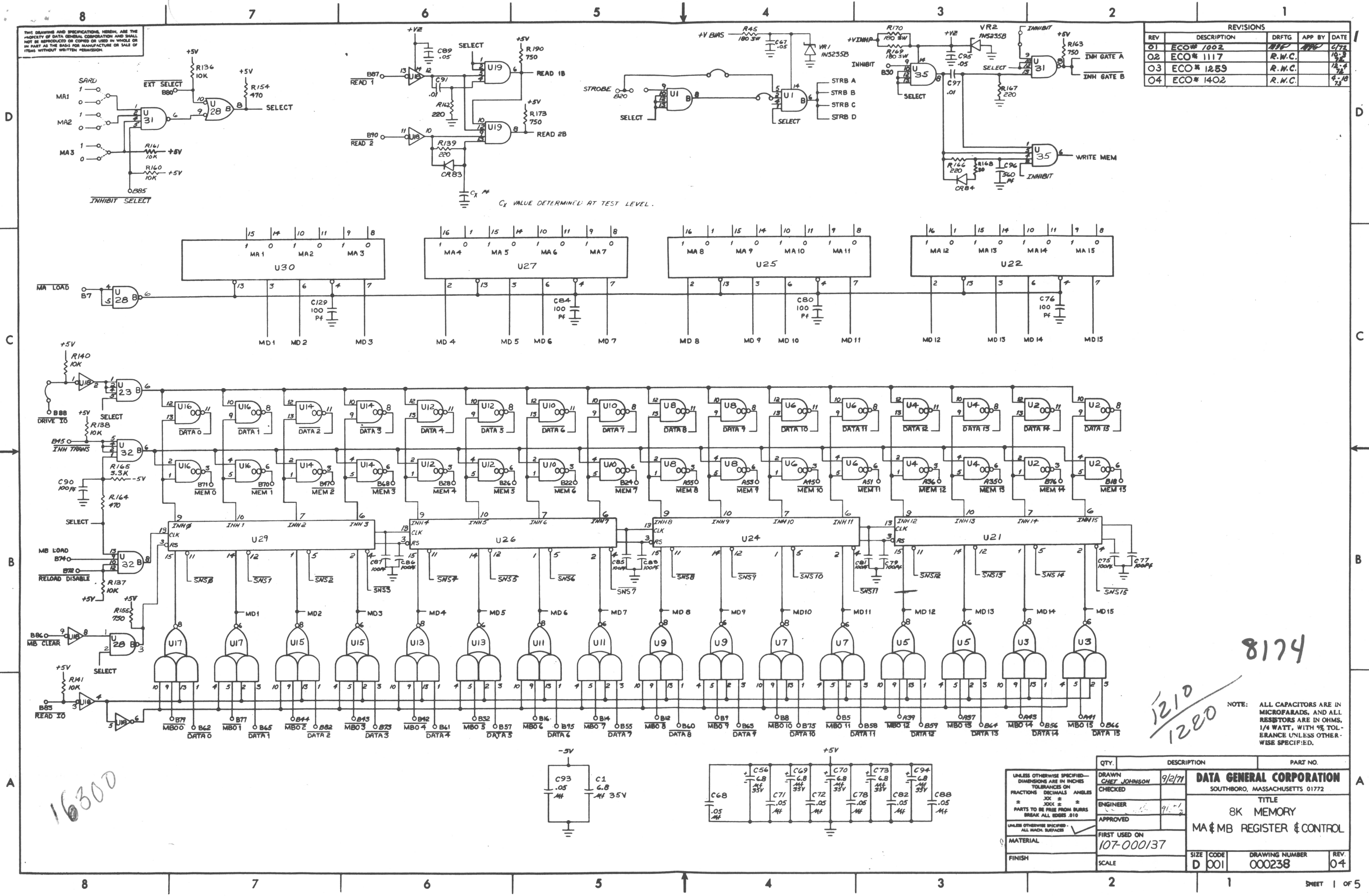


THIS DRAWING AND SPECIFICATIONS HEREIN ARE THE PROPERTY OF DATA GENERAL CORPORATION AND SHALL NOT BE REPRODUCED OR COPIED OR USED IN WHOLE OR IN PART AS THE BASIS FOR MANUFACTURE OR SALE OF ITEMS WITHOUT WRITTEN PERMISSION.

REVISIONS				
REV	DESCRIPTION	DRFTG	APP BY	DATE
01	ECO# 1002	R.W.C.		6/78
02	ECO# 1117	R.W.C.		10/78
03	ECO# 1259	R.W.C.		12/78
04	ECO# 1402	R.W.C.		4/79



8174
1210
1280

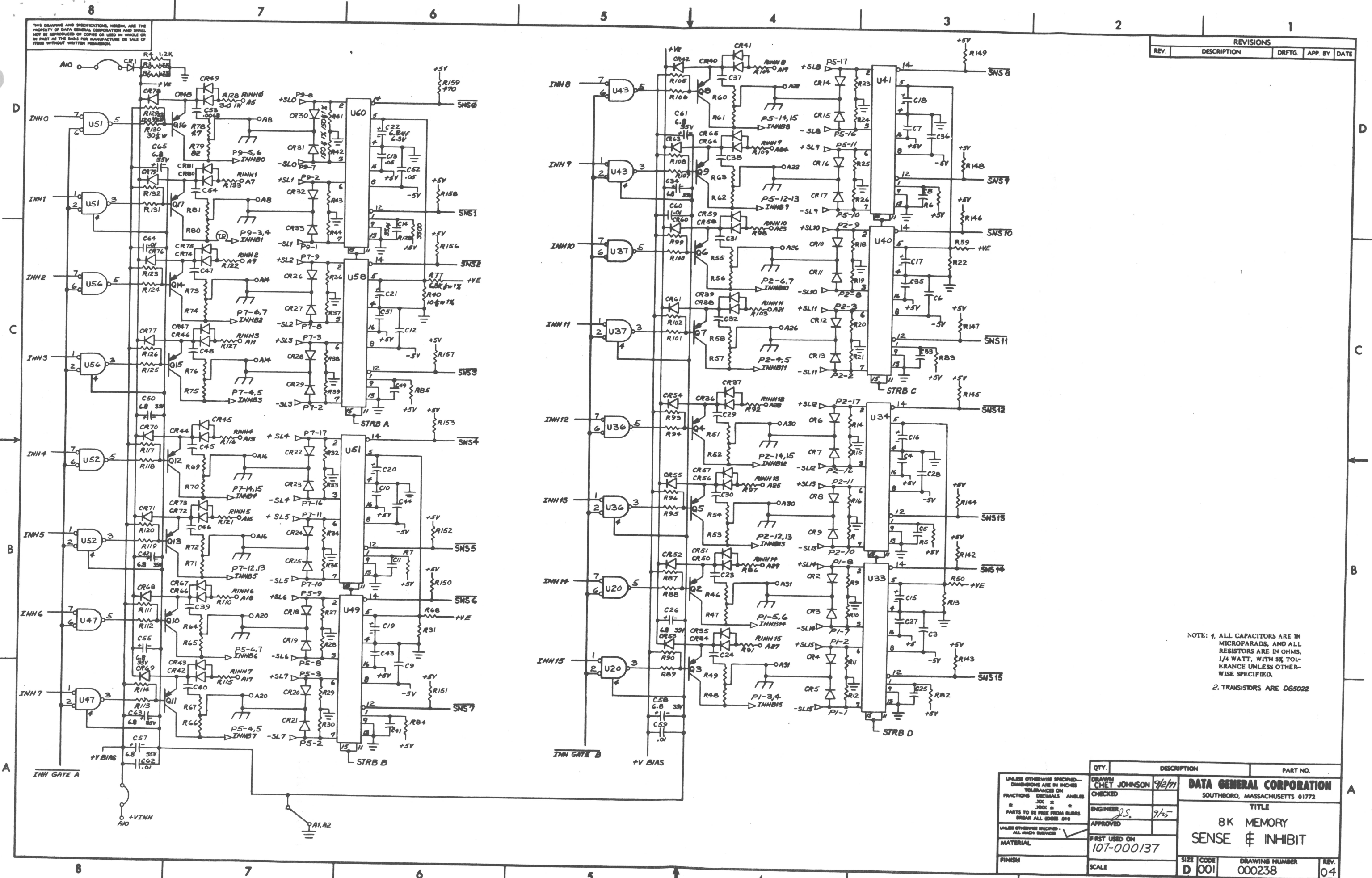
QTY.	DESCRIPTION	PART NO.
	DRAWN CHET JOHNSON 9/2/77	
	CHECKED	
	ENGINEER JOK	
	APPROVED	
	FIRST USED ON 107-000137	
	MATERIAL	
	FINISH	
	SCALE	

DATA GENERAL CORPORATION		
SOUTHBORO, MASSACHUSETTS 01772		
TITLE		
8K MEMORY		
MA & MB REGISTER & CONTROL		
SIZE	CODE	DRAWING NUMBER
D	001	000238
REV	04	

16300

THIS DRAWING AND SPECIFICATIONS, HEREIN, ARE THE PROPERTY OF DATA GENERAL CORPORATION AND SHALL NOT BE REPRODUCED OR COPIED OR USED IN WHOLE OR IN PART AS THE BASIS FOR MANUFACTURE OR SALE OF ITEMS WITHOUT WRITTEN PERMISSION.

REVISIONS			
REV.	DESCRIPTION	DRFTG.	APP. BY DATE



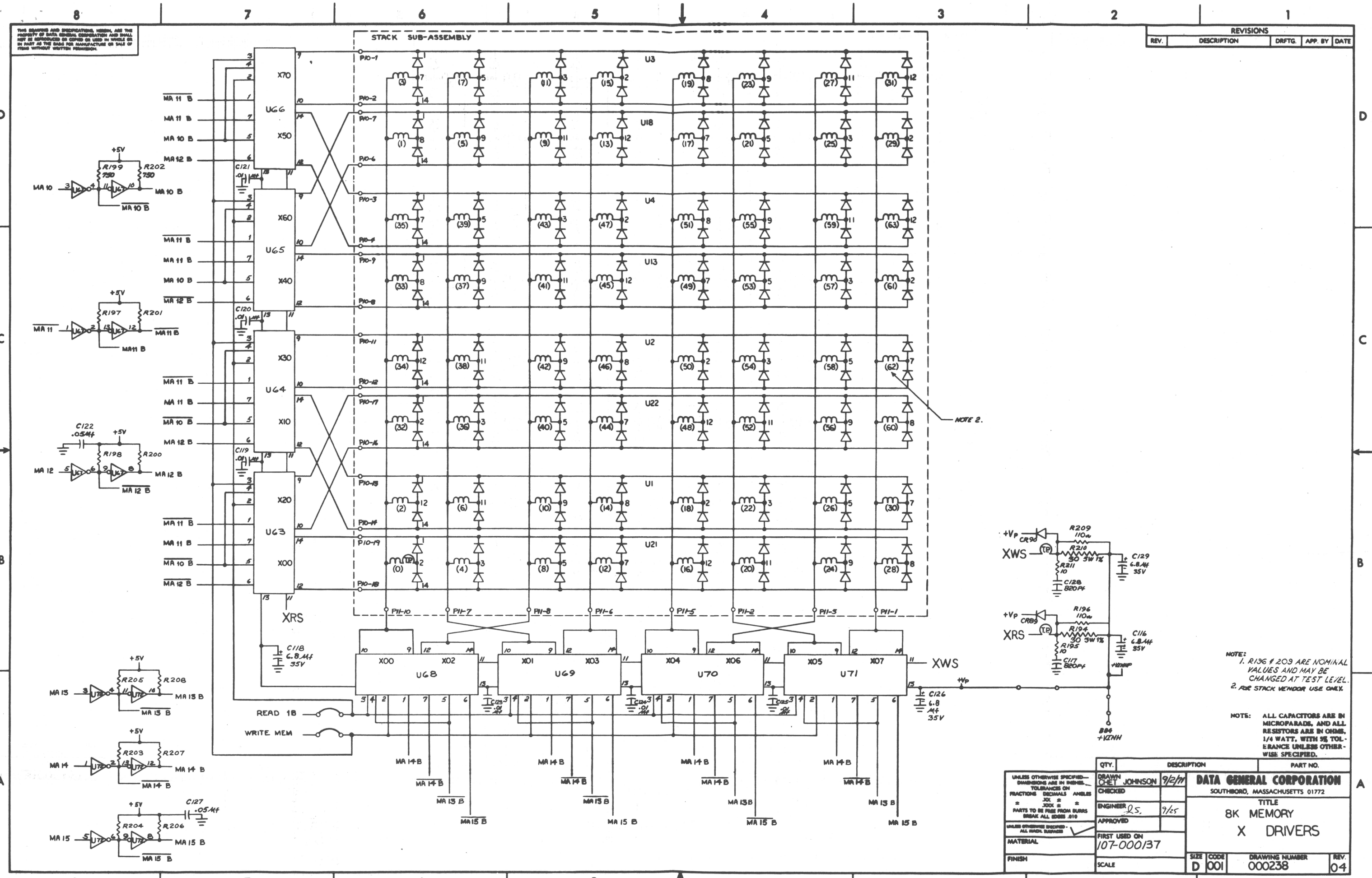
NOTE: 1. ALL CAPACITORS ARE IN MICROFARADS, AND ALL RESISTORS ARE IN OHMS, 1/4 WATT, WITH 5% TOLERANCE UNLESS OTHERWISE SPECIFIED.
2. TRANSISTORS ARE DG5022

QTY.	DESCRIPTION	PART NO.

<small>UNLESS OTHERWISE SPECIFIED—DIMENSIONS ARE IN INCHES FRACTIONS DECIMALS ANGLES X .001 X .005 X .010 X .020 X .030 X .040 X .050 X .060 X .070 X .080 X .090 X .100 X .125 X .150 X .175 X .200 X .250 X .300 X .375 X .450 X .500 X .625 X .750 X .875 X 1.000 X 1.250 X 1.500 X 1.750 X 2.000 X 2.500 X 3.000 X 3.750 X 4.500 X 5.000 X 6.250 X 7.500 X 8.750 X 10.000</small>	<small>UNLESS OTHERWISE SPECIFIED—ALL MACH SURFACES</small>	DATA GENERAL CORPORATION SOUTHBORO, MASSACHUSETTS 01772 TITLE 8K MEMORY SENSE & INHIBIT
DRAWN: CHET JOHNSON CHECKED: ENGINEER: J.S. APPROVED: FIRST USED ON: 107-000137	9/2/71 9/25	SIZE: D CODE: 001 DRAWING NUMBER: 000238 REV: 04

REVISIONS			
REV.	DESCRIPTION	DFTG.	APP. BY DATE

THIS DRAWING AND SPECIFICATIONS HEREIN, ARE THE PROPERTY OF DATA GENERAL CORPORATION AND SHALL NOT BE REPRODUCED OR COPIED OR USED IN WHOLE OR IN PART AS THE BASIS FOR MANUFACTURE OR SALE OF ITEMS WITHOUT WRITTEN PERMISSION.

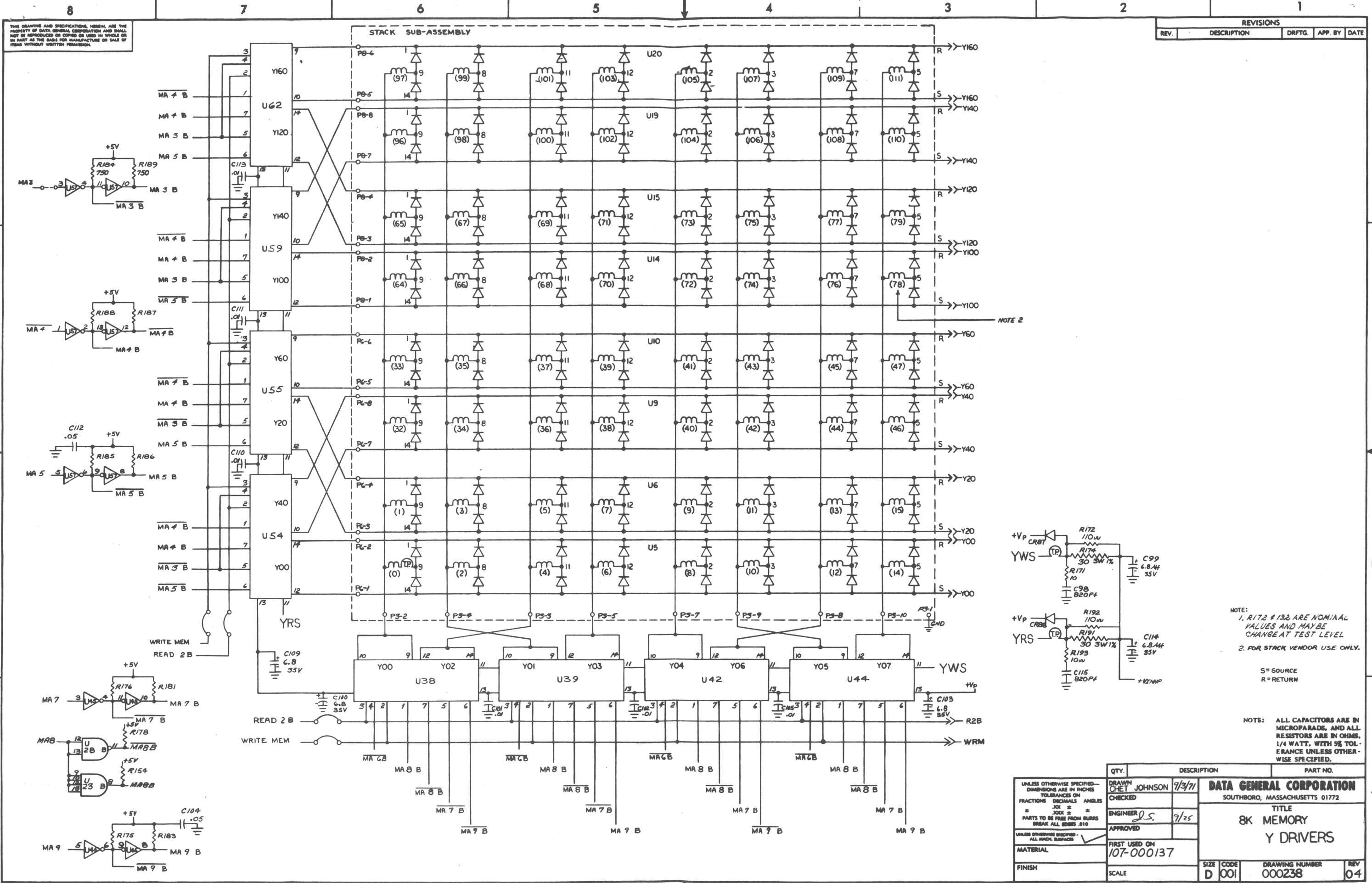


NOTE:
1. R136 # 209 ARE NOMINAL VALUES AND MAY BE CHANGED AT TEST LEVEL.
2. FOR STACK VENDOR USE ONLY.

NOTE: ALL CAPACITORS ARE IN MICROFARADS, AND ALL RESISTORS ARE IN OHMS, 1/4 WATT, WITH 5% TOLERANCE UNLESS OTHERWISE SPECIFIED.

QTY.	DESCRIPTION	PART NO.

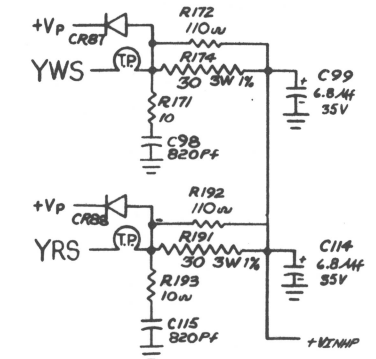
UNLESS OTHERWISE SPECIFIED—DIMENSIONS ARE IN INCHES—TOLERANCES ON FRACTIONS DECIMALS ANGLES .010 .005 .001 .001	DRAWN CHET JOHNSON 9/2/77	DATA GENERAL CORPORATION SOUTH BORD, MASSACHUSETTS 01772
PARTS TO BE FREE FROM BURRS BREAK ALL EDGES .010	CHECKED 	
UNLESS OTHERWISE SPECIFIED—ALL DIMENSIONS UNLESS OTHERWISE SPECIFIED.	ENGINEER J.S. 9/25	TITLE 8K MEMORY X DRIVERS
MATERIAL	APPROVED 	FIRST USED ON 107-000/37
FINISH	SCALE	DRAWING NUMBER 000238
		REV. 04



THIS DRAWING AND SPECIFICATIONS, HEREIN, ARE THE PROPERTY OF DATA GENERAL CORPORATION AND SHALL NOT BE REPRODUCED OR COPIED OR USED IN WHOLE OR IN PART AS THE BASIS FOR MANUFACTURE OR SALE OF ITEMS WITHOUT WRITTEN PERMISSION.

REVISIONS				
REV.	DESCRIPTION	DRFTG.	APP. BY	DATE

NOTE 2



NOTE:
 1. R172 & 192 ARE NOMINAL VALUES AND MAY BE CHANGE AT TEST LEVEL
 2. FOR STACK VENDOR USE ONLY.

S = SOURCE
 R = RETURN

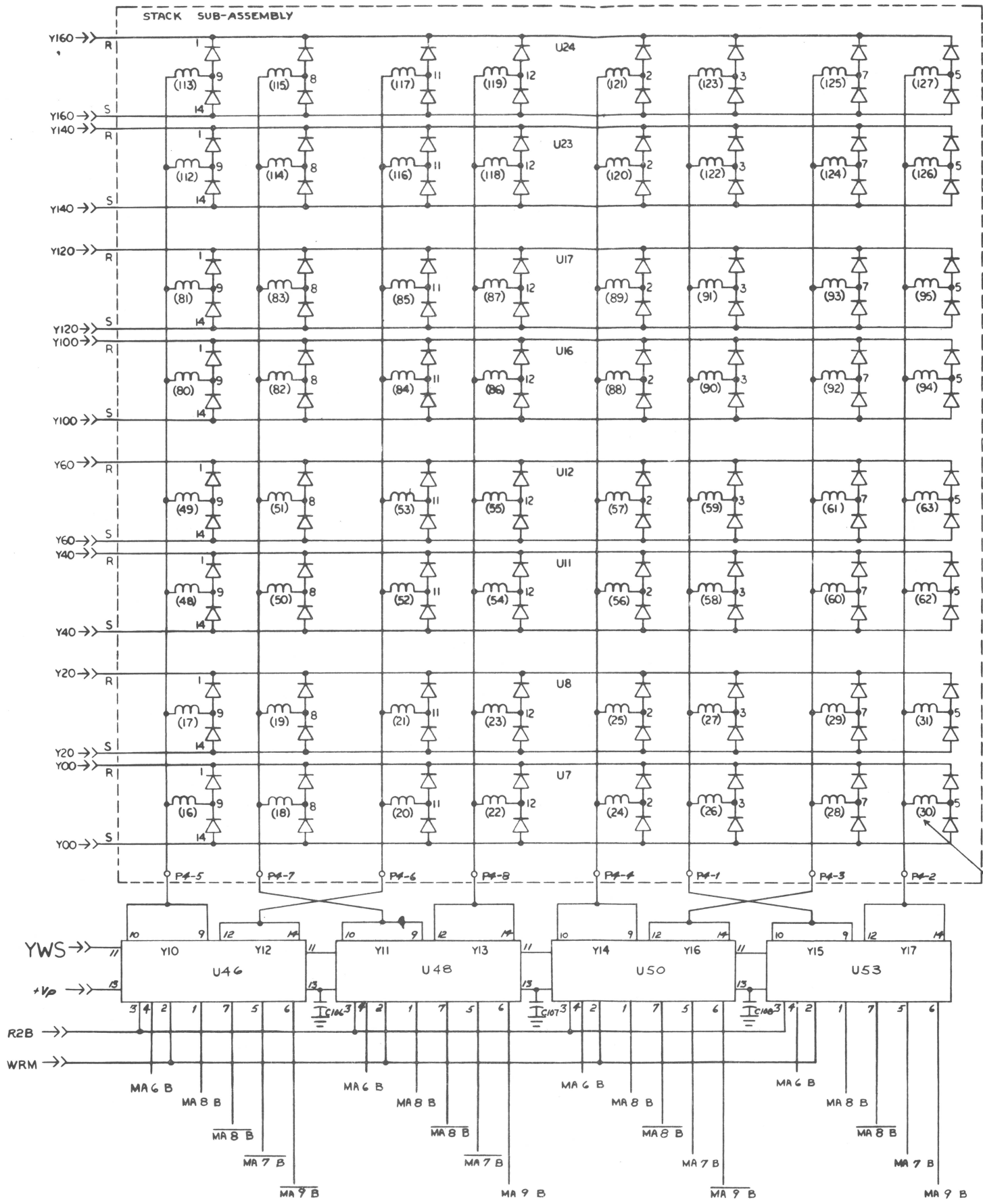
NOTE: ALL CAPACITORS ARE IN MICROFARADS, AND ALL RESISTORS ARE IN OHMS, 1/4 WATT, WITH 5% TOLERANCE UNLESS OTHERWISE SPECIFIED.

QTY.	DESCRIPTION	PART NO.

UNLESS OTHERWISE SPECIFIED—DIMENSIONS ARE IN INCHES FRACTIONS DECIMALS ANGLES TOLERANCES ON * JOK * PARTS TO BE FREE FROM BURRS BREAK ALL EDGES .010	DRAWN: CHET JOHNSON 7/3/71 CHECKED: [Signature] ENGINEER: [Signature] 7/25 APPROVED: [Signature]	DATA GENERAL CORPORATION SOUTHBORO, MASSACHUSETTS 01772 TITLE 8K MEMORY Y DRIVERS
UNLESS OTHERWISE SPECIFIED—ALL MACH. SURFACES	FIRST USED ON 107-000137	SIZE CODE: D 001 DRAWING NUMBER: 000238 REV: 04

THIS DRAWING AND SPECIFICATIONS HEREIN, ARE THE PROPERTY OF DATA GENERAL CORPORATION AND SHALL NOT BE REPRODUCED OR COPIED OR USED IN WHOLE OR IN PART AS THE BASIS FOR MANUFACTURE OR SALE OF ITEMS WITHOUT WRITTEN PERMISSION.

REVISIONS			
REV.	DESCRIPTION	DRFTG.	APP. BY DATE



NOTE 1

NOTE:-
1. FOR STACK VENDOR USE ONLY.

NOTE: ALL CAPACITORS ARE IN MICROFARADS, AND ALL RESISTORS ARE IN OHMS, 1/4 WATT, WITH 5% TOLERANCE UNLESS OTHERWISE SPECIFIED.

QTY.	DESCRIPTION	PART NO.
DRAWN	CHET JOHNSON	9/3/71
CHECKED		
ENGINEER	J.S.	9/25
APPROVED		
FIRST USED ON	107-000137	
MATERIAL		
FINISH		
SCALE	D 001	DRAWING NUMBER 000238
		REV 04

DATA GENERAL CORPORATION
SOUTHBORO, MASSACHUSETTS 01772
TITLE
8K MEMORY
Y DRIVERS