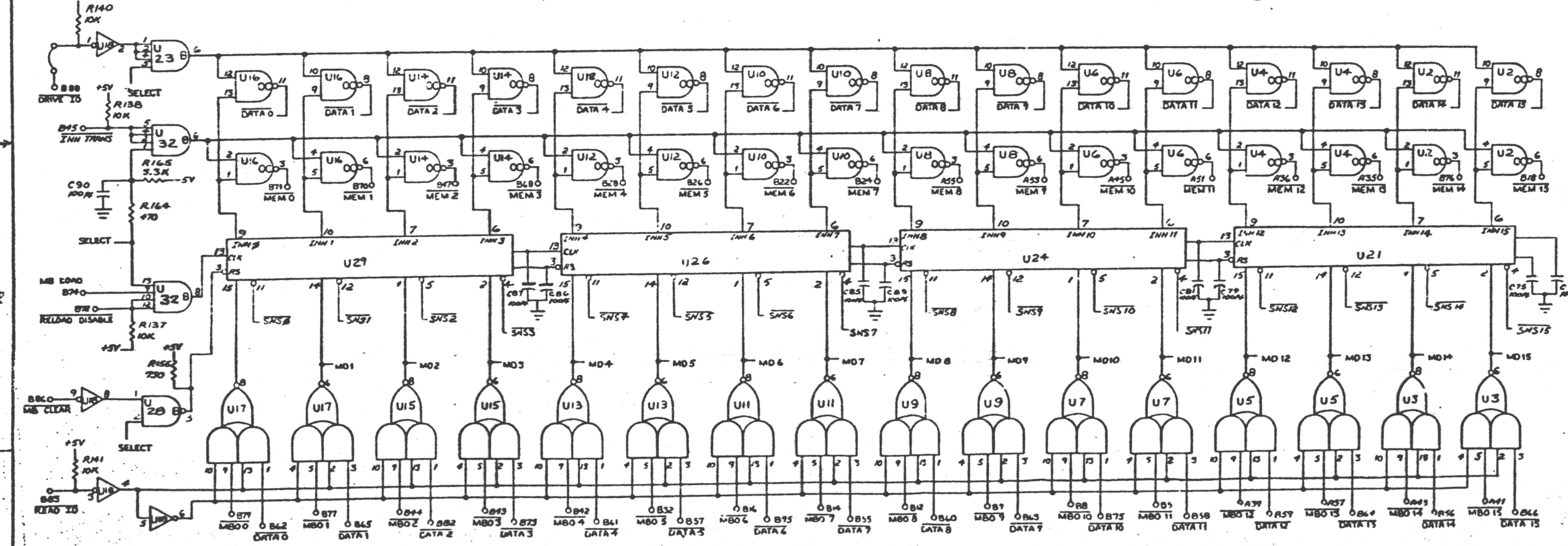
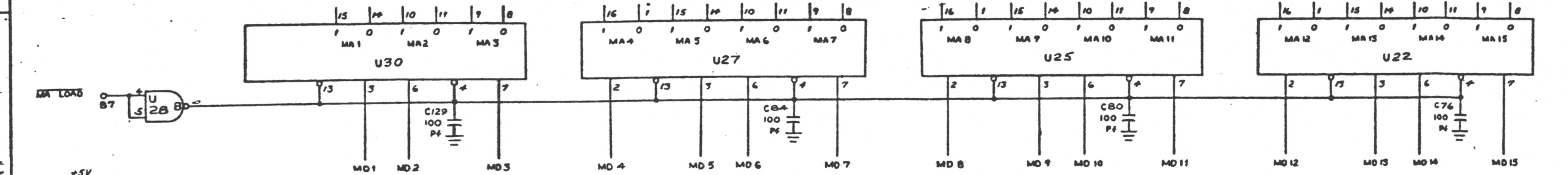
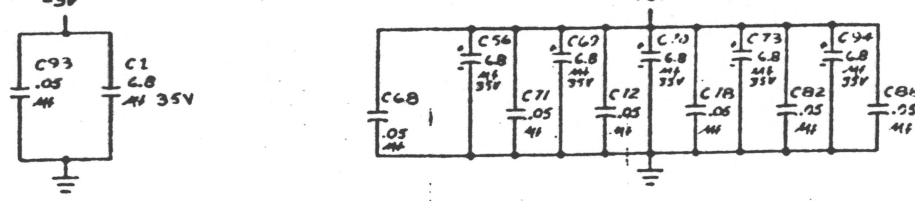


REVISIONS				
REV	DESCRIPTION	CHK'D	APP'D	DATE
01	ECO# 1002	RWC		10/3
02	ECO# 1117	RWC		10/3
03	ECO# 1254	RWC		12/4
04	ECO# 1412	RWC		8/10
05	ECO# 1526	RWC		8/8
06	ECO# 1514	RWC		5/1
07	ECO# 2122	RWC		7/17

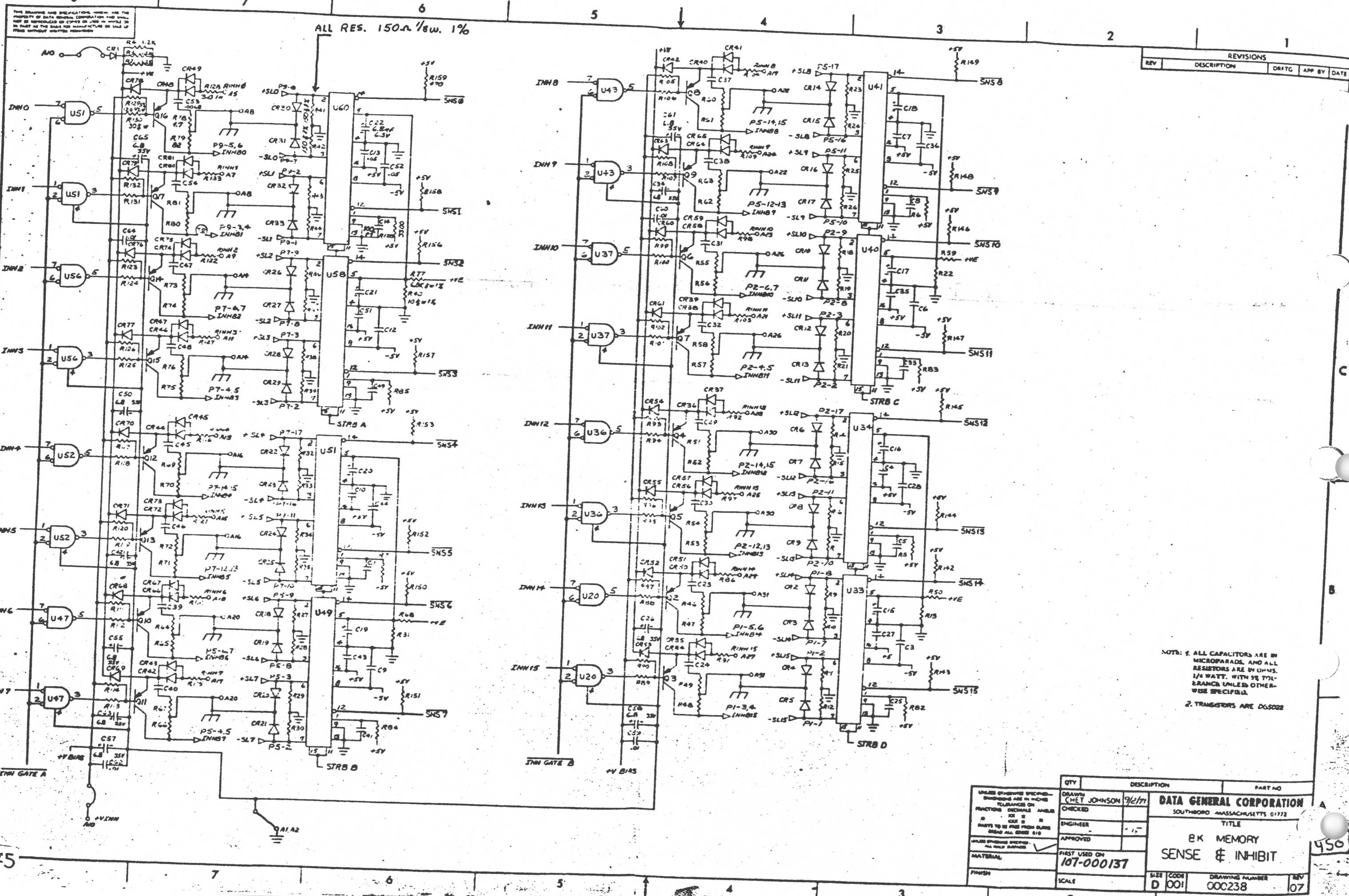


NOTE: ALL CAPACITORS ARE IN MICROFARADS, AND ALL RESISTORS ARE IN OHMS, UNLESS OTHERWISE SPECIFIED. PARTS TO BE FROM PREFERRED SOURCES UNLESS OTHERWISE SPECIFIED.



QTY	DESCRIPTION	PART NO
	UNLESS OTHERWISE SPECIFIED—DIMENSIONS ARE IN INCHES—DIMENSIONS ON PUNCTURES, DIMENSIONAL ANGLES ARE 90° UNLESS OTHERWISE SPECIFIED—PARTS TO BE FROM PREFERRED SOURCES UNLESS OTHERWISE SPECIFIED	
	DRAWN BY: CHEF JOHNSON	11/77
	CHECKED	
	ENGINEER	
	APPROVED	
	FIRST USED ON	101 000137
	MATERIAL	
	FINISH	
DATA GENERAL CORPORATION		
SOUTHBORO, MASSACHUSETTS 01772		
TITLE		
8K MEMORY		
MA & MB REGISTER & CONTROL		
1210/12201 (8174)		
SIZE	CODE	DRAWING NUMBER
D	001	000238
SCALE		REV
		07

44c



ALL RES. 150Ω 1/8W. 1%

REVISIONS			
REV	DESCRIPTION	DWG	DATE

NOTE: 1. ALL CAPACITORS ARE IN MICROFARADS. AND ALL RESISTORS ARE IN OHMS. 1/8 WATT. WITH 5% TOLERANCE UNLESS OTHERWISE SPECIFIED.
2. TRANSISTORS ARE DG5022

QTY	DESCRIPTION	PART NO
DRAWN BY: CHET JOHNSON CHECKED BY: [Signature] ENGINEER: [Signature] APPROVED BY: [Signature]		
FIRST USED ON: 107-000137		
MATERIAL: [Blank]		
PART NO: [Blank]		
TITLE: 8K MEMORY SENSE & INHIBIT		
SCALE: D 001	DRAWING NUMBER: 000238	REV: 07

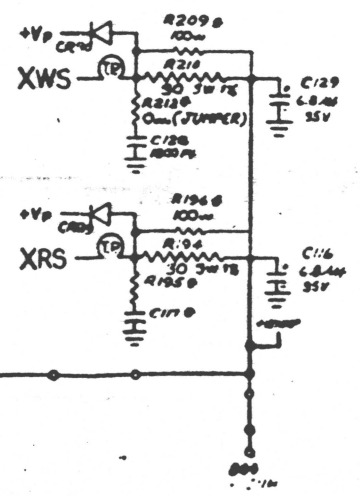
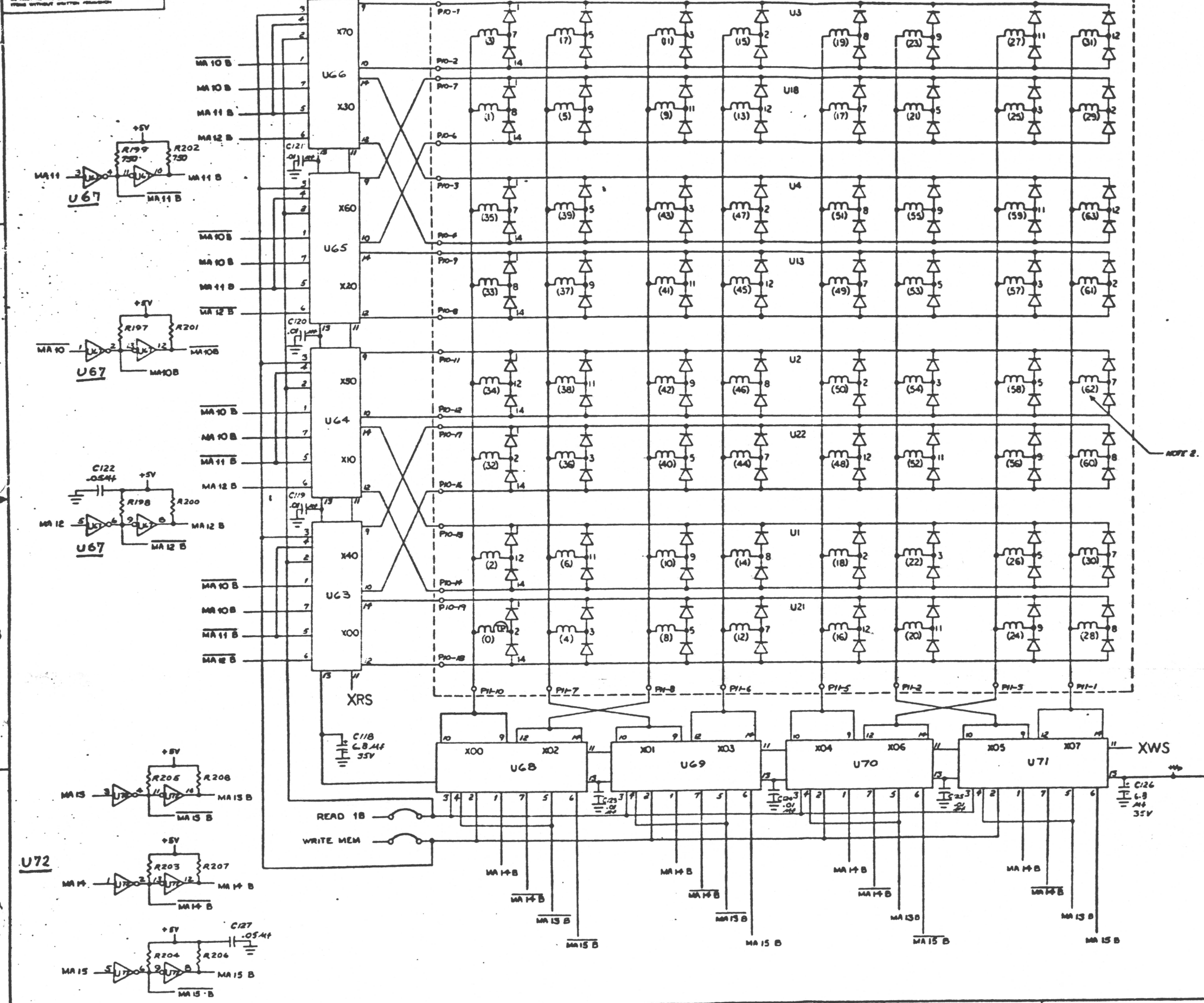
150

2 of 5

150

THIS DRAWING AND SPECIFICATIONS HEREBY ASSURE THE PROPERTY OF DATA GENERAL CORPORATION AND SHALL NOT BE REPRODUCED OR COPIED IN ANY MANNER OR BY ANY MEANS WITHOUT EXPRESS PERMISSION.

REVISIONS			
REV	DESCRIPTION	DRFTG	APP BY DATE



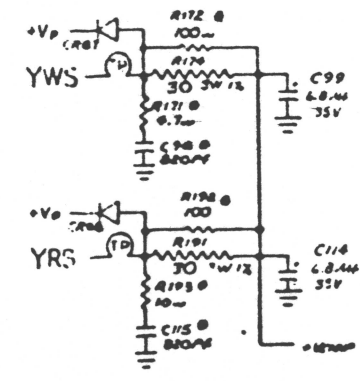
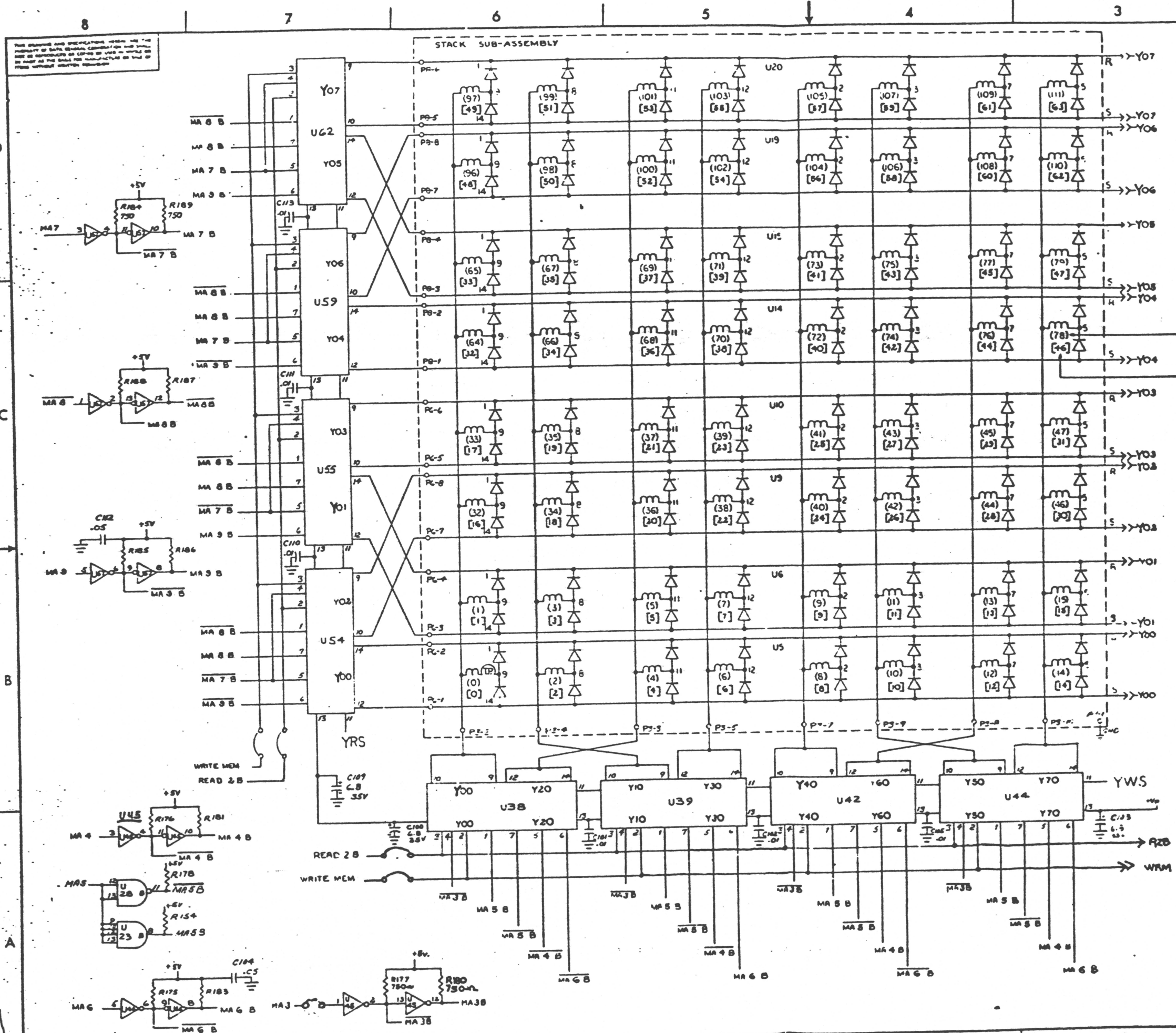
NOTES:
1. C117, R175, C188, R212, R213, R214, R215, R216, R217, R218, R219, R220, R221, R222, R223, R224, R225, R226, R227, R228, R229, R230, R231, R232, R233, R234, R235, R236, R237, R238, R239, R240, R241, R242, R243, R244, R245, R246, R247, R248, R249, R250, R251, R252, R253, R254, R255, R256, R257, R258, R259, R260, R261, R262, R263, R264, R265, R266, R267, R268, R269, R270, R271, R272, R273, R274, R275, R276, R277, R278, R279, R280, R281, R282, R283, R284, R285, R286, R287, R288, R289, R290, R291, R292, R293, R294, R295, R296, R297, R298, R299, R300, R301, R302, R303, R304, R305, R306, R307, R308, R309, R310, R311, R312, R313, R314, R315, R316, R317, R318, R319, R320, R321, R322, R323, R324, R325, R326, R327, R328, R329, R330, R331, R332, R333, R334, R335, R336, R337, R338, R339, R340, R341, R342, R343, R344, R345, R346, R347, R348, R349, R350, R351, R352, R353, R354, R355, R356, R357, R358, R359, R360, R361, R362, R363, R364, R365, R366, R367, R368, R369, R370, R371, R372, R373, R374, R375, R376, R377, R378, R379, R380, R381, R382, R383, R384, R385, R386, R387, R388, R389, R390, R391, R392, R393, R394, R395, R396, R397, R398, R399, R400, R401, R402, R403, R404, R405, R406, R407, R408, R409, R410, R411, R412, R413, R414, R415, R416, R417, R418, R419, R420, R421, R422, R423, R424, R425, R426, R427, R428, R429, R430, R431, R432, R433, R434, R435, R436, R437, R438, R439, R440, R441, R442, R443, R444, R445, R446, R447, R448, R449, R450, R451, R452, R453, R454, R455, R456, R457, R458, R459, R460, R461, R462, R463, R464, R465, R466, R467, R468, R469, R470, R471, R472, R473, R474, R475, R476, R477, R478, R479, R480, R481, R482, R483, R484, R485, R486, R487, R488, R489, R490, R491, R492, R493, R494, R495, R496, R497, R498, R499, R500, R501, R502, R503, R504, R505, R506, R507, R508, R509, R510, R511, R512, R513, R514, R515, R516, R517, R518, R519, R520, R521, R522, R523, R524, R525, R526, R527, R528, R529, R530, R531, R532, R533, R534, R535, R536, R537, R538, R539, R540, R541, R542, R543, R544, R545, R546, R547, R548, R549, R550, R551, R552, R553, R554, R555, R556, R557, R558, R559, R560, R561, R562, R563, R564, R565, R566, R567, R568, R569, R570, R571, R572, R573, R574, R575, R576, R577, R578, R579, R580, R581, R582, R583, R584, R585, R586, R587, R588, R589, R590, R591, R592, R593, R594, R595, R596, R597, R598, R599, R600, R601, R602, R603, R604, R605, R606, R607, R608, R609, R610, R611, R612, R613, R614, R615, R616, R617, R618, R619, R620, R621, R622, R623, R624, R625, R626, R627, R628, R629, R630, R631, R632, R633, R634, R635, R636, R637, R638, R639, R640, R641, R642, R643, R644, R645, R646, R647, R648, R649, R650, R651, R652, R653, R654, R655, R656, R657, R658, R659, R660, R661, R662, R663, R664, R665, R666, R667, R668, R669, R670, R671, R672, R673, R674, R675, R676, R677, R678, R679, R680, R681, R682, R683, R684, R685, R686, R687, R688, R689, R690, R691, R692, R693, R694, R695, R696, R697, R698, R699, R700, R701, R702, R703, R704, R705, R706, R707, R708, R709, R710, R711, R712, R713, R714, R715, R716, R717, R718, R719, R720, R721, R722, R723, R724, R725, R726, R727, R728, R729, R730, R731, R732, R733, R734, R735, R736, R737, R738, R739, R740, R741, R742, R743, R744, R745, R746, R747, R748, R749, R750, R751, R752, R753, R754, R755, R756, R757, R758, R759, R760, R761, R762, R763, R764, R765, R766, R767, R768, R769, R770, R771, R772, R773, R774, R775, R776, R777, R778, R779, R780, R781, R782, R783, R784, R785, R786, R787, R788, R789, R790, R791, R792, R793, R794, R795, R796, R797, R798, R799, R800, R801, R802, R803, R804, R805, R806, R807, R808, R809, R810, R811, R812, R813, R814, R815, R816, R817, R818, R819, R820, R821, R822, R823, R824, R825, R826, R827, R828, R829, R830, R831, R832, R833, R834, R835, R836, R837, R838, R839, R840, R841, R842, R843, R844, R845, R846, R847, R848, R849, R850, R851, R852, R853, R854, R855, R856, R857, R858, R859, R860, R861, R862, R863, R864, R865, R866, R867, R868, R869, R870, R871, R872, R873, R874, R875, R876, R877, R878, R879, R880, R881, R882, R883, R884, R885, R886, R887, R888, R889, R890, R891, R892, R893, R894, R895, R896, R897, R898, R899, R900, R901, R902, R903, R904, R905, R906, R907, R908, R909, R910, R911, R912, R913, R914, R915, R916, R917, R918, R919, R920, R921, R922, R923, R924, R925, R926, R927, R928, R929, R930, R931, R932, R933, R934, R935, R936, R937, R938, R939, R940, R941, R942, R943, R944, R945, R946, R947, R948, R949, R950, R951, R952, R953, R954, R955, R956, R957, R958, R959, R960, R961, R962, R963, R964, R965, R966, R967, R968, R969, R970, R971, R972, R973, R974, R975, R976, R977, R978, R979, R980, R981, R982, R983, R984, R985, R986, R987, R988, R989, R990, R991, R992, R993, R994, R995, R996, R997, R998, R999, R1000.

QTY	DESCRIPTION	PART NO

UNLESS OTHERWISE SPECIFIED... DIMENSIONS ARE IN INCHES. TOLERANCES ON DIMENSIONS ARE: FRACTIONS DECIMALS ANGLES .015 .005 .010 DIMENSIONS TO BE FROM FACE UNLESS OTHERWISE SPECIFIED.	DRAWN BY J. JOHNSON 9/2/77 CHECKED ENGINEER APPROVED FIRST USED ON 07-20/37 MATERIAL FINISH	DATA GENERAL CORPORATION SOUTH BORD MASSACHUSETTS TITLE 8K MEMORY X DRIVERS DRAWING NUMBER 00C238 REV 07
---	---	---

451

REVISIONS				
REV	DESCRIPTION	DRFTG	APP BY	DATE



NOTES:
 1. R171, C99, R173, C115, R172 & R174 ARE NOMINAL VALUES AND MAY BE CHANGED AT TEST LE
 2. (N) FOR STACK VENDOR USE ON BK STACK MIRA
 3. (N) FOR STACK VENDOR USE ON BK STACK MIRA
 S = SOURCE
 R = RETURN

NOTE: ALL CAPACITORS ARE OF MICROFARAD AND ALL RESISTORS ARE IN OHMS, 1/8 WATT, WITH THE EXCEPT UNLESS OTHERWISE SPECIFIED

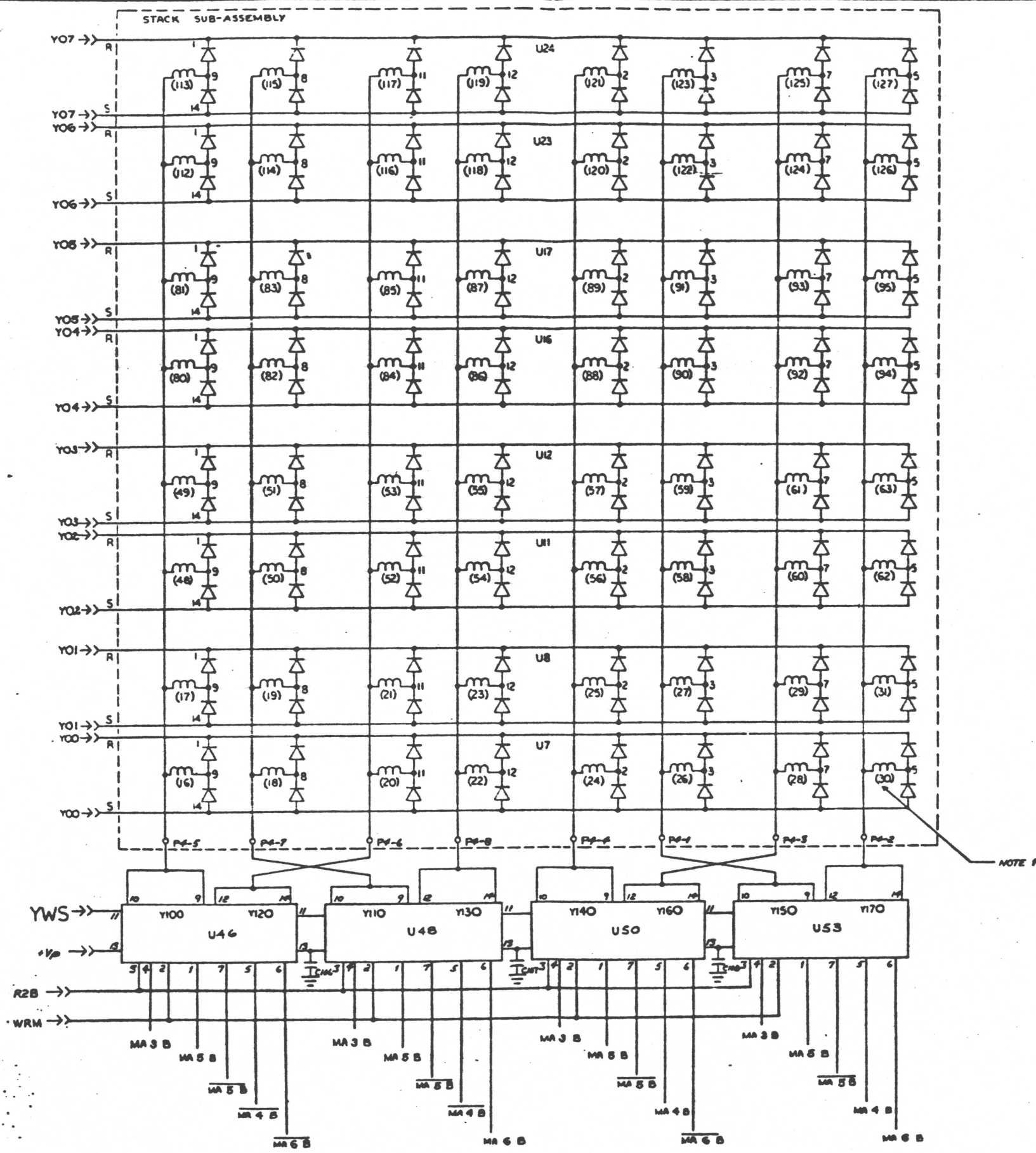
QTY	DESCRIPTION	PART NO

DRAWN BY CHECKED ENGINEER APPROVED FIRST USED ON MATERIAL 107-000137	DATA GENERAL CORPORATION TITLE BK MEMORY Y DRIVERS DRAWING NUMBER 000238 SHEET 4 OF 4
--	---

452
4095

THE DIMENSIONS AND SPECIFICATIONS HEREIN ARE THE PROPERTY OF DATA GENERAL CORPORATION AND SHALL NOT BE REPRODUCED OR STORED IN ANY MANNER OR BY ANY MEANS WITHOUT WRITTEN PERMISSION.

REVISIONS				
REV	DESCRIPTION	DATE	APP BY	DATE



NOTE:
1. FOR STACK VENDOR USE L. ON BK STACK M/RING.

NOTE: ALL CAPACITORS ARE IN MICROFARADS, AND ALL RESISTORS ARE IN OHMS. 1/4 WATT, WITH 5% TOL. UNLESS OTHERWISE SPECIFIED.

QUANTITY	DESCRIPTION	PART NO.

DRAWN BY: HET JOHNSON 7/5/77 CHECKED: ENGINEER: APPROVED: MATERIAL: DATE: FIRST USED ON: 107-000137 SCALE: FIN. SN:	DATA GENERAL CORPORATION SOUTH BORO MASSACHUSETTS 01772 TITLE: 8K MEMORY Y DRIVERS DRAWING NUMBER: 000238	453 07 A SHEET 5 OF 5
---	---	------------------------------------