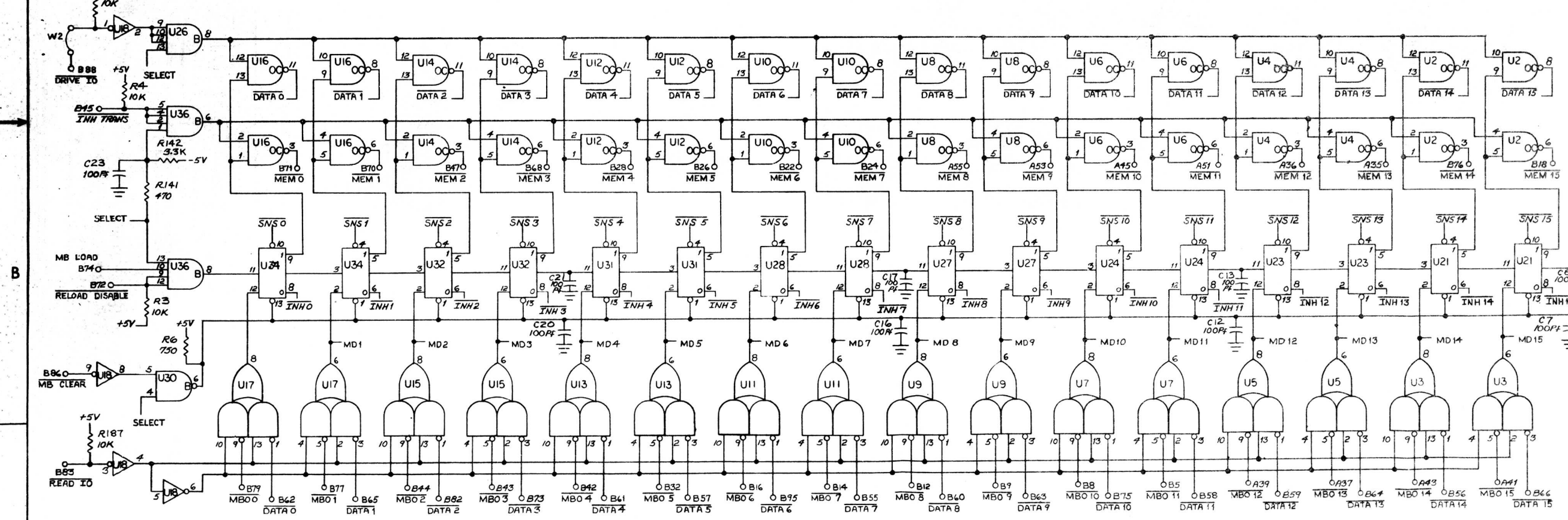
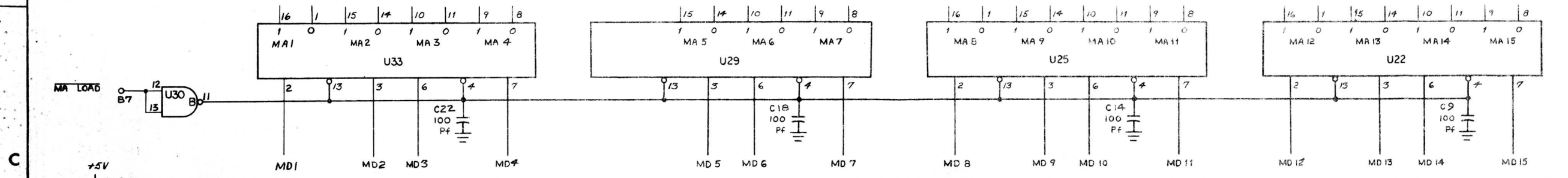
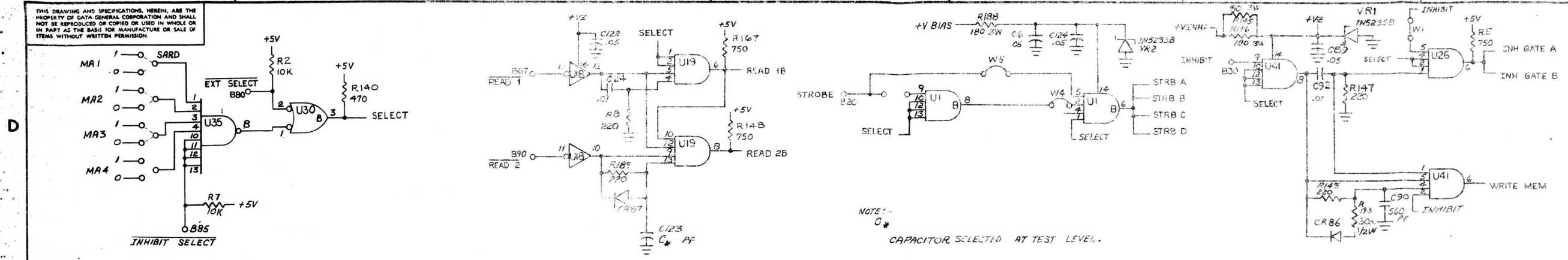
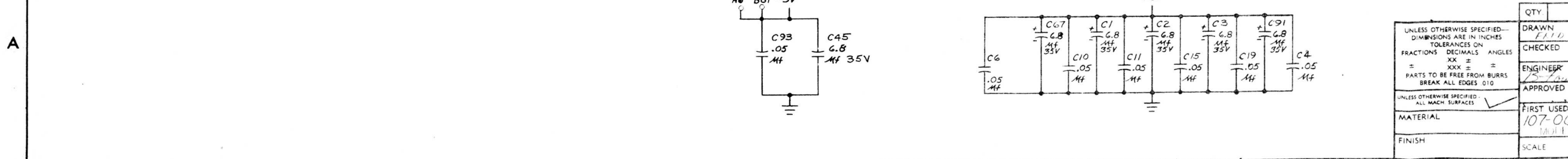


THIS DRAWING AND SPECIFICATIONS, HEREIN, ARE THE PROPERTY OF DATA GENERAL CORPORATION AND SHALL NOT BE REPRODUCED OR COPIED OR USED IN WHOLE OR IN PART AS THE BASIS FOR MANUFACTURE OR SALE OF ITEMS WITHOUT WRITTEN PERMISSION.

REVISIONS				
REV	DESCRIPTION	DRFTG	APP BY	DATE
01	ECO # 1814	R.W.C.		8-23
02	ECO # 2541	G.W.M.		7-18
03	ECO # 2647	G.W.M.		7-18



NOTE: ALL CAPACITORS ARE IN MICROFARADS, AND ALL RESISTORS ARE IN OHMS, 1/4 WATT, WITH 5% TOLERANCE UNLESS OTHERWISE SPECIFIED.



QTY	DESCRIPTION	PART NO
	UNLESS OTHERWISE SPECIFIED—DIMENSIONS ARE IN INCHES—TOLERANCES ON FRACTIONS DECIMALS ANGLES	
	XXX ±	
	PARTS TO BE FREE FROM BURRS—BREAK ALL EDGES 0.10	
	UNLESS OTHERWISE SPECIFIED—ALL MACH SURFACES	
	MATERIAL	
	FINISH	
	SCALE	
	ENGINEER	
	APPROVED	
	FIRST USED ON	
	107-000/136	
	DATE	
	10/11/72	
	DRAWN	
	CHECKED	
	DATE	
	3/1/73	
	DATA GENERAL CORPORATION	
	SOUTHBORO, MASSACHUSETTS 01772	
	TITLE	
	4K MEMORY	
	MA & MB REGISTER & CONTROL	
	1200.10.20.30	
	SIZE	D
	CODE	001
	DRAWING NUMBER	000400
	REV	03

