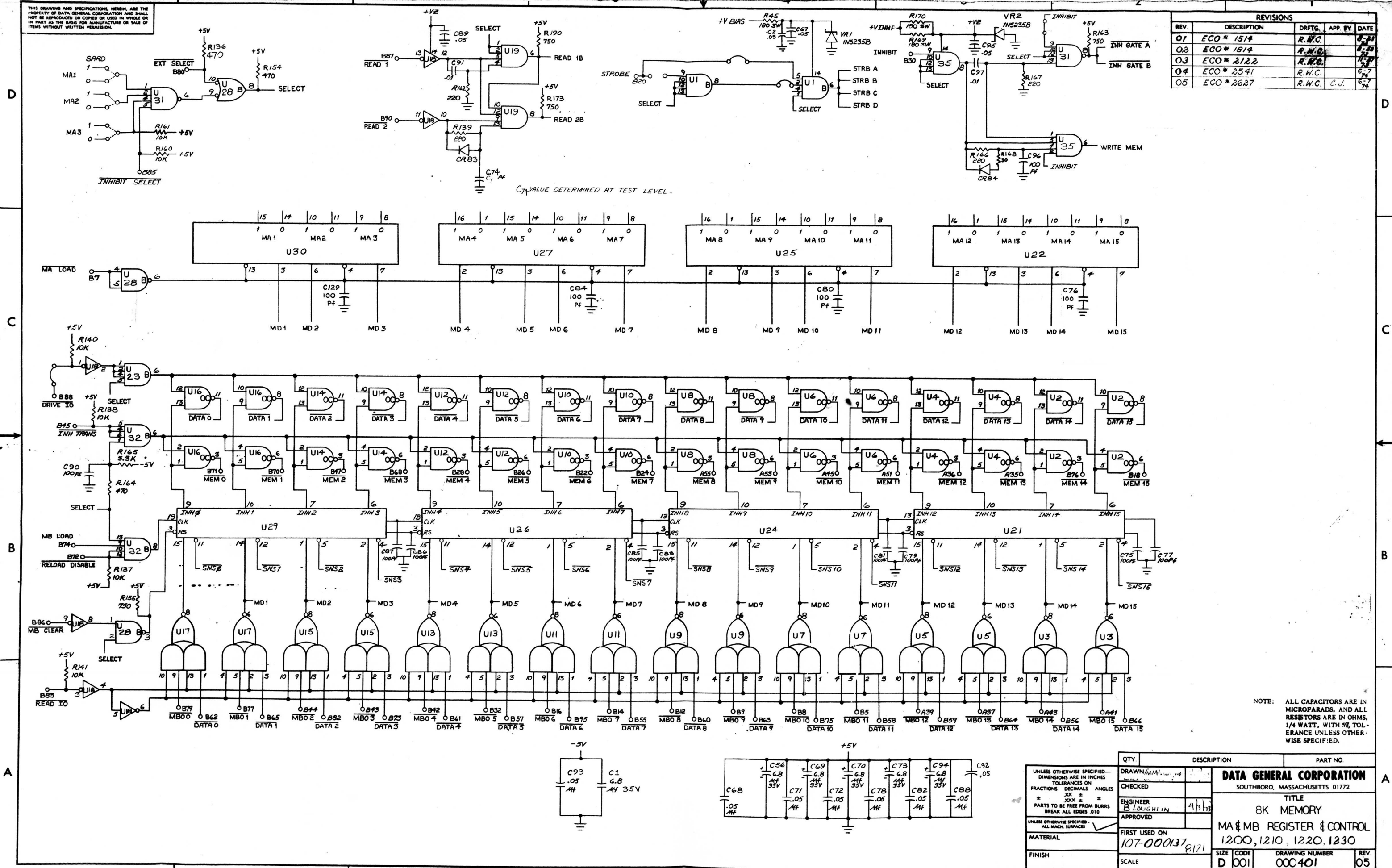


THIS DRAWING AND SPECIFICATIONS, HEREIN, ARE THE PROPERTY OF DATA GENERAL CORPORATION AND SHALL NOT BE REPRODUCED OR COPIED OR USED IN WHOLE OR IN PART AS THE BASIS FOR MANUFACTURE OR SALE OF ITEMS WITHOUT WRITTEN PERMISSION.

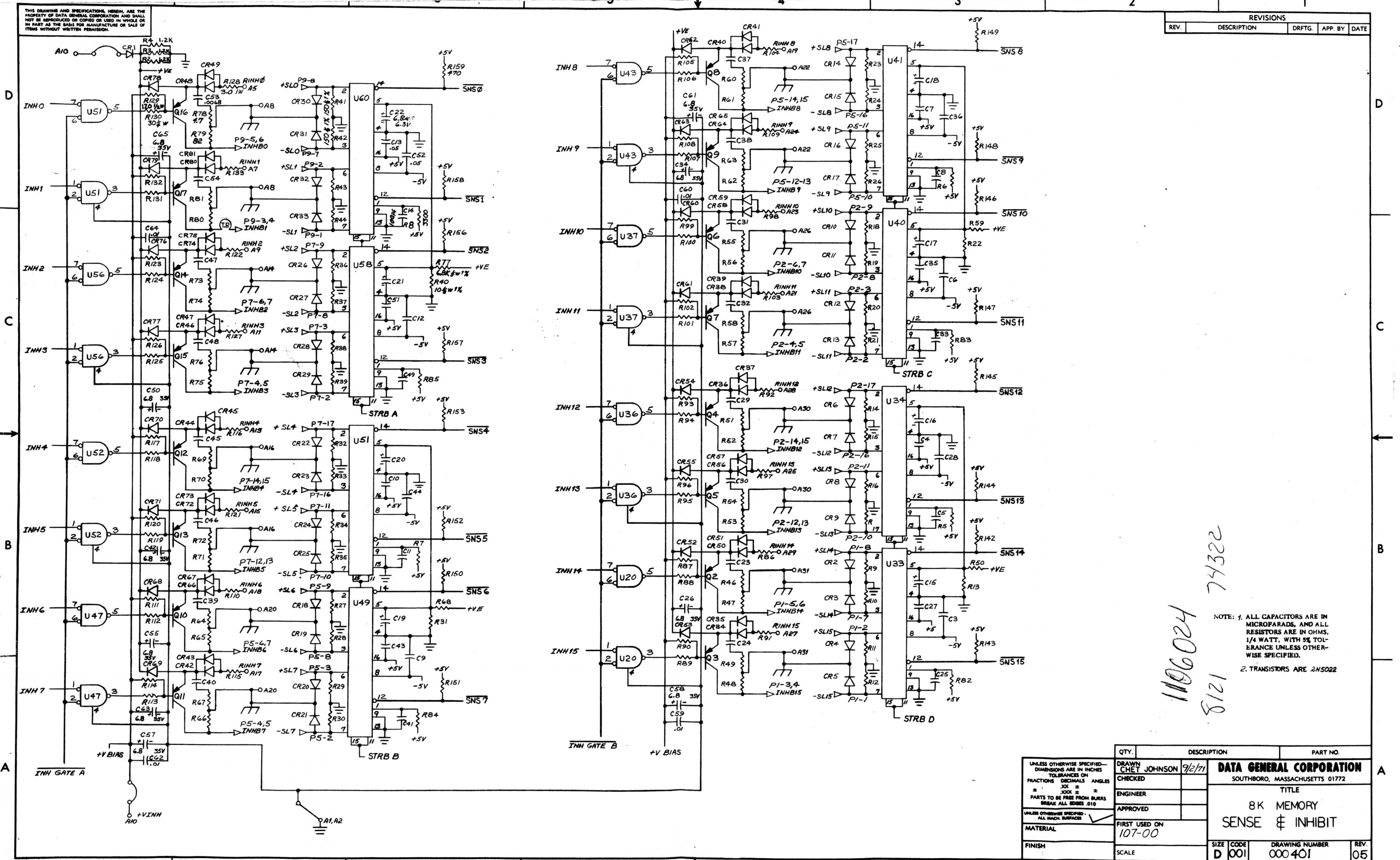
REVISIONS				
REV.	DESCRIPTION	DRFTG.	APP. BY	DATE
01	ECO * 1514	R.W.C.		8-23
02	ECO * 1514	R.W.C.		8-23
03	ECO * 2122	R.W.C.		11-27
04	ECO * 2541	R.W.C.		6-7
05	ECO * 2627	R.W.C.	C.J.	6-7



QTY.	DESCRIPTION	PART NO.
	DATA GENERAL CORPORATION	
	SOUTHBORO, MASSACHUSETTS 01772	
	TITLE	
	8K MEMORY	
	MA&MB REGISTER & CONTROL	
	1200, 1210, 1220, 1230	
	ENGINEER	4/3/83
	APPROVED	
	FIRST USED ON	107-000137 8121
	SCALE	D 001
	DRAWING NUMBER	000401
	REV.	05

THIS DRAWING AND SPECIFICATIONS HEREIN ARE THE PROPERTY OF DATA GENERAL CORPORATION AND SHALL NOT BE REPRODUCED OR COPIED OR USED IN WHOLE OR IN PART AS THE BASIS FOR MANUFACTURE OR SALE OF ITEMS WITHOUT WRITTEN PERMISSION.

REVISIONS				
REV.	DESCRIPTION	DRFTG.	APP. BY	DATE



1106024
8121
74322

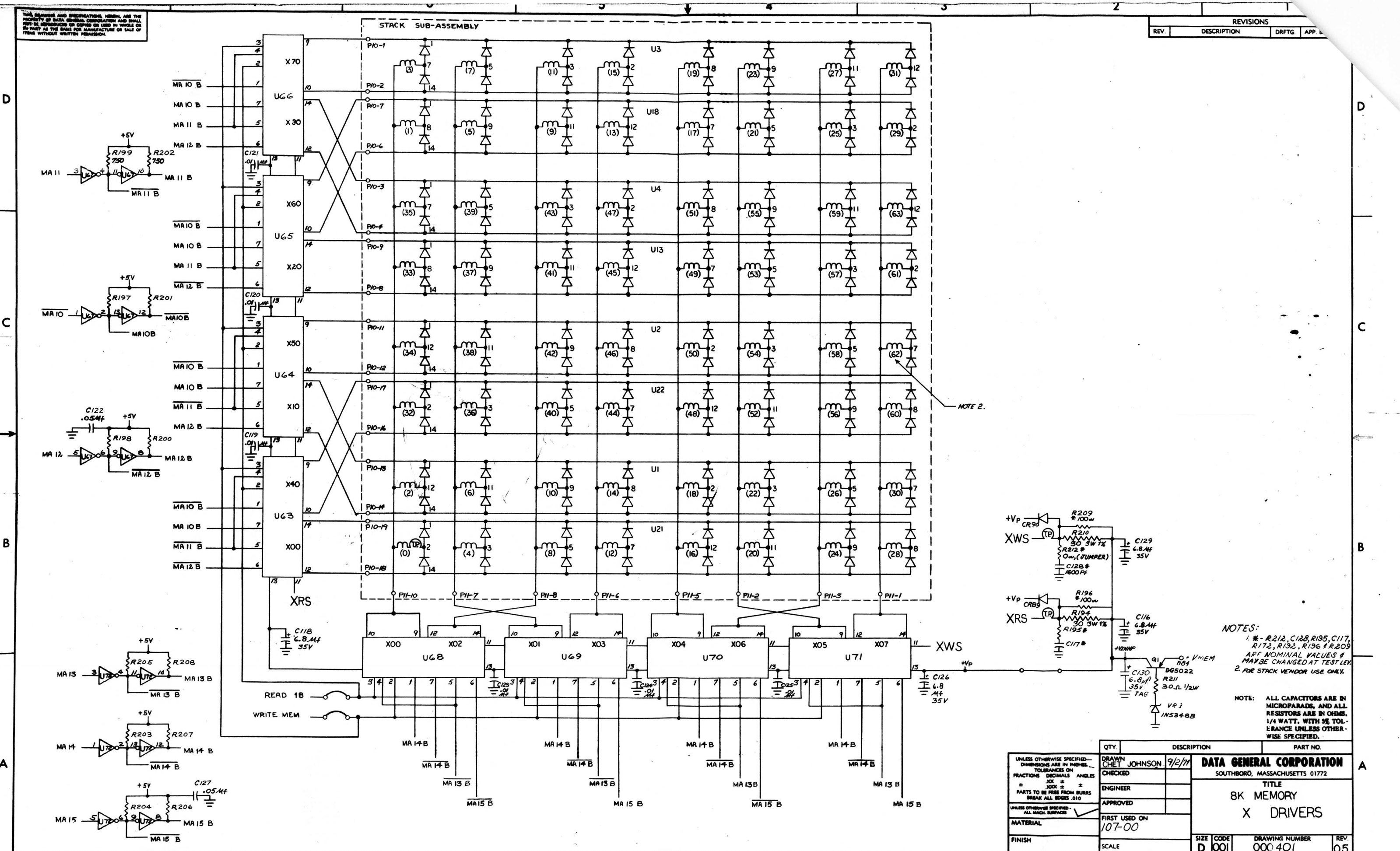
NOTE: 1. ALL CAPACITORS ARE IN MICROFARADS, AND ALL RESISTORS ARE IN OHMS, 1/4 WATT, WITH 5% TOLERANCE UNLESS OTHERWISE SPECIFIED.
2. TRANSISTORS ARE 2N5022

QTY.	DESCRIPTION	PART NO.

UNLESS OTHERWISE SPECIFIED— DIMENSIONS ARE IN INCHES TOLERANCES ON FRACTIONS DECIMALS ANGLES X.XX ± X.X ± PARTS TO BE FREE FROM BURRS BREAK ALL EDGES .010	DRAWN CHET JOHNSON 9/2/71 CHECKED ENGINEER APPROVED FIRST USED ON 107-00 SCALE	DATA GENERAL CORPORATION SOUTHBORO, MASSACHUSETTS 01772 TITLE 8K MEMORY SENSE & INHIBIT SIZE CODE D 001 DRAWING NUMBER 000 401 REV. 05
---	--	---

THIS DRAWING AND SPECIFICATIONS HEREAFTER ARE THE PROPERTY OF DATA GENERAL CORPORATION AND SHALL NOT BE REPRODUCED OR COPIED OR USED IN WHOLE OR IN PART AS THE BASIS FOR MANUFACTURE OR SALE OF ITEMS WITHOUT WRITTEN PERMISSION.

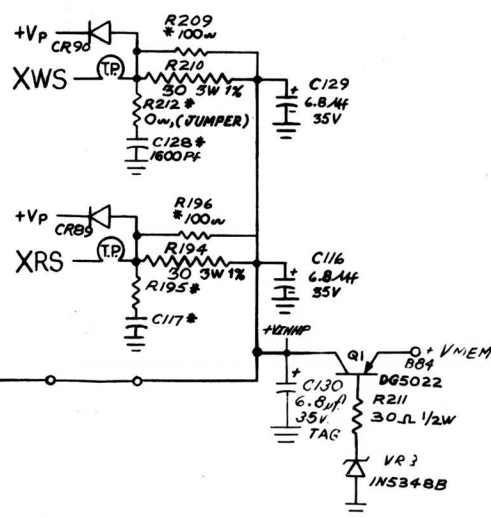
REVISIONS			
REV.	DESCRIPTION	DRFTG.	APP.



NOTE 2.

NOTES:
 1. * - R212, C128, R195, C117, R172, R192, R196, R209 ARE NOMINAL VALUES & MAY BE CHANGED AT TEST LEVEL.
 2. FOR STACK VENDOR USE ONLY.

NOTE: ALL CAPACITORS ARE IN MICROFARADS, AND ALL RESISTORS ARE IN OHMS, 1/4 WATT, WITH 5% TOLERANCE UNLESS OTHERWISE SPECIFIED.



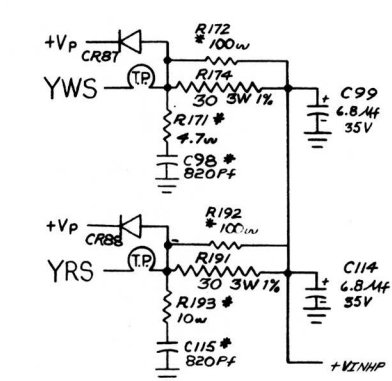
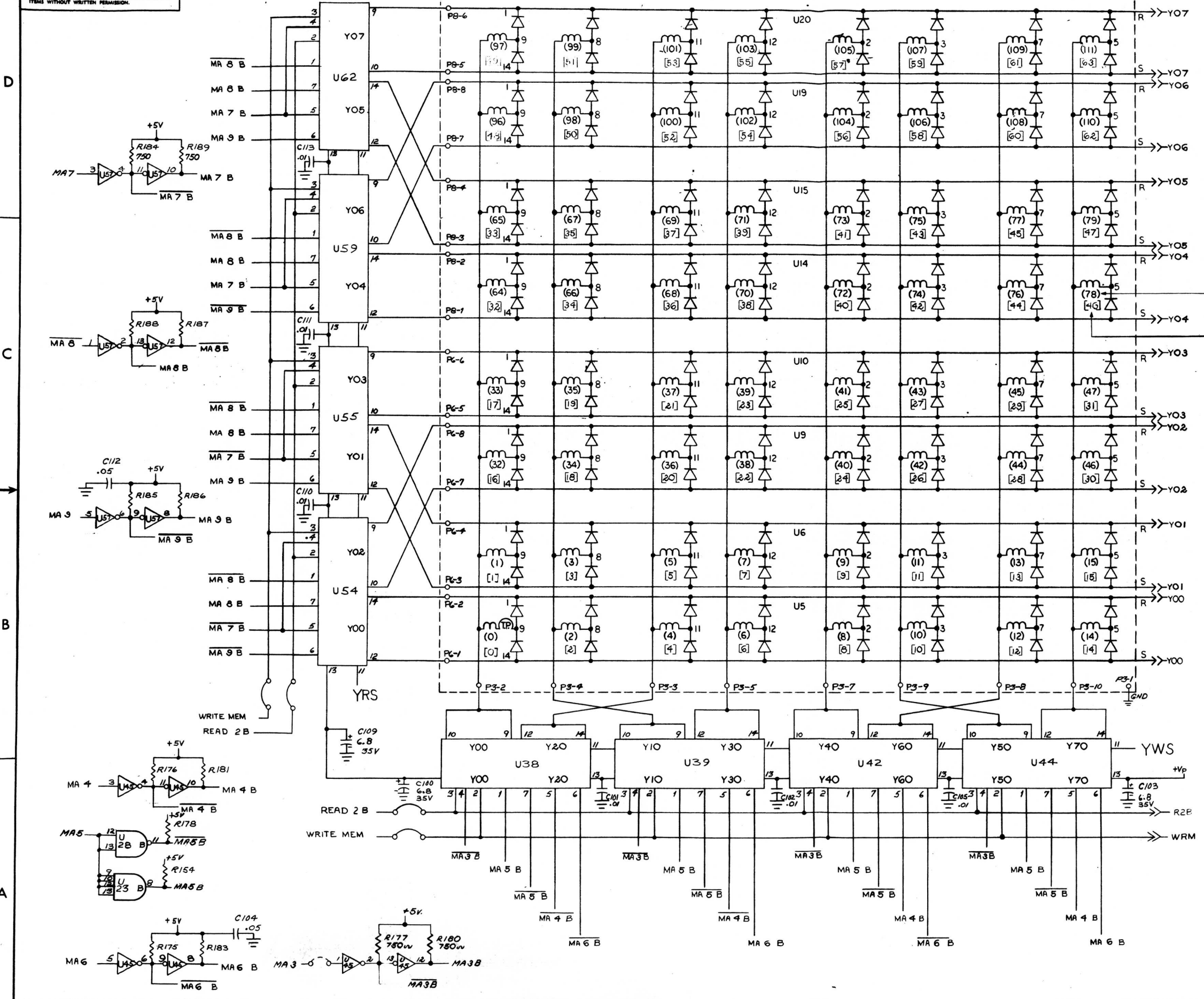
QTY.	DESCRIPTION	PART NO.

UNLESS OTHERWISE SPECIFIED - DIMENSIONS ARE IN INCHES. FRACTIONS DECIMALS ANGLES. TOLERANCES ON: .XX ± .XXX ± . PARTS TO BE FREE FROM BURRS. BREAK ALL EDGES .010. UNLESS OTHERWISE SPECIFIED - ALL MACH. SURFACES.	DRAWN: CHET JOHNSON 9/2/77 CHECKED: ENGINEER: APPROVED: FIRST USED ON: 107-00	DATA GENERAL CORPORATION SOUTHBORO, MASSACHUSETTS 01772 TITLE: BK MEMORY X DRIVERS
MATERIAL: FINISH: SCALE: SIZE: D CODE: 001 DRAWING NUMBER: 000 401 REV: 05		

THIS DRAWING AND SPECIFICATIONS HEREIN, ARE THE PROPERTY OF DATA GENERAL CORPORATION AND SHALL NOT BE REPRODUCED OR COPIED OR USED IN WHOLE OR IN PART AS THE BASIS FOR MANUFACTURE OR SALE OF ITEMS WITHOUT WRITTEN PERMISSION.

REVISIONS			
REV.	DESCRIPTION	DRFTG.	APP.

STACK SUB-ASSEMBLY



- NOTE:
1. FOR STACK VENDOR USE ONLY.
 2. (N) FOR STACK VENDOR USE ONLY ON BK STACK WIRING.
 3. END FOR STACK VENDOR USE ONLY ON BK STACK WIRING.
- S = SOURCE
R = RETURN

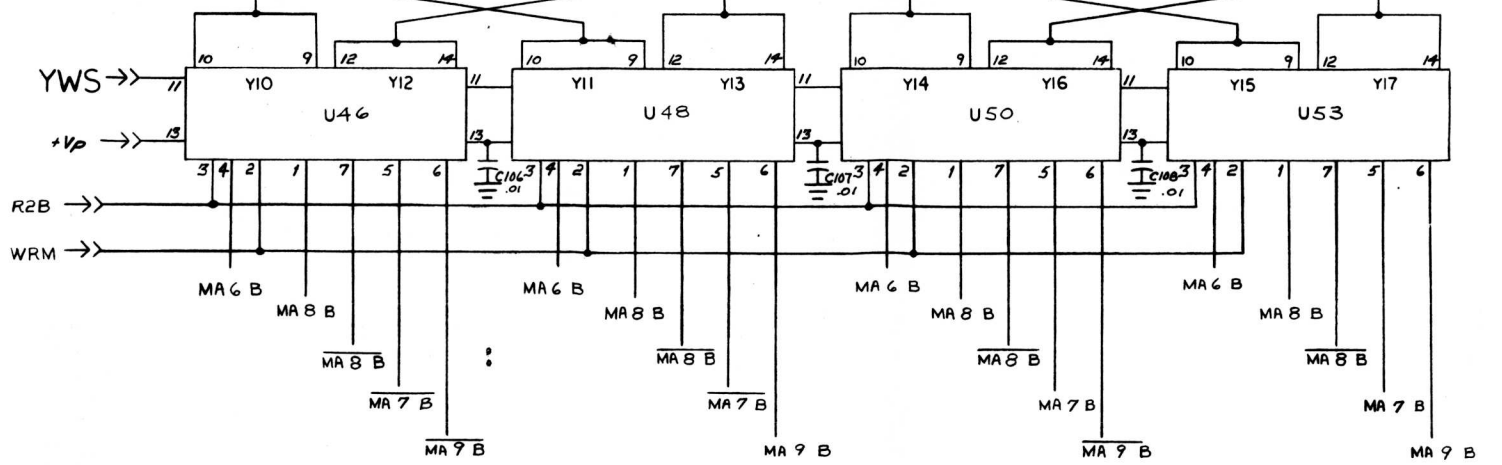
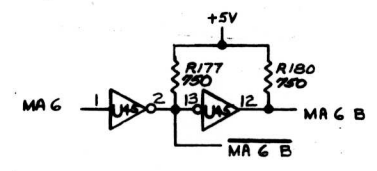
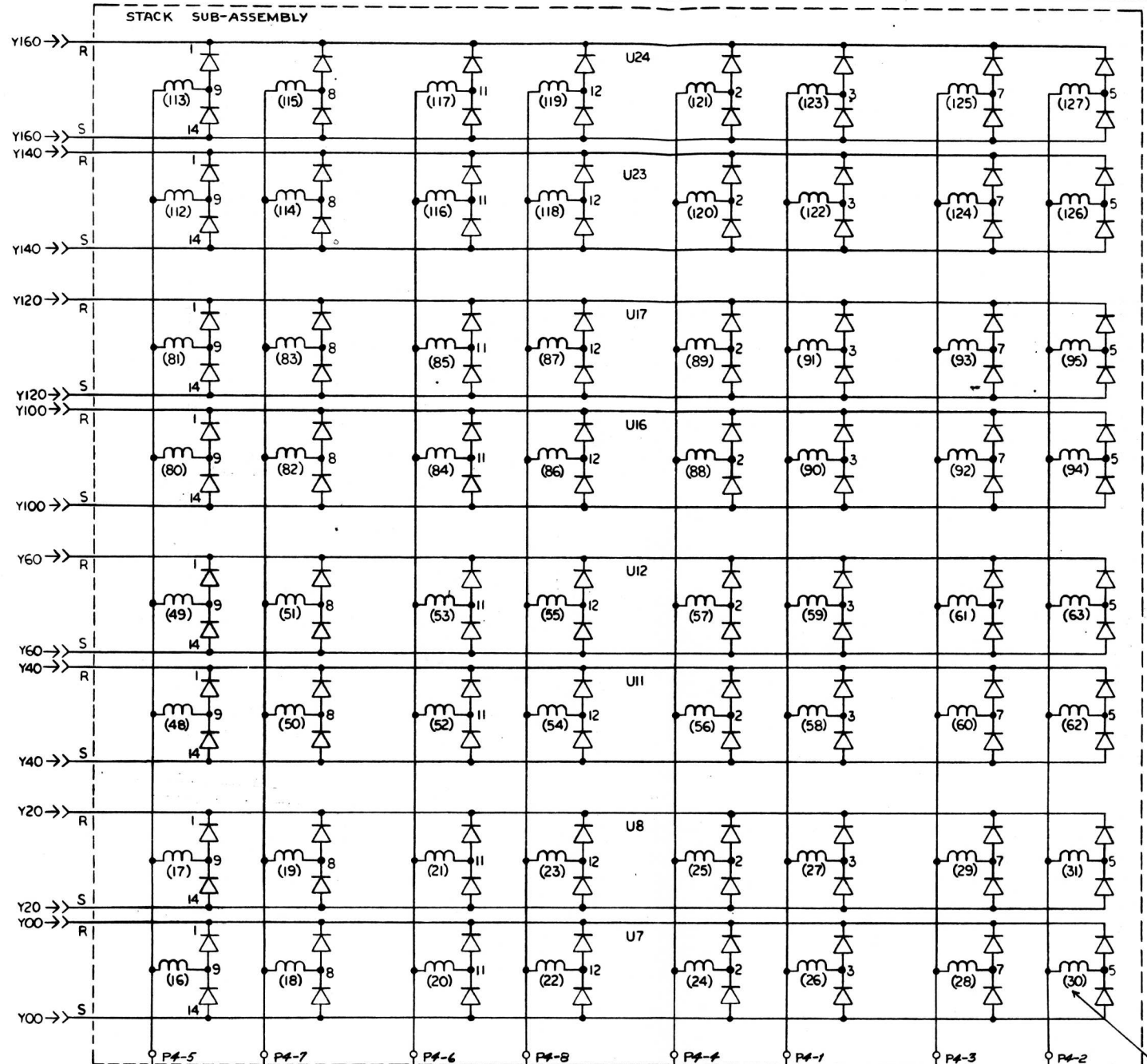
NOTE:
4. * R172, R192, R171, C99, R193 & C115 ARE NOMINAL VALUES AND MAY BE CHANGED AT TEST LEVEL.

QTY.	DESCRIPTION	PART NO.

UNLESS OTHERWISE SPECIFIED - DIMENSIONS ARE IN INCHES - TOLERANCES ON FRACTIONS DECIMALS ANGLES	DRAWN CHET JOHNSON 9/3/71	DATA GENERAL CORPORATION SOUTHBORO, MASSACHUSETTS 01772
* XX ±	CHECKED	
UNLESS OTHERWISE SPECIFIED - PARTS TO BE FREE FROM BURRS - BREAK ALL EDGES .010	ENGINEER	
MATERIAL	APPROVED	
FINISH	FIRST USED ON 107-00	TITLE 8K MEMORY Y DRIVERS
SCALE	SIZE CODE D 001	DRAWING NUMBER 000 111
		REV 05

THIS DRAWING AND SPECIFICATIONS HEREIN, ARE THE PROPERTY OF DATA GENERAL CORPORATION AND SHALL NOT BE REPRODUCED OR COPIED OR USED IN WHOLE OR IN PART AS THE BASIS FOR MANUFACTURE OR SALE OF ITEMS WITHOUT WRITTEN PERMISSION.

REVISIONS				
REV.	DESCRIPTION	DRFTG	APP BY	DATE



NOTE 1

NOTE:-
1. FOR STACK VENDOR USE ONLY.

NOTE: ALL CAPACITORS ARE IN MICROFARADS, AND ALL RESISTORS ARE IN OHMS, 1/4 WATT, WITH 5% TOLERANCE UNLESS OTHERWISE SPECIFIED.

UNLESS OTHERWISE SPECIFIED—DIMENSIONS ARE IN INCHES—TOLERANCES ON FRACTIONS DECIMALS ANGLES .XX ± .XXX ± PARTS TO BE FREE FROM BURRS BREAK ALL EDGES .010	QTY.	DESCRIPTION	PART NO.
	DRAWN	CHEK JOHNSON	9/3/77
	CHECKED		
	ENGINEER		
UNLESS OTHERWISE SPECIFIED—ALL MACH. SURFACES	APPROVED		
MATERIAL	FIRST USED ON	107-00	
FINISH	SCALE		
DRAWN		DATA GENERAL CORPORATION	
CHECKED		SOUTHBORO, MASSACHUSETTS 01772	
ENGINEER		TITLE	
APPROVED		8K MEMORY	
FIRST USED ON		Y DRIVERS	
SIZE	CODE	DRAWING NUMBER	REV
D	001	000-101	05