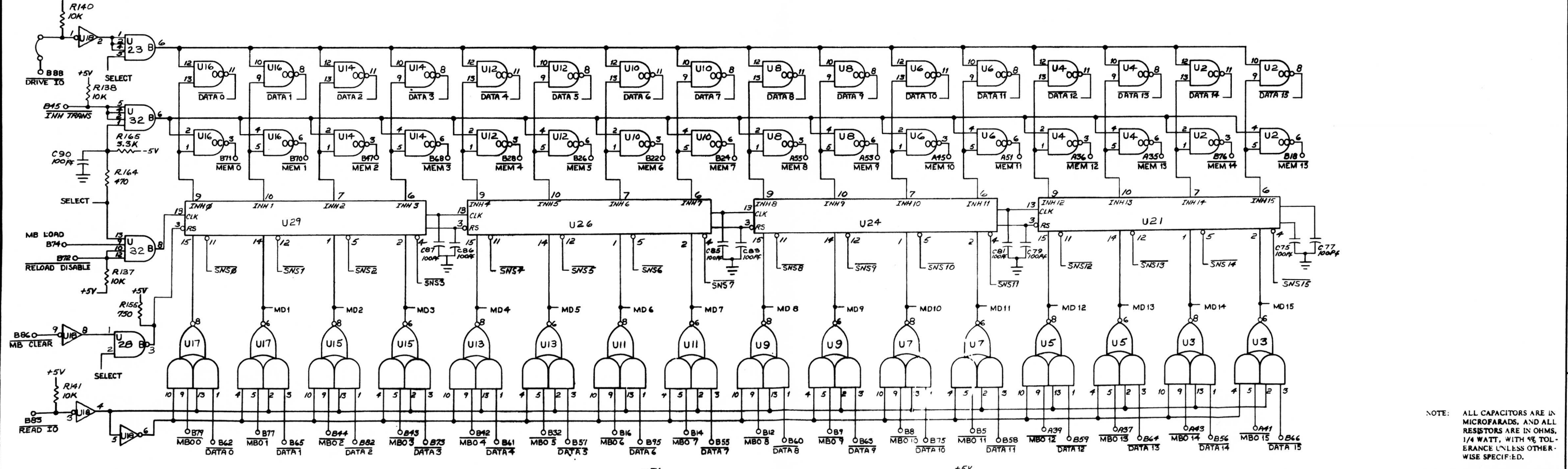
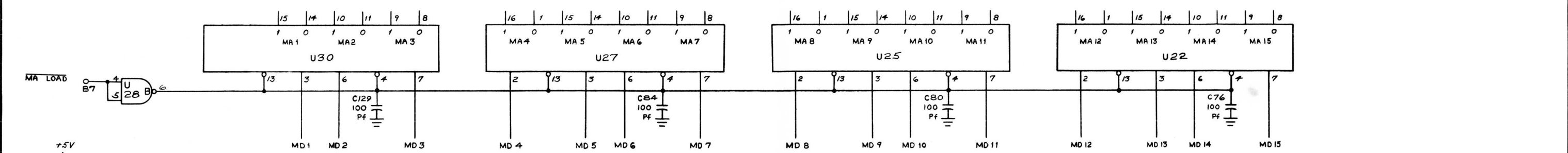
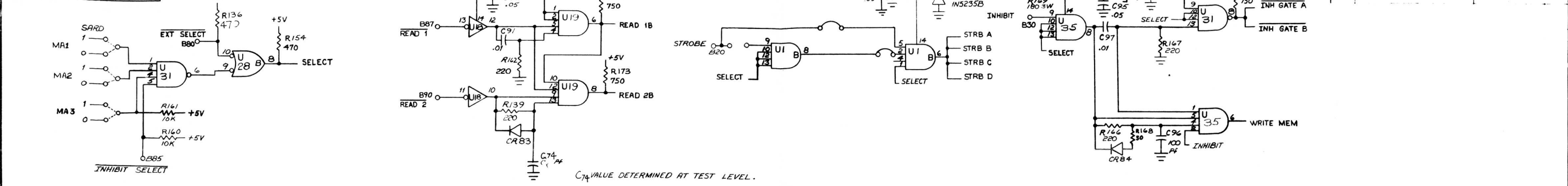


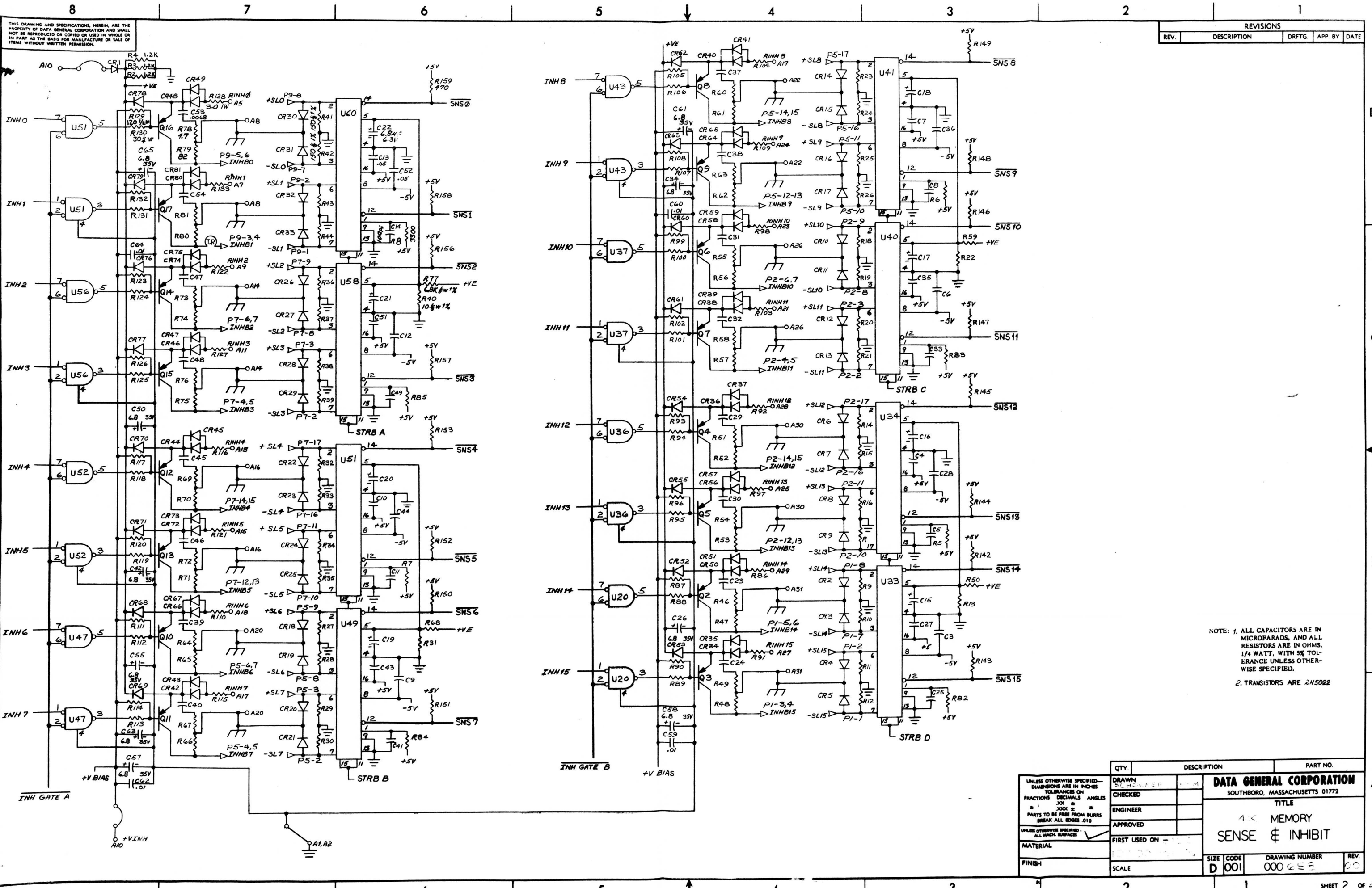
THIS DRAWING AND SPECIFICATIONS HEREIN ARE THE PROPERTY OF DATA GENERAL CORPORATION AND SHALL NOT BE REPRODUCED OR COPIED OR USED IN WHOLE OR IN PART AS THE BASIS FOR MANUFACTURE OR SALE OF ITEMS WITHOUT WRITTEN PERMISSION.

REVISIONS				
REV	DESCRIPTION	DRFTG	APP BY	DATE



NOTE: ALL CAPACITORS ARE IN MICROFARADS, AND ALL RESISTORS ARE IN OHMS, 1/4 WATT, WITH 1% TOLERANCE UNLESS OTHERWISE SPECIFIED.

<p>QTY DESCRIPTION PART NO</p>	
<p>UNLESS OTHERWISE SPECIFIED—DIMENSIONS ARE IN INCHES TOLERANCES ON FRACTIONS DECIMALS ANGLES</p>	
<p>UNLESS OTHERWISE SPECIFIED—MATERIAL ALL WASH SURFACES</p>	
<p>UNLESS OTHERWISE SPECIFIED—FINISH</p>	
<p>DATA GENERAL CORPORATION SOUTHBORO, MASSACHUSETTS 01772</p>	
<p>TITLE 4K MEMORY</p>	
<p>MA & MB REGISTER & CONTROL 1200, 1210, 1220</p>	
<p>DRAWN: [Signature] CHECKED: [Signature] ENGINEER: [Signature] APPROVED: [Signature]</p>	
<p>FIRST USED ON: [Date]</p>	
<p>SIZE CODE DRAWING NUMBER REV D 001 000 658 00</p>	



REVISIONS			
REV.	DESCRIPTION	DRFTG	APP BY DATE

NOTE: 1. ALL CAPACITORS ARE IN MICROFARADS, AND ALL RESISTORS ARE IN OHMS, 1/4 WATT, WITH 5% TOLERANCE UNLESS OTHERWISE SPECIFIED.
2. TRANSISTORS ARE 2N5022

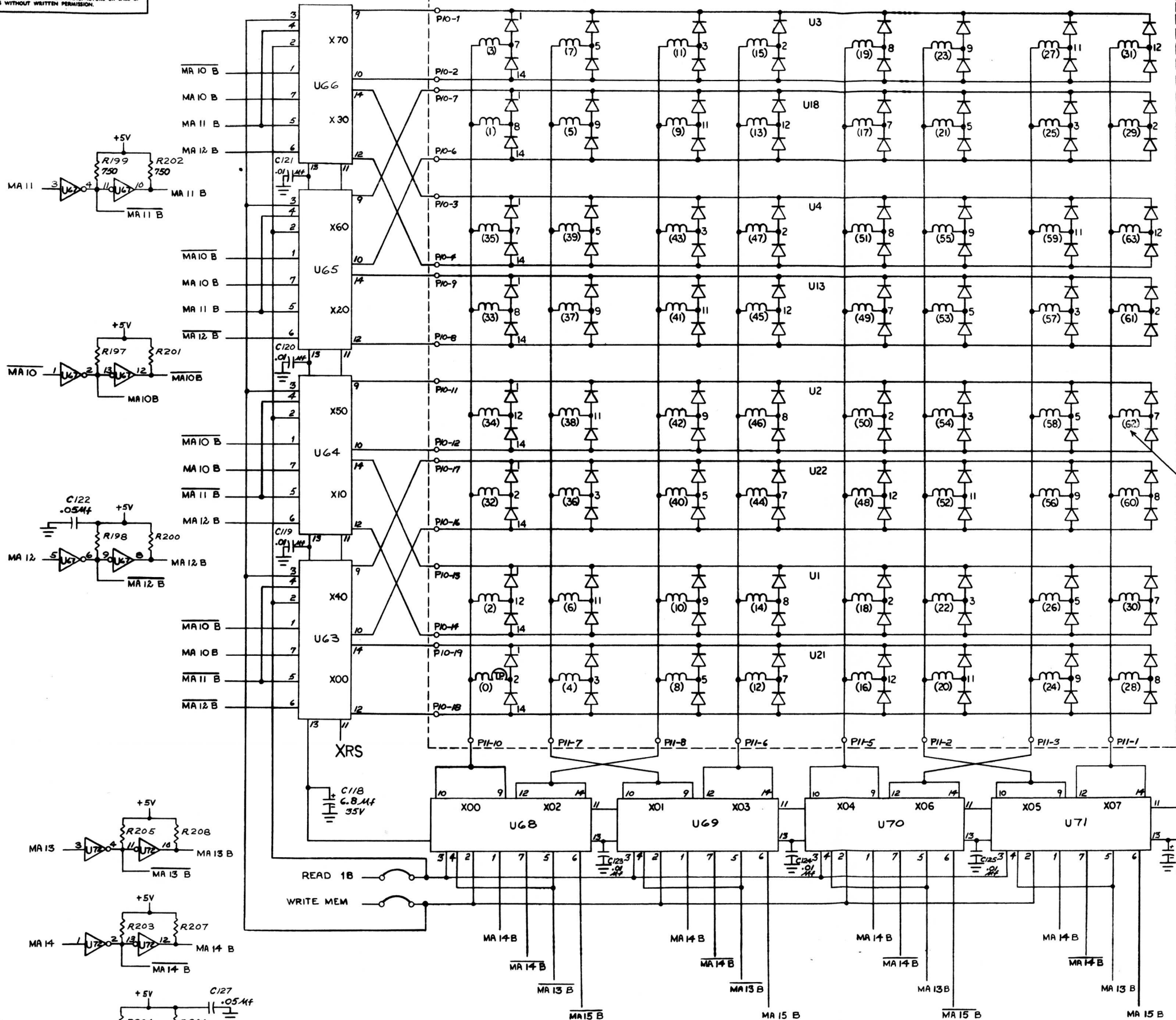
QTY.	DESCRIPTION	PART NO.

UNLESS OTHERWISE SPECIFIED— DIMENSIONS ARE IN INCHES FRACTIONS DECIMALS ANGLES X.X = X.XX = X.XXX = PARTS TO BE FREE FROM BURRS BREAK ALL EDGES .010		DATA GENERAL CORPORATION SOUTHBORO, MASSACHUSETTS 01772 TITLE 4-K MEMORY SENSE & INHIBIT
ENGINEER APPROVED FIRST USED ON	MATERIAL FINISH	
SCALE	SIZE CODE	DRAWING NUMBER
	D 001	000 655

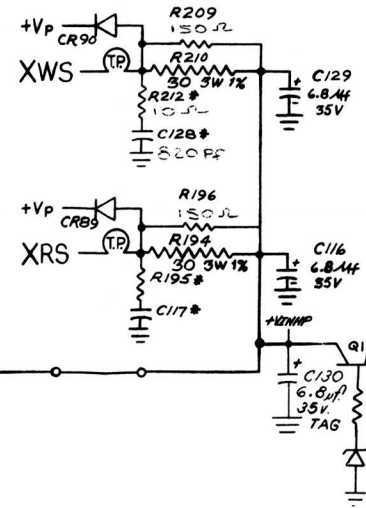
THIS DRAWING AND SPECIFICATIONS, HEREIN, ARE THE PROPERTY OF DATA GENERAL CORPORATION AND SHALL NOT BE REPRODUCED OR COPIED OR USED IN WHOLE OR IN PART AS THE BASIS FOR MANUFACTURE OR SALE OF ITEMS WITHOUT WRITTEN PERMISSION.

REVISIONS			
REV.	DESCRIPTION	DRFTG.	APP. BY DATE

STACK SUB-ASSEMBLY



NOTE 2.



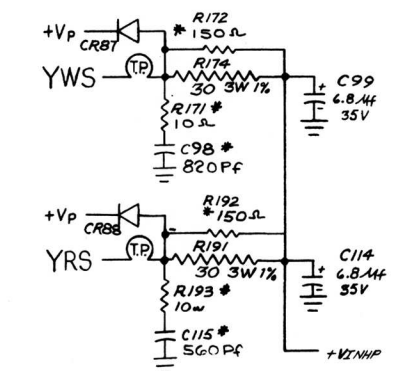
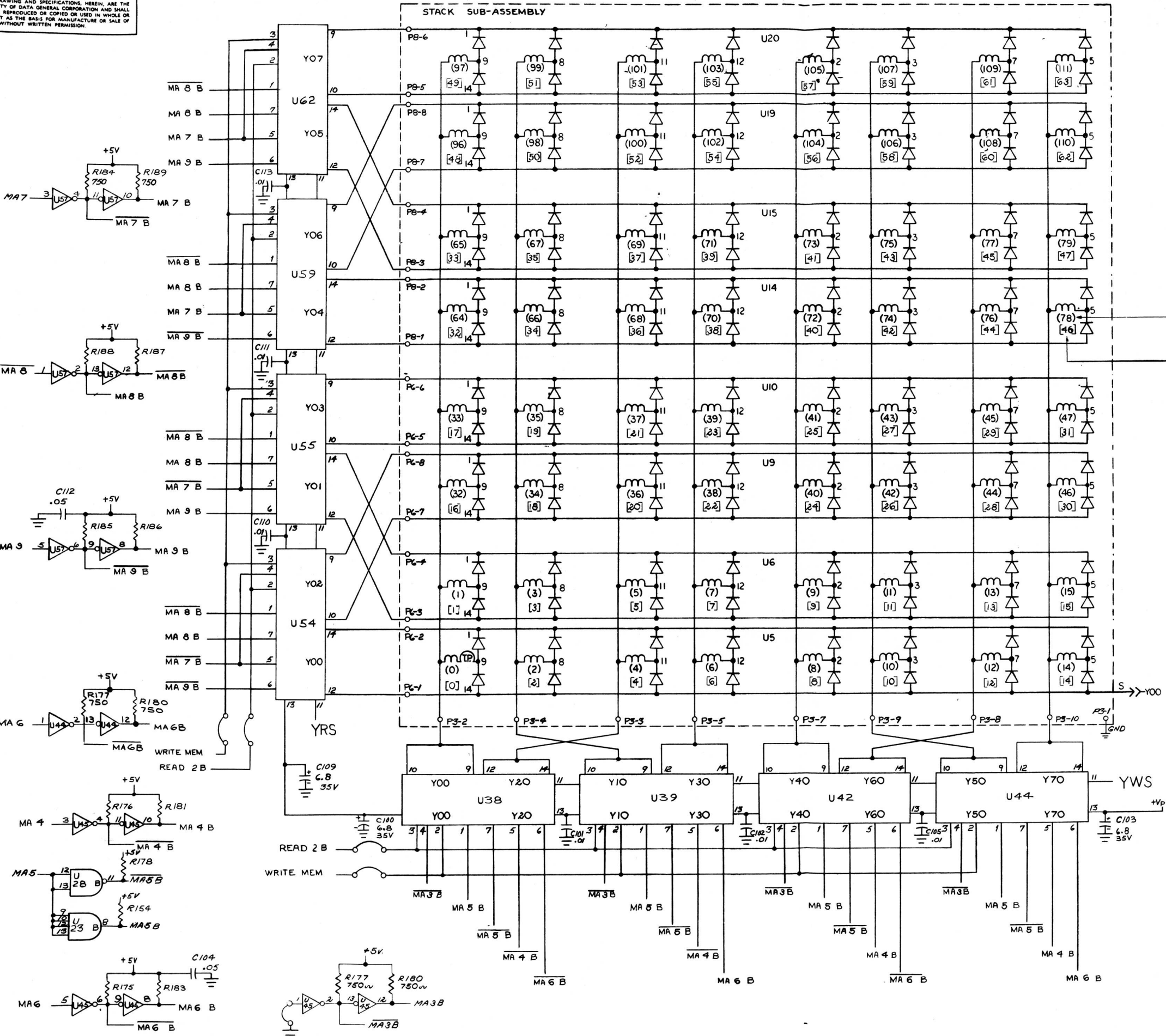
- NOTES:
- * R212, C128, R195, C117, R172, R132, R196, R205 ARE NOMINAL VALUES AND MAY BE CHANGED AT TEST LEV.
 - FOR STACK VENDOR USE ONLY.
 - C117 & R195 ARE TYPICALLY LEFT OUT.

NOTE: ALL CAPACITORS ARE IN MICROPARADS, AND ALL RESISTORS ARE IN OHMS, 1/4 WATT, WITH 5% TOLERANCE UNLESS OTHERWISE SPECIFIED.

UNLESS OTHERWISE SPECIFIED— DIMENSIONS ARE IN INCHES— TOLERANCES ON FRACTIONS DECIMALS ANGLES X.X ± .005 X.XX ± .002 X.XXX ± .001 PARTS TO BE FREE FROM BURRS BREAK ALL EDGES .010	QTY.	DESCRIPTION	PART NO.
	CHECKED	4-10-71	DATA GENERAL CORPORATION SOUTHBORO, MASSACHUSETTS 01772
UNLESS OTHERWISE SPECIFIED— ALL MACH. SURFACES	ENGINEER	TITLE 4K MEMORY X DRIVERS	
MATERIAL	APPROVED	FIRST USED ON	8120
FINISH	SCALE	107-000137-06	DRAWING NUMBER 000658
	SIZE	CODE	REV 00
	D	001	

THIS DRAWING AND SPECIFICATIONS, HEREIN, ARE THE PROPERTY OF DATA GENERAL CORPORATION AND SHALL NOT BE REPRODUCED OR COPIED OR USED IN WHOLE OR IN PART AS THE BASIS FOR MANUFACTURE OR SALE OF ITEMS WITHOUT WRITTEN PERMISSION.

REVISIONS			
REV.	DESCRIPTION	DRFTG	APP BY DATE



NOTE 2
NOTE 3

- NOTE:
 1. FOR STACK VENDOR USE ONLY.
 2. (N) FOR STACK VENDOR USE ONLY ON BK STACK WIRING.
 3. (N) FOR STACK VENDOR USE ONLY ON BK STACK WIRING.
 S = SOURCE
 R = RETURN

NOTE:
 4. * R172, R192, R171, C99, R193, C114 ARE NOMINAL VALUES AND MAY BE CHANGED AT TEST LEVEL.

QTY.	DESCRIPTION	PART NO.

DRAWN SCHOENER		9-10-74		DATA GENERAL CORPORATION	
CHECKED				SOUTHBORO, MASSACHUSETTS 01772	
ENGINEER				TITLE	
APPROVED				4K MEMORY	
				Y DRIVERS	
FIRST USED ON		8120		SIZE	
MATERIAL		107-000137-06		CODE	
FINISH				DRAWING NUMBER	
				000 658	
				REV	
				00	

D
C
B
A