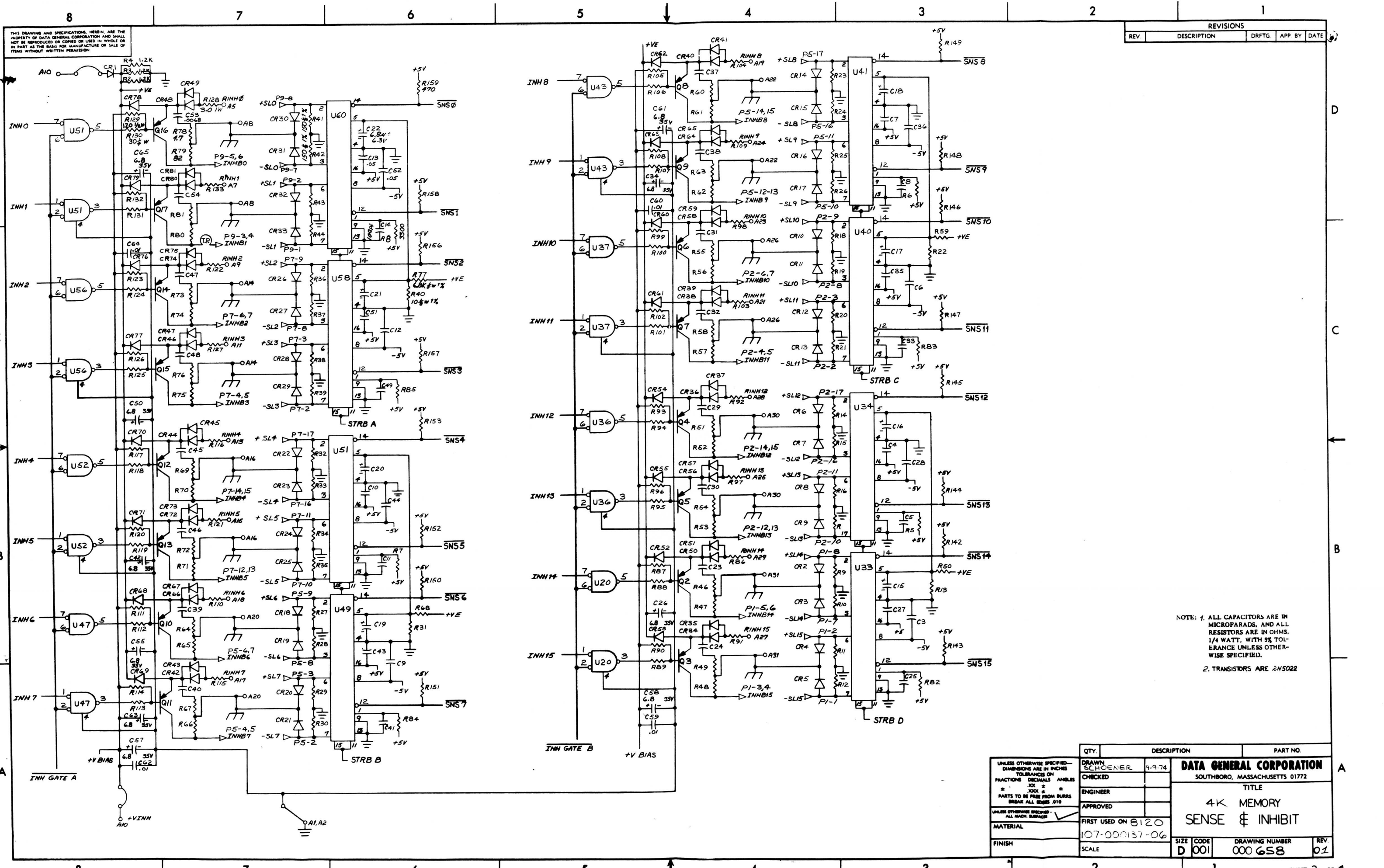


REVISIONS				
REV	DESCRIPTION	DRFTG	APP BY	DATE
01	PER ECO 4155	AB	W	7-5-77

QTY.	DESCRIPTION	PART NO.
	<b>DRAWN</b> SCHOENER	9-9-74
	<b>CHECKED</b>	7-13-74
	<b>ENGINEER</b> [Signature]	9-10-74
	<b>APPROVED</b>	
	FIRST USED ON 8120	
	107-000137-06	
	SCALE	

DATA GENERAL CORPORATION	
SOUTHBORO, MASSACHUSETTS 01772	
TITLE	
4K MEMORY	
MA & MB REGISTER & CONTROL	
1200, 1210, 1220	
SIZE CODE	D 001
DRAWING NUMBER	000 658
REV	01



THIS DRAWING AND SPECIFICATIONS, HEREIN, ARE THE PROPERTY OF DATA GENERAL CORPORATION AND SHALL NOT BE REPRODUCED OR COPIED OR USED IN WHOLE OR IN PART AS THE BASIS FOR MANUFACTURE OR SALE OF ITEMS WITHOUT WRITTEN PERMISSION.

REVISIONS				
REV	DESCRIPTION	DRFTG	APP BY	DATE

NOTE: 1. ALL CAPACITORS ARE IN MICROFARADS, AND ALL RESISTORS ARE IN OHMS, 1/4 WATT, WITH 5% TOLERANCE UNLESS OTHERWISE SPECIFIED.  
 2. TRANSISTORS ARE 2N5022

QTY.	DESCRIPTION	PART NO.

UNLESS OTHERWISE SPECIFIED— DIMENSIONS ARE IN INCHES TOLERANCES ON FRACTIONS DECIMALS ANGLES X .001 X .1	DRAWN SCHOENER 4-9-74	<b>DATA GENERAL CORPORATION</b> SOUTHBORO, MASSACHUSETTS 01772
PARTS TO BE FREE FROM BURRS BREAK ALL EDGES .010	CHECKED ENGINEER	TITLE <b>4K MEMORY SENSE &amp; INHIBIT</b>
UNLESS OTHERWISE SPECIFIED— ALL HATCH SURFACES	APPROVED FIRST USED ON 8120	SIZE CODE D 001
MATERIAL	107-000137-06	DRAWING NUMBER 000 658
FINISH	SCALE	REV. 01

8

7

6

5

4

3

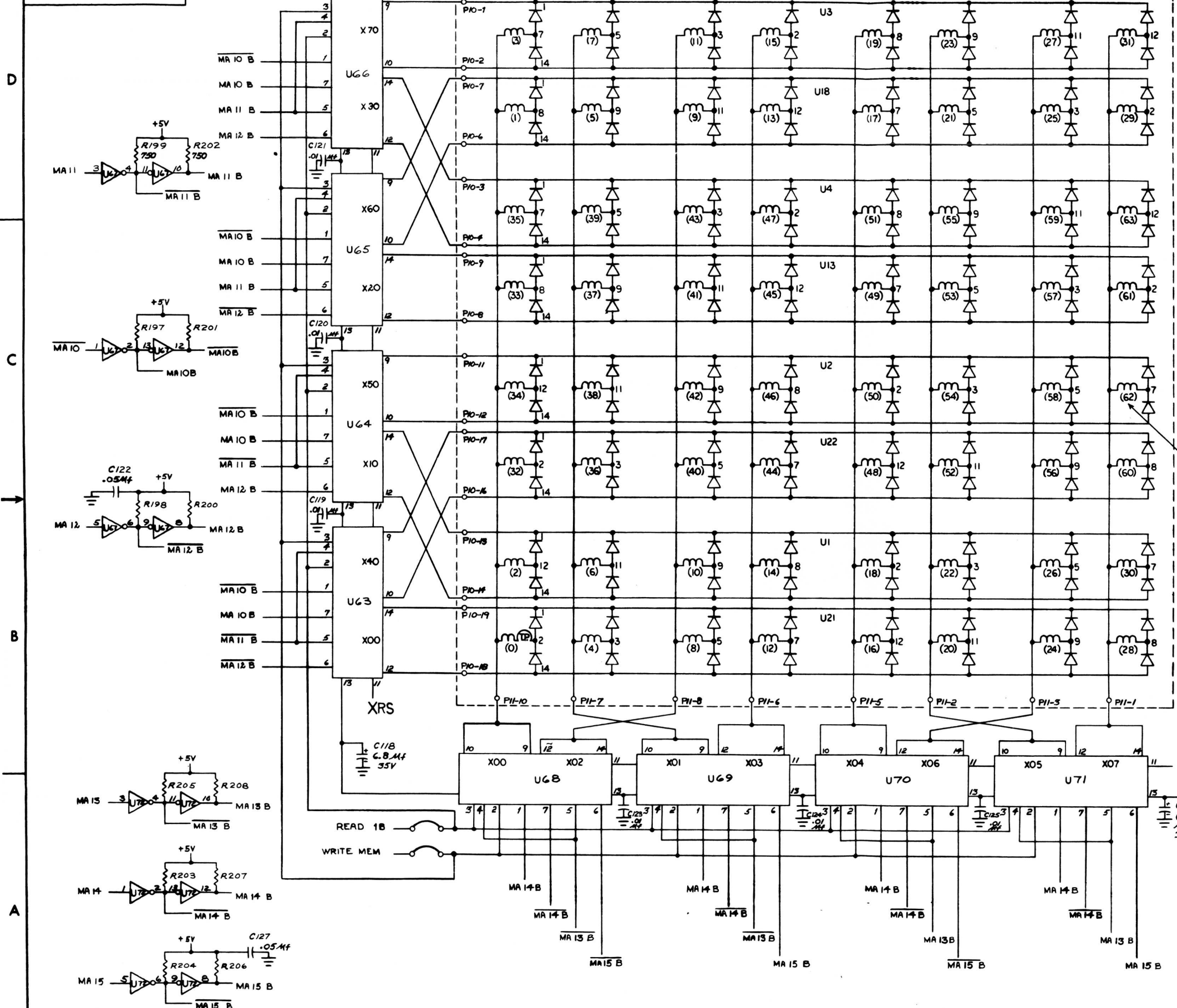
2

1

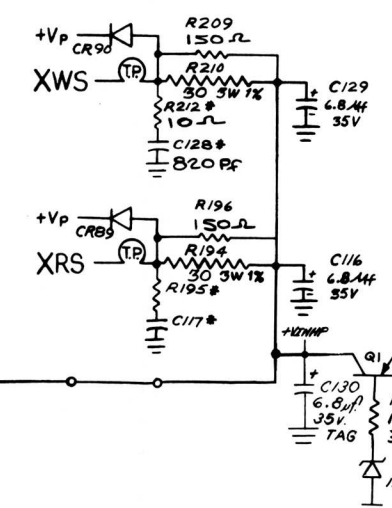
THIS DRAWING AND SPECIFICATIONS, HEREIN, ARE THE PROPERTY OF DATA GENERAL CORPORATION AND SHALL NOT BE REPRODUCED OR COPIED OR USED IN WHOLE OR IN PART AS THE BASIS FOR MANUFACTURE OR SALE OF ITEMS WITHOUT WRITTEN PERMISSION.

REVISIONS				
REV.	DESCRIPTION	DRFTG.	APP. BY	DATE

STACK SUB-ASSEMBLY



NOTE 2.



- NOTES:
- \* R212, C128, R195, C117, R172, R132, R196, & R209 ARE NOMINAL VALUES AND MAY BE CHANGED AT TEST LEVEL.
  - FOR STACK VENDOR USE ONLY.
  - C117 & R195 ARE TYPICALLY LEFT OUT.

NOTE: ALL CAPACITORS ARE IN MICROFARADS, AND ALL RESISTORS ARE IN OHMS. 1/4 WATT, WITH 5% TOLERANCE UNLESS OTHERWISE SPECIFIED.

QTY.	DESCRIPTION	PART NO.
UNLESS OTHERWISE SPECIFIED—DIMENSIONS ARE IN INCHES—TOLERANCES ON FRACTIONS DECIMALS ANGLES		
X .001		
X .005		
X .010		
X .015		
X .020		
X .030		
X .040		
X .050		
X .060		
X .070		
X .080		
X .090		
X .100		
X .125		
X .150		
X .175		
X .200		
X .250		
X .300		
X .375		
X .450		
X .500		
X .625		
X .750		
X .875		
X 1.000		
X 1.250		
X 1.500		
X 1.750		
X 2.000		
X 2.500		
X 3.000		
X 3.750		
X 4.500		
X 5.000		
X 5.625		
X 6.250		
X 7.000		
X 7.500		
X 8.000		
X 9.000		
X 10.000		
X 11.000		
X 12.000		
X 13.000		
X 14.000		
X 15.000		
X 16.000		
X 17.000		
X 18.000		
X 19.000		
X 20.000		
X 21.000		
X 22.000		
X 23.000		
X 24.000		
X 25.000		
X 26.000		
X 27.000		
X 28.000		
X 29.000		
X 30.000		
X 31.000		
X 32.000		
X 33.000		
X 34.000		
X 35.000		
X 36.000		
X 37.000		
X 38.000		
X 39.000		
X 40.000		
X 41.000		
X 42.000		
X 43.000		
X 44.000		
X 45.000		
X 46.000		
X 47.000		
X 48.000		
X 49.000		
X 50.000		
X 51.000		
X 52.000		
X 53.000		
X 54.000		
X 55.000		
X 56.000		
X 57.000		
X 58.000		
X 59.000		
X 60.000		
X 61.000		
X 62.000		
X 63.000		
X 64.000		
X 65.000		
X 66.000		
X 67.000		
X 68.000		
X 69.000		
X 70.000		
X 71.000		
X 72.000		
X 73.000		
X 74.000		
X 75.000		
X 76.000		
X 77.000		
X 78.000		
X 79.000		
X 80.000		
X 81.000		
X 82.000		
X 83.000		
X 84.000		
X 85.000		
X 86.000		
X 87.000		
X 88.000		
X 89.000		
X 90.000		
X 91.000		
X 92.000		
X 93.000		
X 94.000		
X 95.000		
X 96.000		
X 97.000		
X 98.000		
X 99.000		
X 100.000		

DRAWN SCHOENER				<b>DATA GENERAL CORPORATION</b>			
CHECKED				SOUTHBORO, MASSACHUSETTS 01772			
ENGINEER				TITLE			
APPROVED				4K MEMORY X DRIVERS			
FIRST USED ON 8120				DRAWING NUMBER			
107-000137-06				000658			
MATERIAL				REV.			
FINISH				0Z			

8

7

6

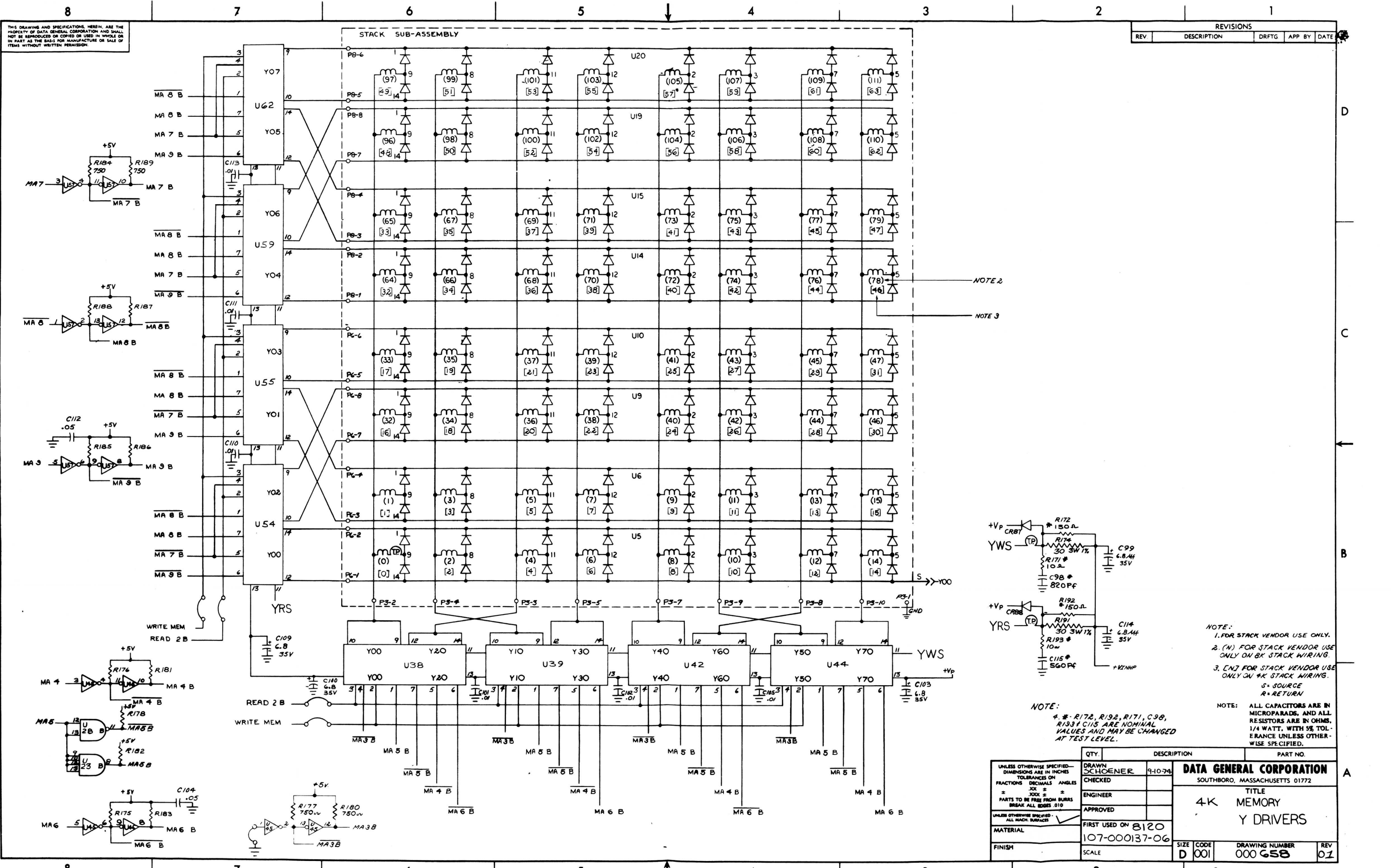
5

4

3

2

1

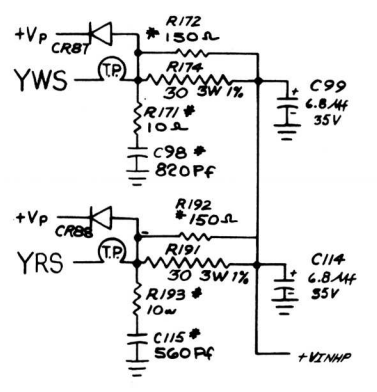


THIS DRAWING AND SPECIFICATIONS, HEREIN, ARE THE PROPERTY OF DATA GENERAL CORPORATION AND SHALL NOT BE REPRODUCED OR COPIED OR USED IN WHOLE OR IN PART AS THE BASIS FOR MANUFACTURE OR SALE OF ITEMS WITHOUT WRITTEN PERMISSION.

REVISIONS				
REV	DESCRIPTION	DRFTG	APP BY	DATE

NOTE 2

NOTE 3



- NOTE:
1. FOR STACK VENDOR USE ONLY.
  2. (N) FOR STACK VENDOR USE ONLY ON BK STACK WIRING.
  3. EN7 FOR STACK VENDOR USE ONLY ON \*K STACK WIRING.  
S = SOURCE  
R = RETURN

- NOTE:
4. \* R172, R192, R171, C99, R133 & C115 ARE NOMINAL VALUES AND MAY BE CHANGED AT TEST LEVEL.

NOTE: ALL CAPACITORS ARE IN MICROFARADS, AND ALL RESISTORS ARE IN OHMS, 1/4 WATT, WITH 5% TOLERANCE UNLESS OTHERWISE SPECIFIED.

QTY.	DESCRIPTION	PART NO.

UNLESS OTHERWISE SPECIFIED—DIMENSIONS ARE IN INCHES—TOLERANCES ON FRACTIONS DECIMALS ANGLES		<b>DATA GENERAL CORPORATION</b> SOUTHBORO, MASSACHUSETTS 01772 TITLE <b>4K MEMORY Y DRIVERS</b>
±	XXX ±	
PARTS TO BE FREE FROM BURRS BREAK ALL EDGES .010		
UNLESS OTHERWISE SPECIFIED—ALL MACH SURFACES		
MATERIAL	FIRST USED ON 8120	SIZE CODE D 001
FINISH	107-000137-06	
	SCALE	REV 01