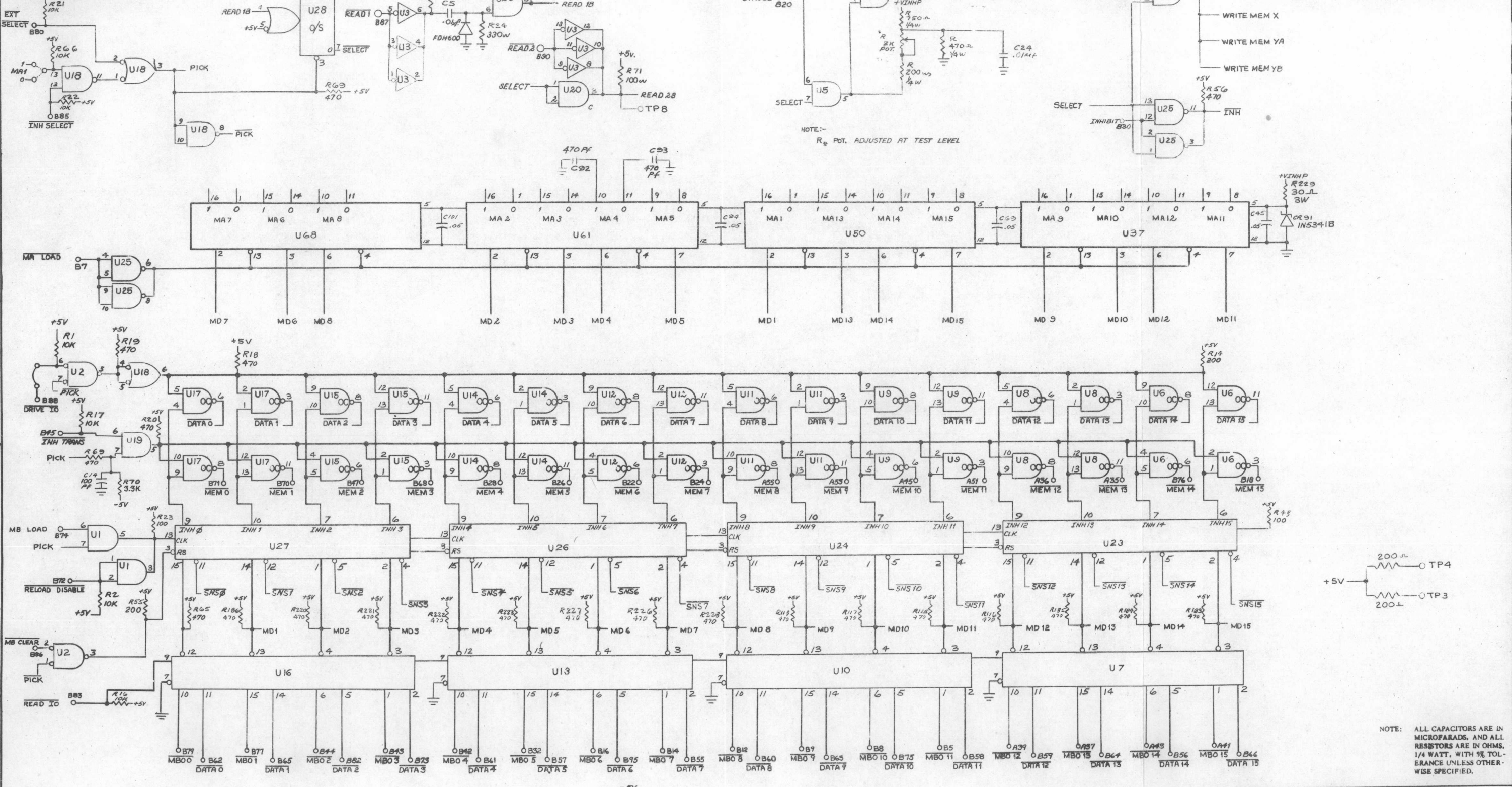


THIS DRAWING AND SPECIFICATIONS, HEREIN, ARE THE PROPERTY OF DATA GENERAL CORPORATION AND SHALL NOT BE REPRODUCED OR COPIED OR USED IN WHOLE OR IN PART AS THE BASIS FOR MANUFACTURE OR SALE OF ITEMS WITHOUT WRITTEN PERMISSION.

REVISIONS				
REV.	DESCRIPTION	DRFTG	APP BY	DATE
00	ECO # 2990	BB		8-13-75

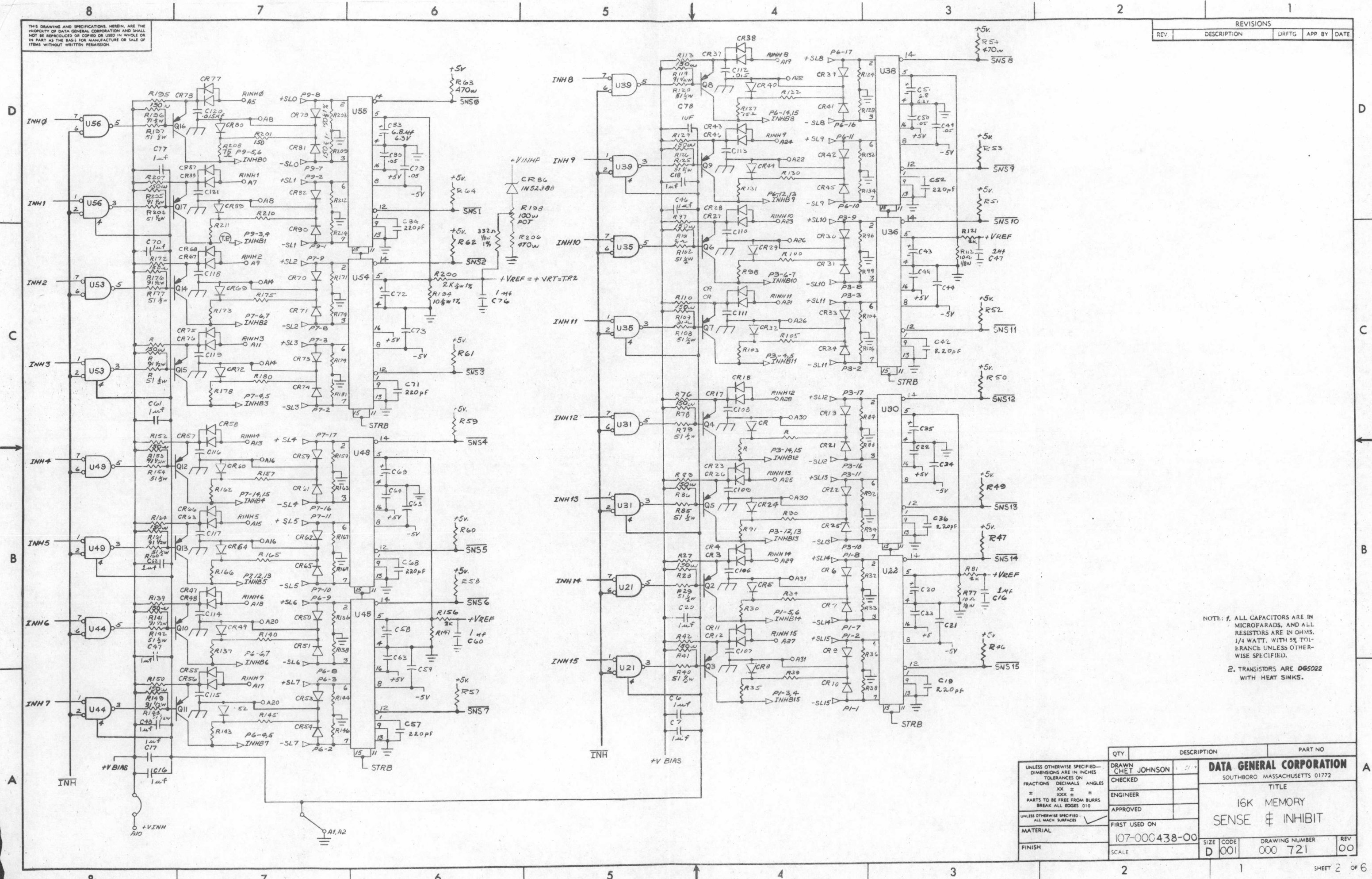


NOTE: ALL CAPACITORS ARE IN MICROFARADS, AND ALL RESISTORS ARE IN OHMS, 1/4 WATT, WITH 5% TOLERANCE UNLESS OTHERWISE SPECIFIED.

ARTWORK: 107000438		QTY.		DESCRIPTION		PART NO.	
REV	SCHEMATIC REVISION	00	00	DRAWN CHET JOHNSON		DATA GENERAL CORPORATION SOUTHBORO, MASSACHUSETTS 01772	
UNLESS OTHERWISE SPECIFIED— DIMENSIONS ARE IN INCHES TOLERANCES ON FRACTIONS DECIMALS ANGLES XX ± PARTS TO BE FREE FROM BURRS BREAK ALL EDGES .010		ENGINEER		APPROVED		TITLE 16K MEMORY MA & MB REGISTER & CONTROL	
UNLESS OTHERWISE SPECIFIED— ALL MACH. SURFACES		MATERIAL		FIRST USED ON 8117		DRAWING NUMBER 000 721	
FINISH		SCALE		107-000438-00		REV 00	

THIS DRAWING AND SPECIFICATIONS, HEREIN, ARE THE PROPERTY OF DATA GENERAL CORPORATION AND SHALL NOT BE REPRODUCED OR COPIED OR USED IN WHOLE OR IN PART AS THE BASIS FOR MANUFACTURE OR SALE OF ITEMS WITHOUT WRITTEN PERMISSION.

REVISIONS				
REV	DESCRIPTION	DRFTG	APP BY	DATE



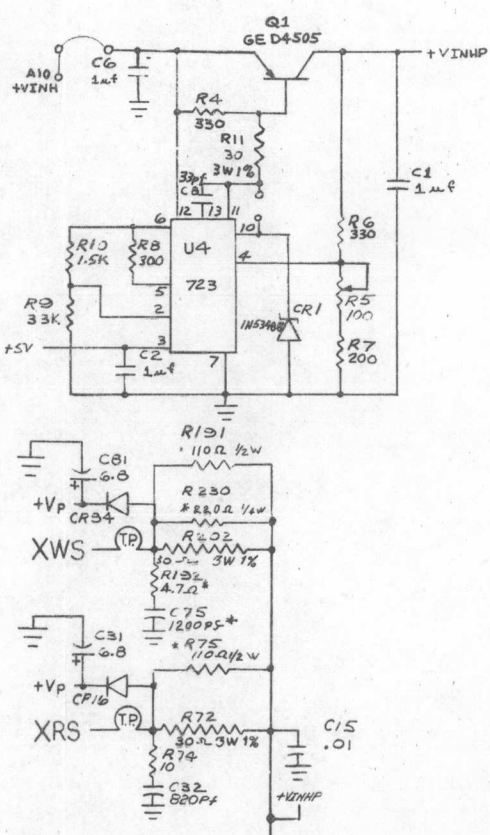
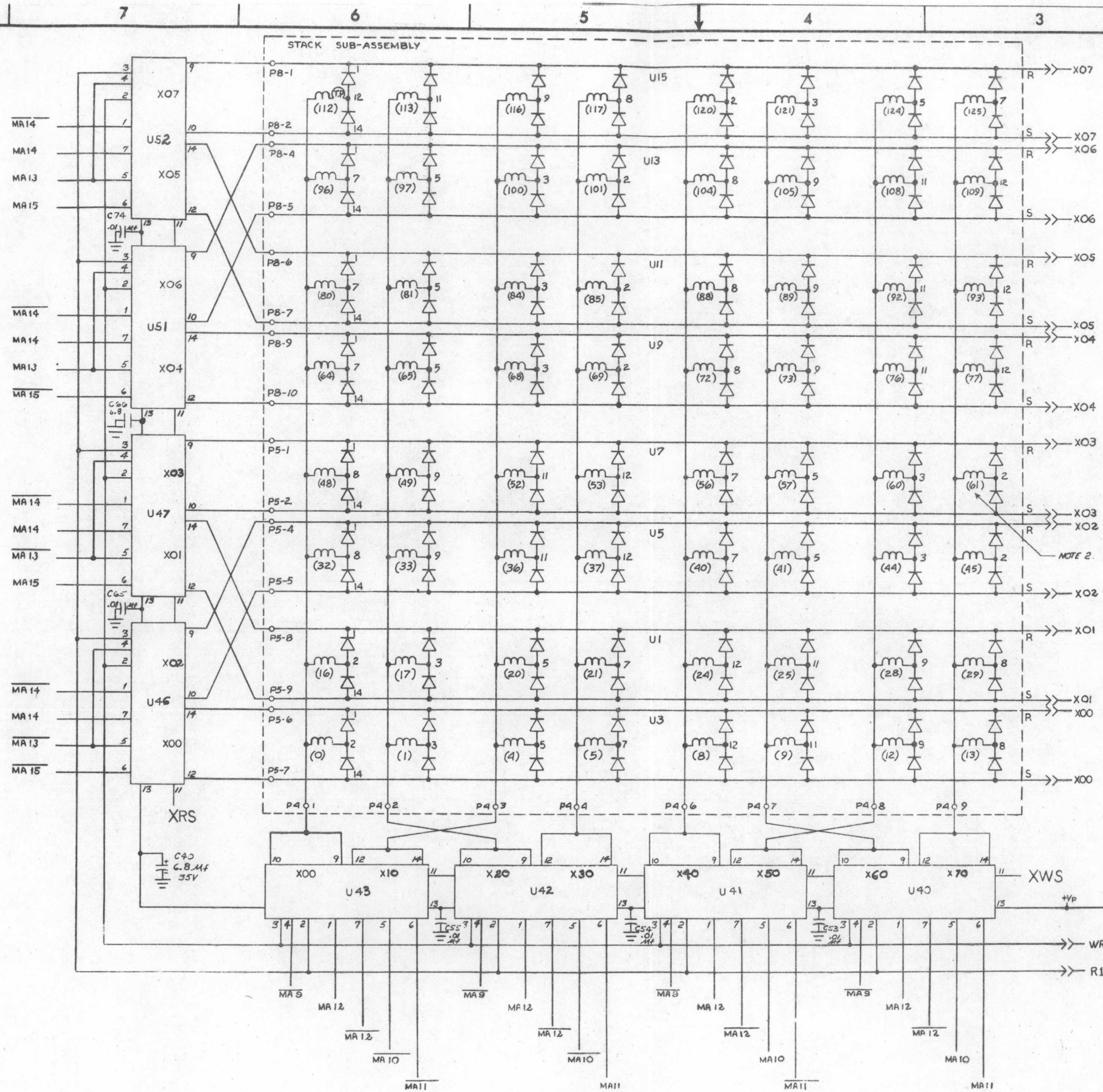
NOTE: 1. ALL CAPACITORS ARE IN MICROFARADS, AND ALL RESISTORS ARE IN OHMS, 1/4 WATT, WITH 5% TOLERANCE UNLESS OTHERWISE SPECIFIED.
2. TRANSISTORS ARE D65022 WITH HEAT SINKS.

QTY	DESCRIPTION	PART NO

UNLESS OTHERWISE SPECIFIED— DIMENSIONS ARE IN INCHES FRACTIONS DECIMALS ANGLES XX ± = PARTS TO BE FREE FROM BURRS BREAK ALL EDGES 010		DRAWN CHET JOHNSON		DATE 1 7 72	
UNLESS OTHERWISE SPECIFIED ALL MACH SURFACES		ENGINEER		APPROVED	
MATERIAL		FIRST USED ON		107-000438-00	
FINISH		SCALE	SIZE	CODE	DRAWING NUMBER
			D	001	000 721
					REV
					00

THIS DRAWING AND SPECIFICATIONS, HEREIN, ARE THE PROPERTY OF DATA GENERAL CORPORATION AND SHALL NOT BE REPRODUCED OR COPIED OR USED IN WHOLE OR IN PART AS THE BASIS FOR MANUFACTURE OR SALE OF ITEMS WITHOUT WRITTEN PERMISSION.

REVISIONS				
REV	DESCRIPTION	DRFTG	APP BY	DATE



NOTE:
 1. CR MAY BE VARIED AT TEST LEVEL.
 2. FOR STACK VENDOR USE ONLY.

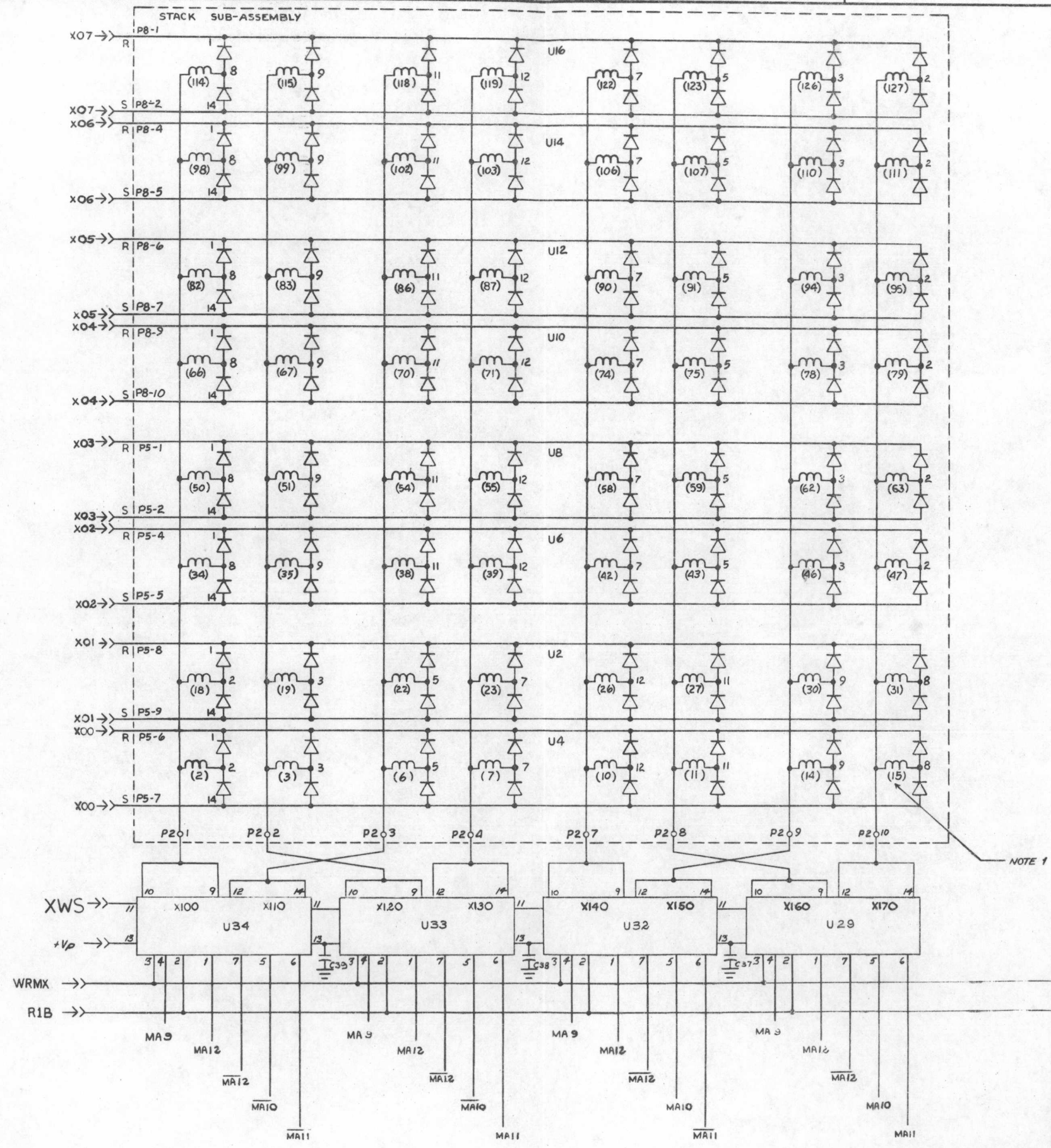
NOTE: ALL CAPACITORS ARE IN MICROFARADS, AND ALL RESISTORS ARE IN OHMS, 1/4 WATT, WITH 5% TOLERANCE UNLESS OTHERWISE SPECIFIED.

QTY	DESCRIPTION	PART NO

UNLESS OTHERWISE SPECIFIED— DIMENSIONS ARE IN INCHES— TOLERANCES ON FRACTIONS DECIMALS ANGLES XX ± XXX ± PARTS TO BE FREE FROM BURRS BREAK ALL EDGES .010	DRAWN CHET JOHNSON	DATA GENERAL CORPORATION SOUTHBORO, MASSACHUSETTS 01772 TITLE 16K MEMORY X DRIVERS
	CHECKED	
	ENGINEER	
	APPROVED	
UNLESS OTHERWISE SPECIFIED— ALL MACH. SURFACES	FIRST USED ON 107-000438-00	SIZE CODE D 001
MATERIAL	SCALE	DRAWING NUMBER 000 721
FINISH		REV 00

THIS DRAWING AND SPECIFICATIONS HEREIN ARE THE PROPERTY OF DATA GENERAL CORPORATION AND SHALL NOT BE REPRODUCED OR COPIED OR USED IN WHOLE OR IN PART AS THE BASIS FOR MANUFACTURE OR SALE OF ITEMS WITHOUT WRITTEN PERMISSION.

REVISIONS				
REV	DESCRIPTION	DRFTG	APP BY	DATE



NOTE 1

NOTE:-
1. FOR STACK VENDOR USE ONLY.

NOTE: ALL CAPACITORS ARE IN MICROFARADS, AND ALL RESISTORS ARE IN OHMS. 1/4 WATT, WITH 5% TOLERANCE UNLESS OTHERWISE SPECIFIED.

QTY	DESCRIPTION	PART NO

UNLESS OTHERWISE SPECIFIED— DIMENSIONS ARE IN INCHES TOLERANCES ON FRACTIONS DECIMALS ANGLES		DATA GENERAL CORPORATION	
± .005	± .010	SOUTHBORO, MASSACHUSETTS 01772	
± .0005	± .0010	TITLE	
± .0002	± .0005	16K MEMORY	
± .0001	± .0002	X DRIVERS	
UNLESS OTHERWISE SPECIFIED— ALL MACH. SURFACES		FIRST USED ON	
MATERIAL		107-000438-C0	
FINISH		SCALE	

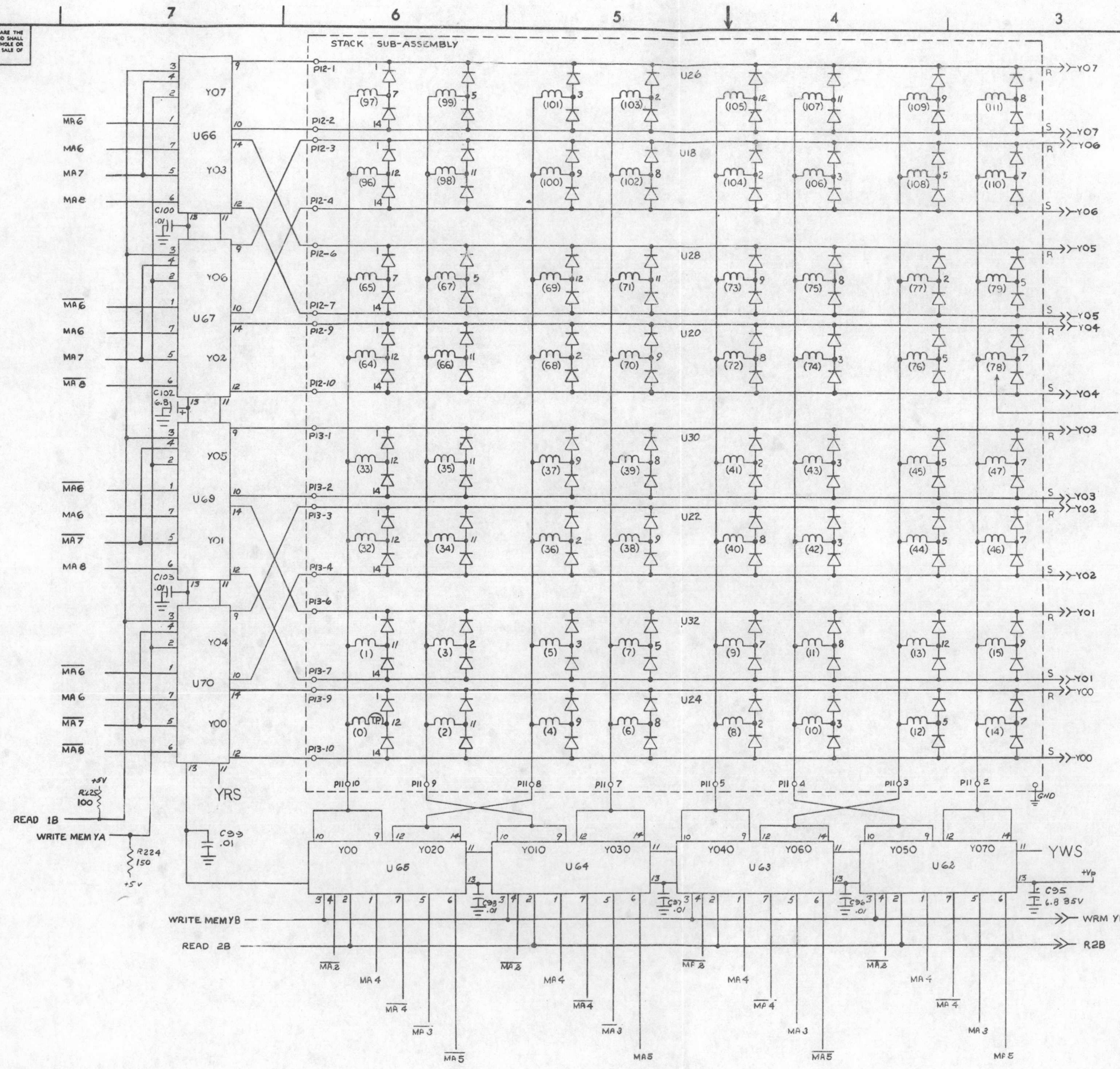
SIZE	CODE	DRAWING NUMBER	REV
D	001	000 721	0C

8 7 6 5 4 3 2 1

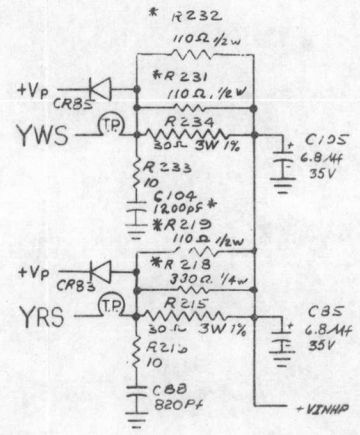
8 7 6 5 4 3 2 1 SHEET 4 OF 6

THIS DRAWING AND SPECIFICATIONS, HEREIN, ARE THE PROPERTY OF DATA GENERAL CORPORATION AND SHALL NOT BE REPRODUCED OR COPIED OR USED IN WHOLE OR IN PART AS THE BASIS FOR MANUFACTURE OR SALE OF ITEMS WITHOUT WRITTEN PERMISSION.

REVISIONS				
REV	DESCRIPTION	DRFTG	APP BY	DATE



NOTE 2



NOTE:
 R* RESISTORS SELECTED AT TEST LEVEL.
 2. FOR STACK VENDOR USE ONLY.

S* SOURCE
 R* RETURN

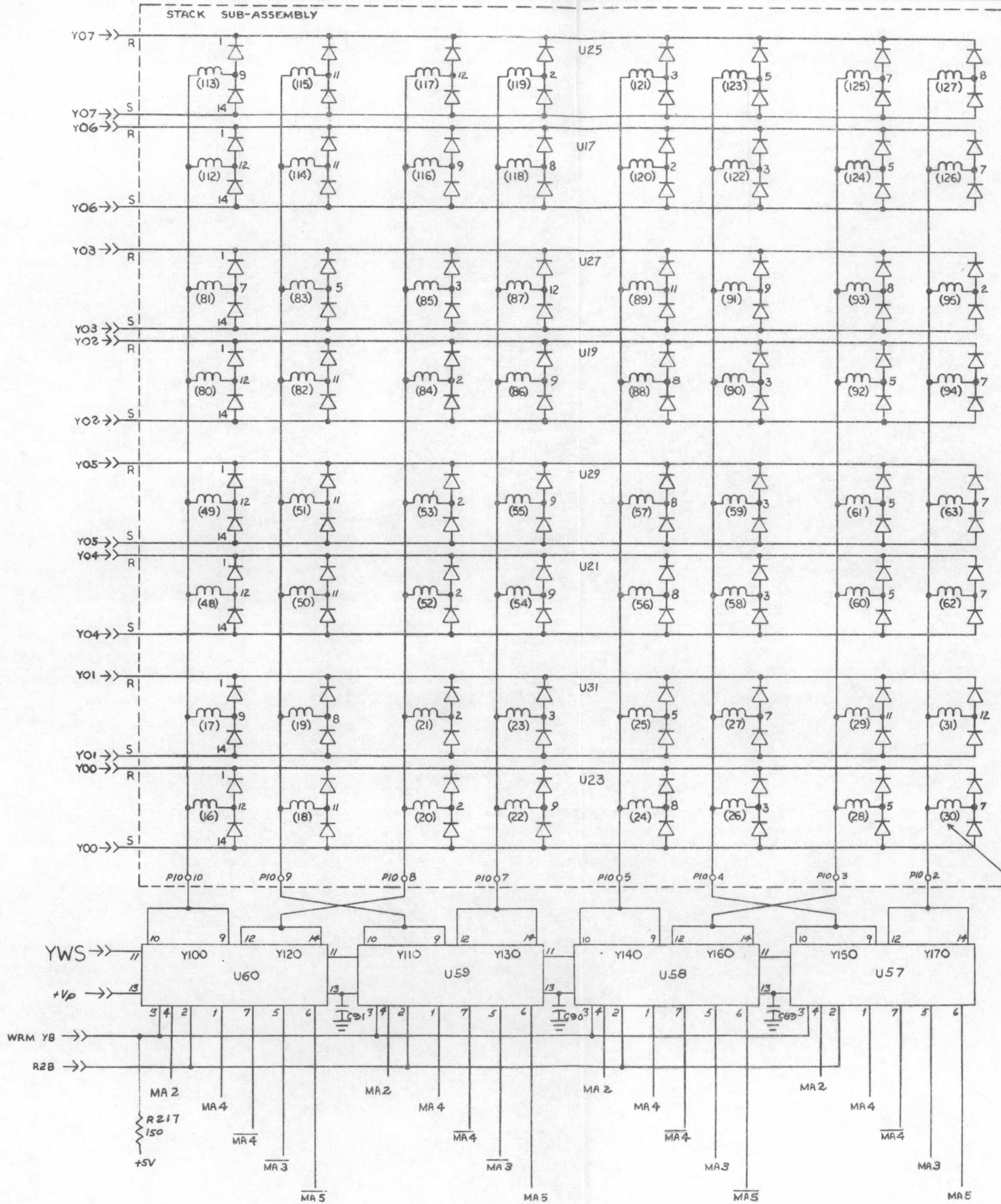
NOTE: ALL CAPACITORS ARE IN MICROPARADS, AND ALL RESISTORS ARE IN OHMS, 1/4 WATT, WITH 5% TOLERANCE UNLESS OTHERWISE SPECIFIED.

QTY	DESCRIPTION	PART NO

UNLESS OTHERWISE SPECIFIED— DIMENSIONS ARE IN INCHES FRACTIONS DECIMALS ANGLES XX = .0001 PARTS TO BE FREE FROM BURRS BREAK ALL EDGES .10	DRAWN CHET JOHNSON 11/1/72	DATA GENERAL CORPORATION SOUTHBORO, MASSACHUSETTS 01772
CHECKED		
ENGINEER		TITLE 16K MEMORY Y DRIVERS
APPROVED		
MATERIAL	FIRST USED ON 107-000438-00	SIZE CODE D 001
FINISH	SCALE	DRAWING NUMBER 000 721
		REV 00

THIS DRAWING AND SPECIFICATIONS HEREIN ARE THE PROPERTY OF DATA GENERAL CORPORATION AND SHALL NOT BE REPRODUCED OR COPIED OR USED IN WHOLE OR IN PART AS THE BASIS FOR MANUFACTURE OR SALE OF ITEMS WITHOUT WRITTEN PERMISSION.

REVISIONS				
REV.	DESCRIPTION	DRFTG.	APP BY	DATE



NOTE 1

NOTE:-
1. FOR STACK VENDOR USE ONLY.

NOTE: ALL CAPACITORS ARE IN MICROPARADS, AND ALL RESISTORS ARE IN OHMS, 1/4 WATT, WITH 5% TOLERANCE UNLESS OTHERWISE SPECIFIED.

QTY.	DESCRIPTION	PART NO.

DRAWN CHET JOHNSON		DATE 11/1/77		DATA GENERAL CORPORATION	
CHECKED				SOUTHBORO, MASSACHUSETTS 01772	
ENGINEER				TITLE	
APPROVED				16K MEMORY	
FIRST USED ON				Y DRIVERS	
MATERIAL		107-000438-00		DRAWING NUMBER	
FINISH		SCALE		REV	
				000 721	
				00	