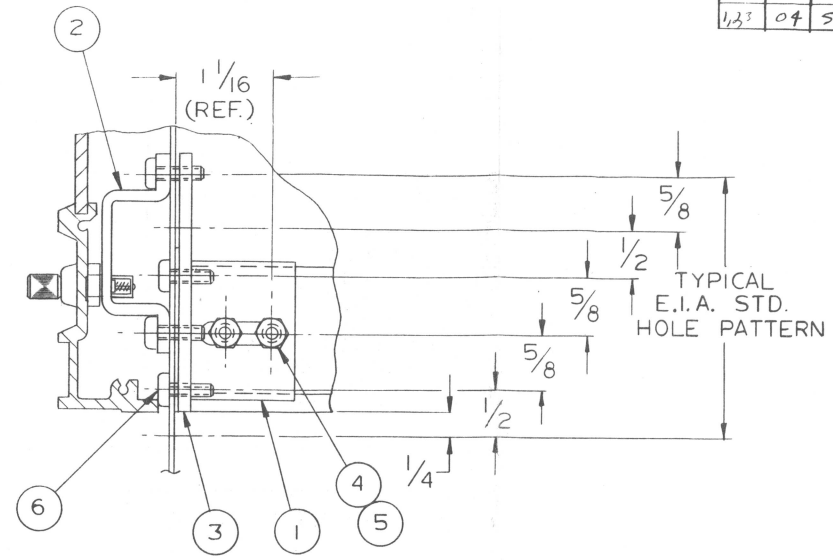
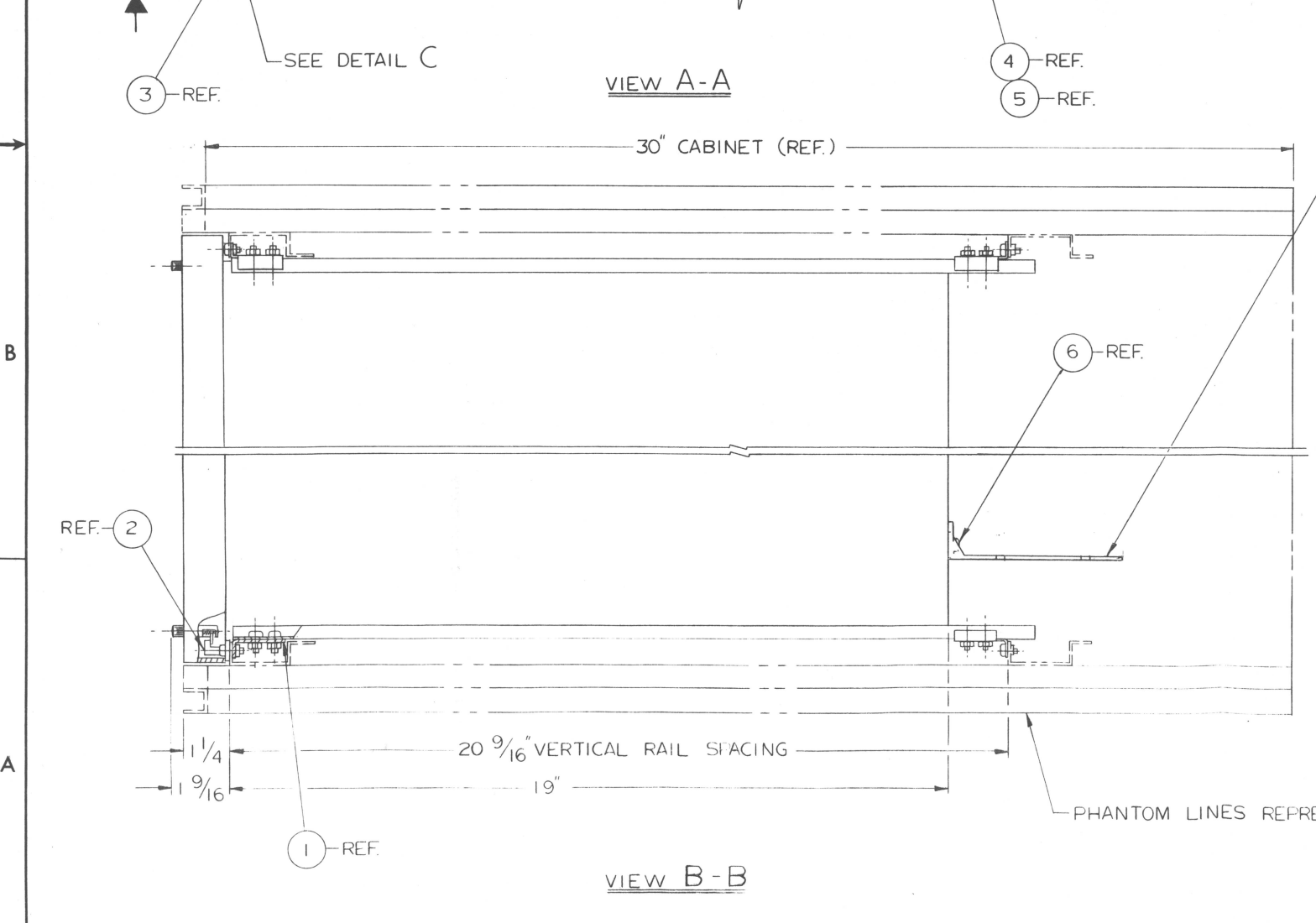
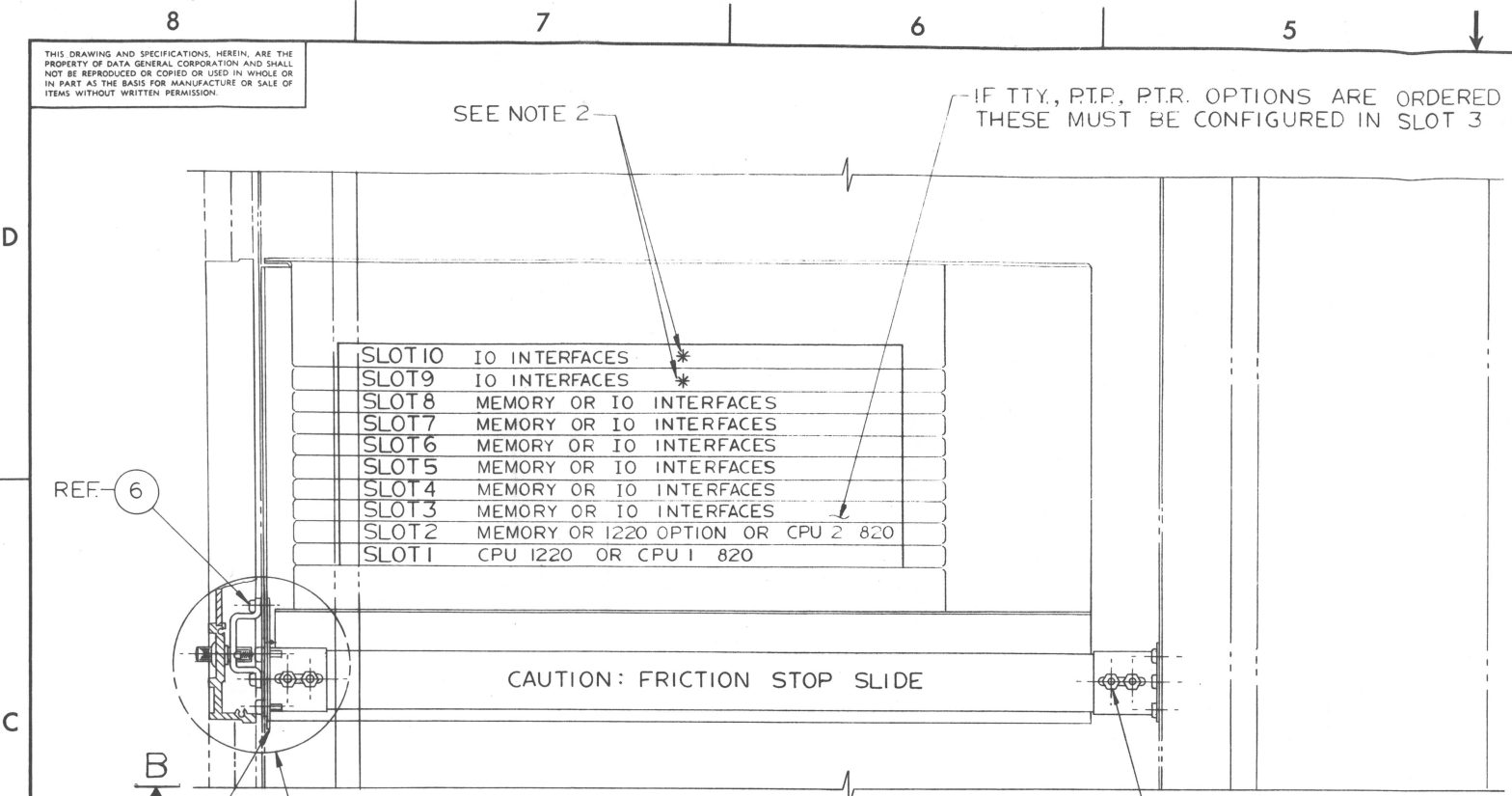


THIS DRAWING AND SPECIFICATIONS, HEREIN, ARE THE PROPERTY OF DATA GENERAL CORPORATION AND SHALL NOT BE REPRODUCED OR COPIED OR USED IN WHOLE OR IN PART AS THE BASIS FOR MANUFACTURE OR SALE OF ITEMS WITHOUT WRITTEN PERMISSION.

REVISIONS					
SHT	REV.	DESCRIPTION	DRFTG.	APP. BY	DATE
1,2,3	01	SEE ECO #939	JERRY	JR	5-15-72
1,2,3	02	SEE ECO #975	JERRY	JR	5-31-72
1,2,3	03	SEE ECO #1022	JERRY	JR	7-21-72
1,2,3	04	SEE ECO # 2190	W. VOLT	JERRY	11-14-72

SLOT 10	IO INTERFACES
SLOT 9	IO INTERFACES
SLOT 8	MEMORY OR IO INTERFACES
SLOT 7	MEMORY OR IO INTERFACES
SLOT 6	MEMORY OR IO INTERFACES
SLOT 5	MEMORY OR IO INTERFACES
SLOT 4	MEMORY OR IO INTERFACES
SLOT 3	MEMORY OR IO INTERFACES
SLOT 2	MEMORY OR I220 OPTION OR CPU 2 820
SLOT 1	CPU I220 OR CPU 1 820



DETAIL C  
SCALE: FULL SIZE  
2 PLACES  
NOTE: DETAIL-C- ALSO TYPICAL FOR TURNKEY CONSOLE

INSTALLATION PROCEDURE:  
REMOVE SIDE PANELS, PREASSEMBLE ITEM 1 TO OUTER SLIDE USING ITEMS 4 & 5 AS INDICATED, MOUNT OUTER SLIDE ASSEMBLY AS INDICATED. NOTE: SEE DETAIL "C" & REAR VIEW AND ASSEMBLE AS SHOWN

ITEM NO.	QTY.	DESCRIPTION	PART NO.
15	2	KEPS NUT 4-40	
14	2	SCREW PAN HD. PHILIPS 4 40 X 3/8 LG	
13	1	CABLE TIE MOUNT	123-000067
12	1	COVER	002-000537
11	1	3/16 DIA. CABLE CLAMP	123-000073
10	4	SCREW HEX HD #8-32X 1/4 LG. (SST)	— # —
9	A/R	HEX STAND-OFF	B002-000538
8	A/R	STRAIN RELIEF SUPPORT	123-000053
7	A/R	CABLE TIE	123-000054
6	17	SCREW PAN HD. PHILIPS #10-32 X 1/2 LG.	— # —
5	8	KEPS NUT #8-32	— # —
4	8	SCREW BINDER HD. PHILIPS #8-32X 1/2 LG. (SST)	— # —
3	4	NUT PLATE (#10-32)	002-000308
2	2	STRIKE PLATE	002-000232
1	4	BRACKET, SLIDE	002-000270
REF.		NOVA I220	— # —

UNLESS OTHERWISE SPECIFIED— DIMENSIONS ARE IN INCHES  
TOLERANCES ON FRACTIONS— DECIMALS ANGLES  
= 1/64 .XXX ± .005 ± 1/2°  
PARTS TO BE FREE FROM BURRS  
BREAK ALL EDGES .010

UNLESS OTHERWISE SPECIFIED— ALL MACH. SURFACES

MATERIAL — # —  
FINISH — # —

SCALE 1/2 X SIZE

DRAWN P. MARQUIS 2/4/72  
CHECKED JERRY 5/7/72  
ENGINEER  
APPROVED  
FIRST USED ON

DATA GENERAL CORPORATION  
SOUTHBORO, MASSACHUSETTS 01772

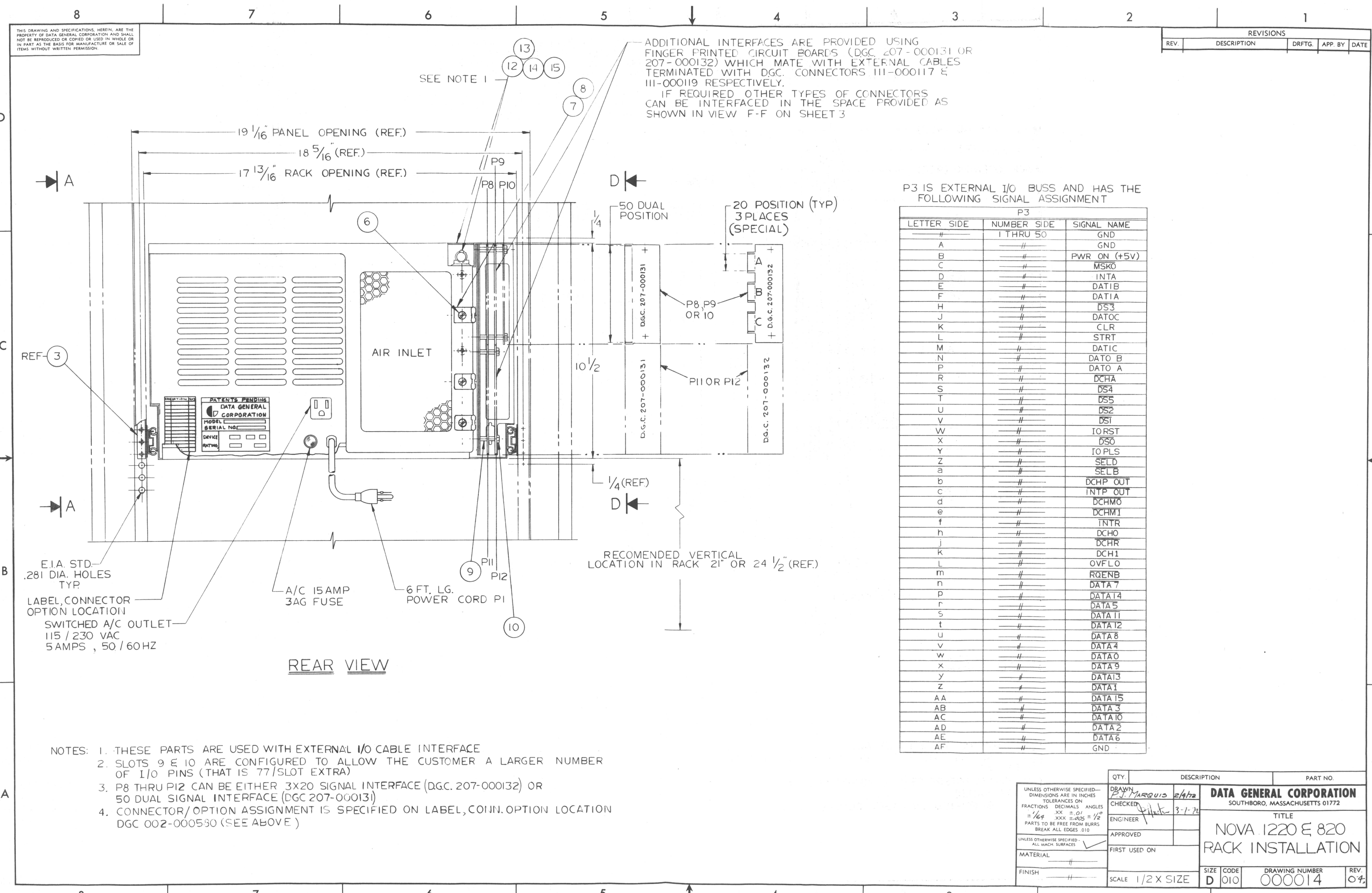
TITLE  
NOVA I220 & 820  
RACK INSTALLATION

SIZE CODE D 010  
DRAWING NUMBER 000014  
REV. 04

THIS DRAWING AND SPECIFICATIONS, HEREIN, ARE THE PROPERTY OF DATA GENERAL CORPORATION AND SHALL NOT BE REPRODUCED OR COPIED OR USED IN WHOLE OR IN PART AS THE BASIS FOR MANUFACTURE OR SALE OF ITEMS WITHOUT WRITTEN PERMISSION.

REVISIONS			
REV.	DESCRIPTION	DRFTG.	APP. BY DATE

ADDITIONAL INTERFACES ARE PROVIDED USING FINGER PRINTED CIRCUIT BOARDS (DGC 207-000131 OR 207-000132) WHICH MATE WITH EXTERNAL CABLES TERMINATED WITH DGC CONNECTORS III-000117 & III-000119 RESPECTIVELY.  
IF REQUIRED OTHER TYPES OF CONNECTORS CAN BE INTERFACED IN THE SPACE PROVIDED AS SHOWN IN VIEW F-F ON SHEET 3



P3 IS EXTERNAL I/O BUSS AND HAS THE FOLLOWING SIGNAL ASSIGNMENT

P3		
LETTER SIDE	NUMBER SIDE	SIGNAL NAME
#	1 THRU 50	GND
A	#	GND
B	#	PWR ON (+5V)
C	#	MSK0
D	#	INTA
E	#	DATIB
F	#	DATIA
H	#	DS3
J	#	DATOC
K	#	CLR
L	#	STRT
M	#	DATIC
N	#	DATO B
P	#	DATO A
R	#	DCHA
S	#	DS4
T	#	DS5
U	#	DS2
V	#	DS1
W	#	IORST
X	#	DS0
Y	#	IO PLS
Z	#	SELD
a	#	SELB
b	#	DCHP OUT
c	#	INTP OUT
d	#	DCHM0
e	#	DCHM1
f	#	INTR
h	#	DCH0
j	#	DCHR
k	#	DCH1
L	#	OVFL0
m	#	ROENB
n	#	DATA7
p	#	DAT14
r	#	DATA5
s	#	DATA11
t	#	DAT12
u	#	DATA8
v	#	DATA4
w	#	DATA0
x	#	DATA9
y	#	DAT13
Z	#	DATA1
AA	#	DATA15
AB	#	DATA3
AC	#	DAT10
AD	#	DATA2
AE	#	DATA6
AF	#	GND

REAR VIEW

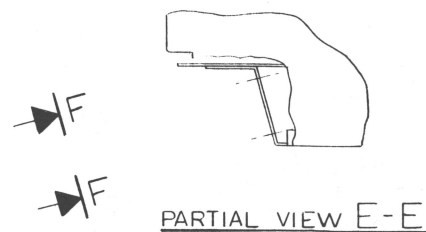
- NOTES: 1. THESE PARTS ARE USED WITH EXTERNAL I/O CABLE INTERFACE  
2. SLOTS 9 & 10 ARE CONFIGURED TO ALLOW THE CUSTOMER A LARGER NUMBER OF I/O PINS (THAT IS 77/SLOT EXTRA)  
3. P8 THRU P12 CAN BE EITHER 3X20 SIGNAL INTERFACE (DGC. 207-000132) OR 50 DUAL SIGNAL INTERFACE (DGC 207-000131)  
4. CONNECTOR/OPTION ASSIGNMENT IS SPECIFIED ON LABEL, COIN. OPTION LOCATION DGC 002-000530 (SEE ABOVE)

<small>UNLESS OTHERWISE SPECIFIED— DIMENSIONS ARE IN INCHES TOLERANCES ON FRACTIONS DECIMALS ANGLES = 1/64 .XXX ±.005 ± 1/2 PARTS TO BE FREE FROM BURRS BREAK ALL EDGES .010</small>	QTY.	DESCRIPTION	PART NO.
<small>UNLESS OTHERWISE SPECIFIED— ALL MACH. SURFACES</small>	<small>DRAWN P. Marquis elh</small>	<b>DATA GENERAL CORPORATION</b> SOUTHBORO, MASSACHUSETTS 01772	
<small>MATERIAL</small>	<small>CHECKED 3-1-71</small>	<small>TITLE</small> NOVA 1220 & 820 RACK INSTALLATION	
<small>FINISH</small>	<small>APPROVED</small>	<small>FIRST USED ON</small>	<small>SIZE CODE</small> D 010
<small>SCALE</small> 1/2 X SIZE	<small>DRAWING NUMBER</small> 000014	<small>REV.</small> 04	<small>REV.</small> 04

THIS DRAWING AND SPECIFICATIONS, HEREIN, ARE THE PROPERTY OF DATA GENERAL CORPORATION AND SHALL NOT BE REPRODUCED OR COPIED OR USED IN WHOLE OR IN PART AS THE BASIS FOR MANUFACTURE OR SALE OF ITEMS WITHOUT WRITTEN PERMISSION.

REVISIONS			
REV.	DESCRIPTION	DRFTG.	APP. BY DATE

D  
C  
B  
A



PARTIAL VIEW E-E

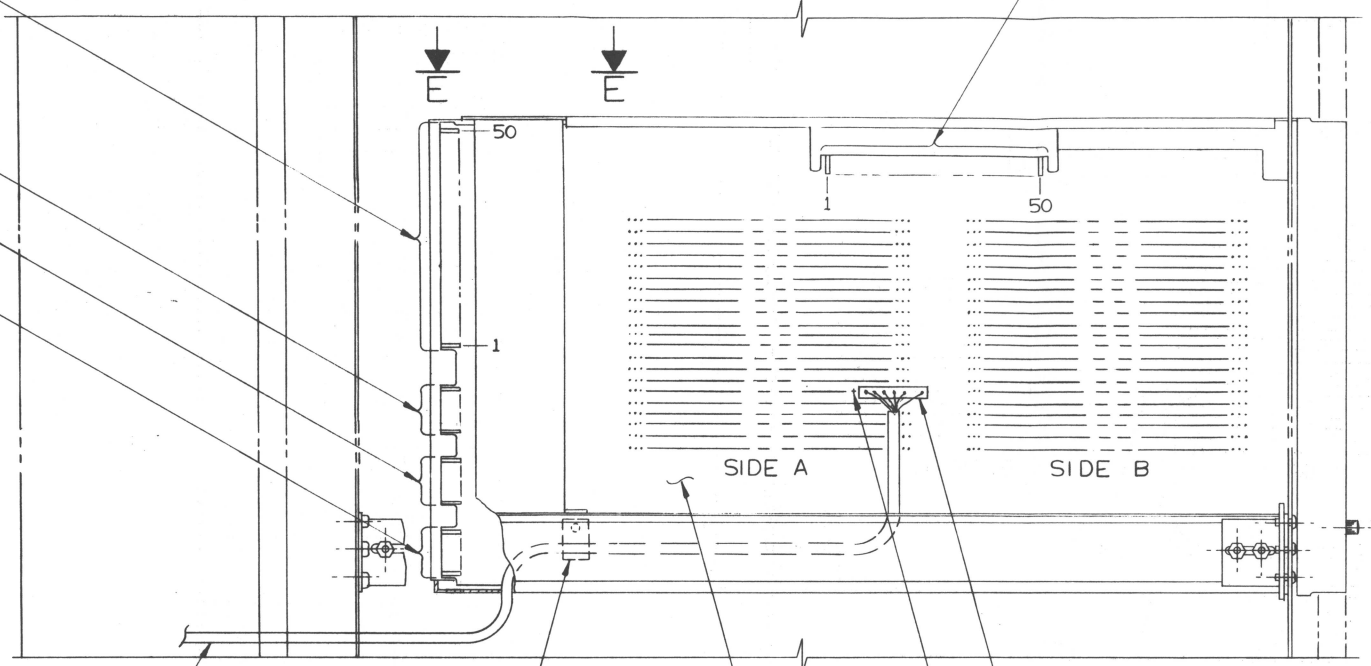
P3 (NUMBER SIDE OF CONNECTOR SHOWN)  
(SEE CHART ON SHEET 2 FOR SIGNAL ASSIGNMENT)  
MATING EXTERNAL CONNECTOR (DGC. 111-000117  
WITH CONTACT DGC. 111-000115)

P4  
(SEE CHART)  
MATING CONNECTOR  
(DGC. 111-000117)  
WITH CONTACT  
(DGC. 111 000115)

P5 P.T.R.  
OPTION 4011B  
P6 EIA  
OPTION 4023

P7 P.T.P.  
OPTION 4012A

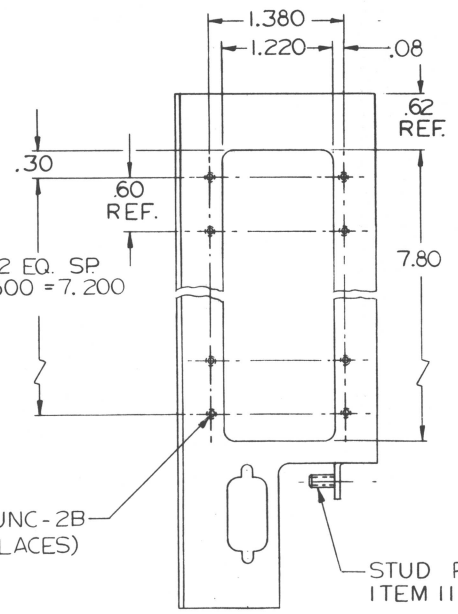
MATING CONNECTOR  
(DGC 111-000119)  
WITH CONTACT  
(DGC 111-000115)



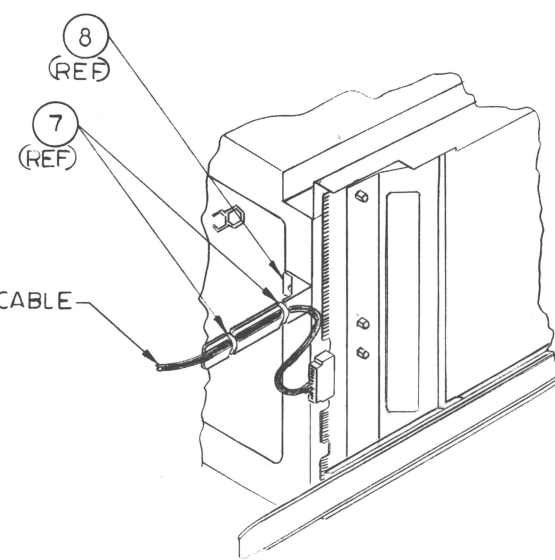
TTY. INTERFACE CONNECTOR P2  
(DGC 111-000114 WITH CONTACT 111-000058)

POWER SUPPLY BOARD &  
BACK PANEL

TO TTY.



VIEW F-F  
SCALE: FULL SIZE



PARTIAL REAR VIEW (ISOMETRIC)  
SHOWING SUGGESTED STRAIN RELIEF OF EXTERNAL CABLE  
OR CABLES SCALE - NONE

P 4		BACK PANEL
NUMBER SIDE	LETTER SIDE	SLOT - SIDE - PIN NO.
#	A-THRU-AF GND	#
1	#	GND
2	#	9-A-92
3	#	9-A-91
4	#	9-A-78
5	#	9-A-77
6	#	9-A-76
7	#	9-A-75
8	#	9-A-73
9	#	9-A-71
10	#	9-A-69
11	#	9-A-67
12	#	9-A-65
13	#	9-A-63
14	#	9-A-61
15	#	9-A-59
16	#	9-A-57
17	#	9-A-47
18	#	9-A-49
19	#	9-A-79
20	#	9-A-81
21	#	9-A-84
22	#	9-A-83
23	#	9-A-86
24	#	9-A-85
25	#	9-A-88
26	#	9-A-87
27	#	9-A-89
28	#	9-A-90
29	#	9-B-6
30	#	9-B-11
31	#	9-B-13
32	#	9-B-15
33	#	9-B-19
34	#	9-B-23
35	#	9-B-25
36	#	9-B-27
37	#	9-B-31
38	#	9-B-34
39	#	9-B-36
40	#	9-B-38
41	#	9-B-40
42	#	9-B-48
43	#	9-B-49
44	#	9-B-51
45	#	9-B-52
46	#	9-B-53
47	#	9-B-54
48	#	9-B-67
49	#	9-B-69
50	#	(RESERVED)

QTY.	DESCRIPTION	PART NO.
UNLESS OTHERWISE SPECIFIED— DIMENSIONS ARE IN INCHES— TOLERANCES ON FRACTIONS DECIMALS ANGLES = 1/64" .001" .005" ± 1/2° PARTS TO BE FREE FROM BURRS BREAK ALL EDGES .010		
DRAWN P.J. MARQUIS	2/4/72	DATA GENERAL CORPORATION SOUTHBORO, MASSACHUSETTS 01772
CHECKED	3/7/72	TITLE NOVA 1220 E 820 RACK INSTALLATION
ENGINEER		SIZE CODE D 010
APPROVED		DRAWING NUMBER 000014
FIRST USED ON		REV. 04
MATERIAL		SCALE 1/2 X SIZE
FINISH		