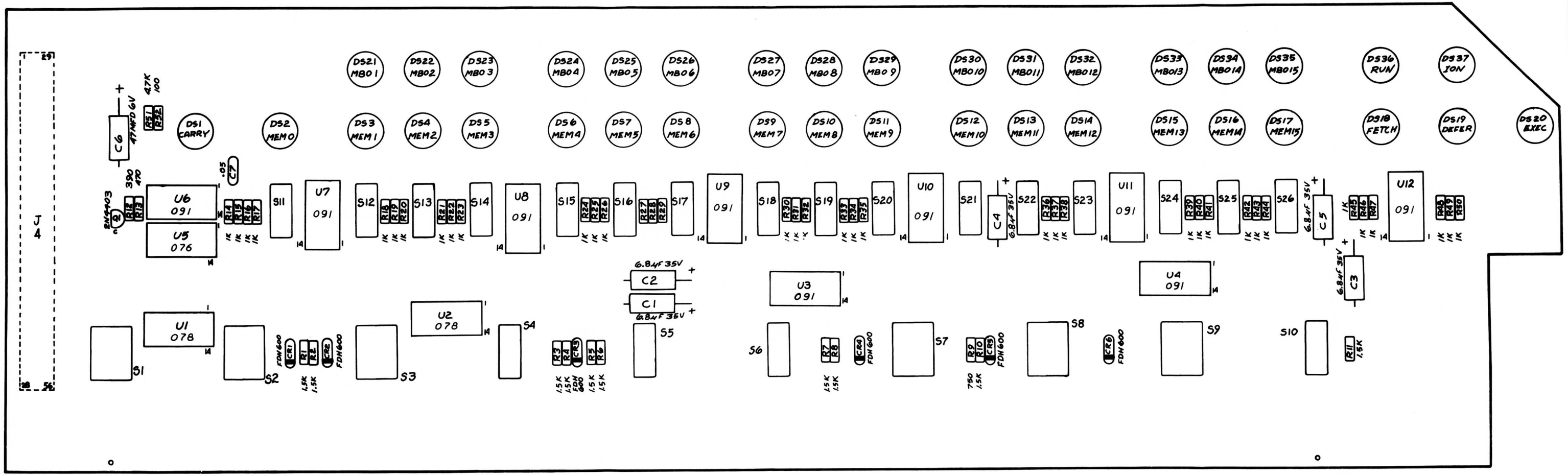


THIS DRAWING AND SPECIFICATIONS HEREIN ARE THE PROPERTY OF DATA GENERAL CORPORATION AND SHALL NOT BE REPRODUCED OR COPIED OR USED IN WHOLE OR IN PART AS THE BASIS FOR MANUFACTURE OR SALE OF ITEMS WITHOUT WRITTEN PERMISSION.

REV	DESCRIPTION	DATE	APP BY	DATE
01	ECO 2817		O. Kline	

003-000133-00



QTY.	DESCRIPTION	PART NO.
	DRAWN O. Kline 9-25-74	DATA GENERAL CORPORATION
	CHECKED	SOUTHBORO, MASSACHUSETTS 01772
	ENGINEER	TITLE
	APPROVED RC 8/9/74	I.P.L. NOVA
	FIRST USED ON	800/820/1200/1210/1220
		CONSOLE
	SCALE	SIZE CODE DRAWING NUMBER REV
		D 016 000002 01