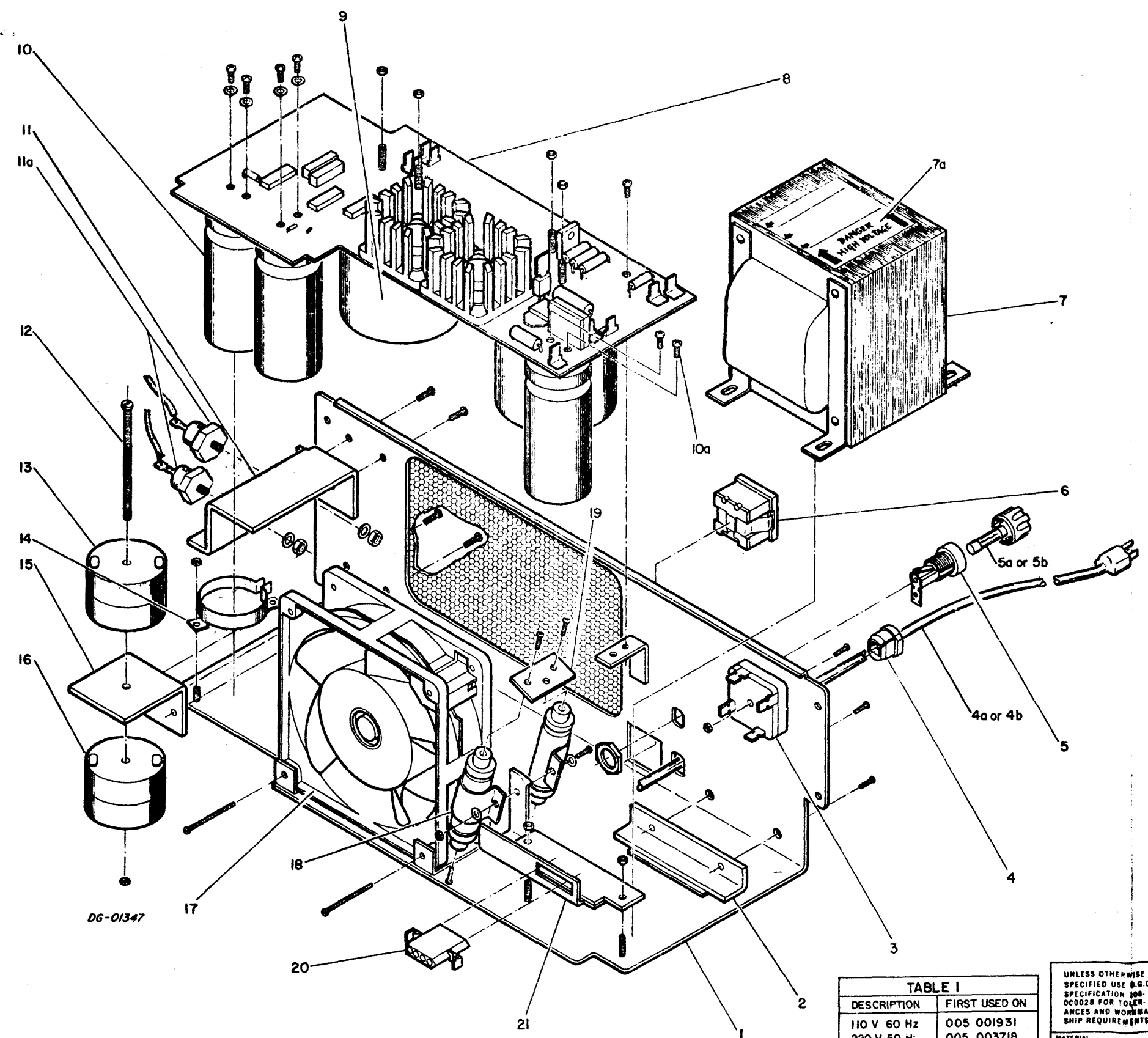


ALL DIMENSIONS AND SPECIFICATIONS HEREIN ARE THE PROPERTY OF DATA GENERAL CORPORATION AND SHALL BE MAINTAINED IN CONFIDENCE OR USED IN WHOLE OR IN PART AS THE BASIS FOR MANUFACTURE OR SALE OF ANY EQUIPMENT WITHOUT PERMISSION.

REVISIONS				
REV	DESCRIPTION	DRFTG	APP BY	DATE
00	RELEASED PER ELEM 4241			



ITEM	QTY	DESCRIPTION	PART NO
21	1	BRACKET, FILTER	003 000806
2		KEPS NUT #6	106 000885
20	1	CONNECTOR, MOLEX	005 000846
19	1	FILTER TERM. BD	003 000806
8		SCREW, SEMS 10-32x3/8 P.H. SLT.	106 000106
18	2	CAPACITOR, LINE FILTER 1000µF	103 000013
1		SCREW, SEMS 10-32x5/8	106 000109
2		LK WASH #10	106 000886
1		KEPS NUT #10	106 000854
17	1	FAN, AXIAL-ROTRUMMUFF	115 000002
2		SCREW SLOTTED 6-32x1 3/4	106 000306
16	1	CHOKE GRN AG 50T 1/4	005 001917
15	1	BRACKET, CHOKE	003 000289
2		SCREW, SEMS 8-32x3/8	106 000485
14	1	BRACKET CAPACITOR MTG.	123 000004
1		KEPS NUT 8-32	106 000285
13	1	CHOKE, RED AG-30T 1/4	005 003178
12	1	SCREW, NYLON 10-32x2 3/4	106 000678
1		KEPS NUT 10-32	106 000384
2		WASHER, NYLON	128 000400
11	1	DIODE BRACKET	003 001213
11a	2	DIODE	109 000008
2		SCREW, SEMS 8-32x3/8	106 000485
10	3	CAPACITOR 18000µF	106 000006
4		SCREW, SEMS 10-32x3/8	106 000106
4		WASHER, FLAT #10	106 000883
10a	2	SCREW BD. HD. 10-32x3/8	106 000883
9	2	CAPACITOR 34000µF	106 000048
4		ALLEN SET SCREW 10-32x7/8	106 000847
4		KEPS NUT 10-32	106 000384
8	1	ASSY P. C. B. POWER SUPPLY	005 001883
1		WASHER, FLAT #10	106 000883
1		SCREW, SEMS 10-32x3/8	106 000106
REF		I. P. L. PCB POWER SUPPLY	016 000078
7	1	TRANSFORMER	104 000023
7a	1	LABEL	002 000307
6	1	AC COURTESY PLUG	005 003236
5	1	FUSE HOLDER, PANEL MTD.	113 000018
5a	1	10A FUSE 110V	113 000003
or			
5b	1	15A FUSE 250V	113 000017
4	1	STRAIN RELIEF	123 000048
4a	1	AC PWR CORD 110V 60HZ	005 000383
or			
4b	1	AC PWR CORD 250V 50HZ	005 003725
3	1	RECTIFIER BRIDGE	101 000091
1		SCREW, SEMS 6-32x5/8	106 000346
1		KEPS NUT #6	106 000285
2	1	CLAMP TRANSFORMER	003 000388
2		SCREW, SEMS 10-32x3/8	106 000106
1	1	CHASSIS POWER SUPPLY	003 000867

DESCRIPTION	FIRST USED ON
110 V 60 Hz	005 001931
220 V 50 Hz	005 003718

UNLESS OTHERWISE SPECIFIED USE D.G.C. SPECIFICATION 100-000028 FOR TOLERANCES AND WORKMANSHIP REQUIREMENTS.

MATERIAL: *7*

FINISH: *7*

DRAWN: *2/2/77* 5/2/77
 CHECKED: *7/2/77* 5-30-77
 ENGINEER: *7/2/77*
 APPROVED: *7/2/77* 5-3-77
 FIRST USED ON: *7/2/77*

SEE TABLE I

DATA GENERAL CORPORATION
 SOUTHBORO, MASSACHUSETTS 01772

TITLE
**MECH IPL
 POWER SUPPLY
 NOVA 71200**

SIZE CODE: D 016
 DRAWING NUMBER: 000193
 REV: 00