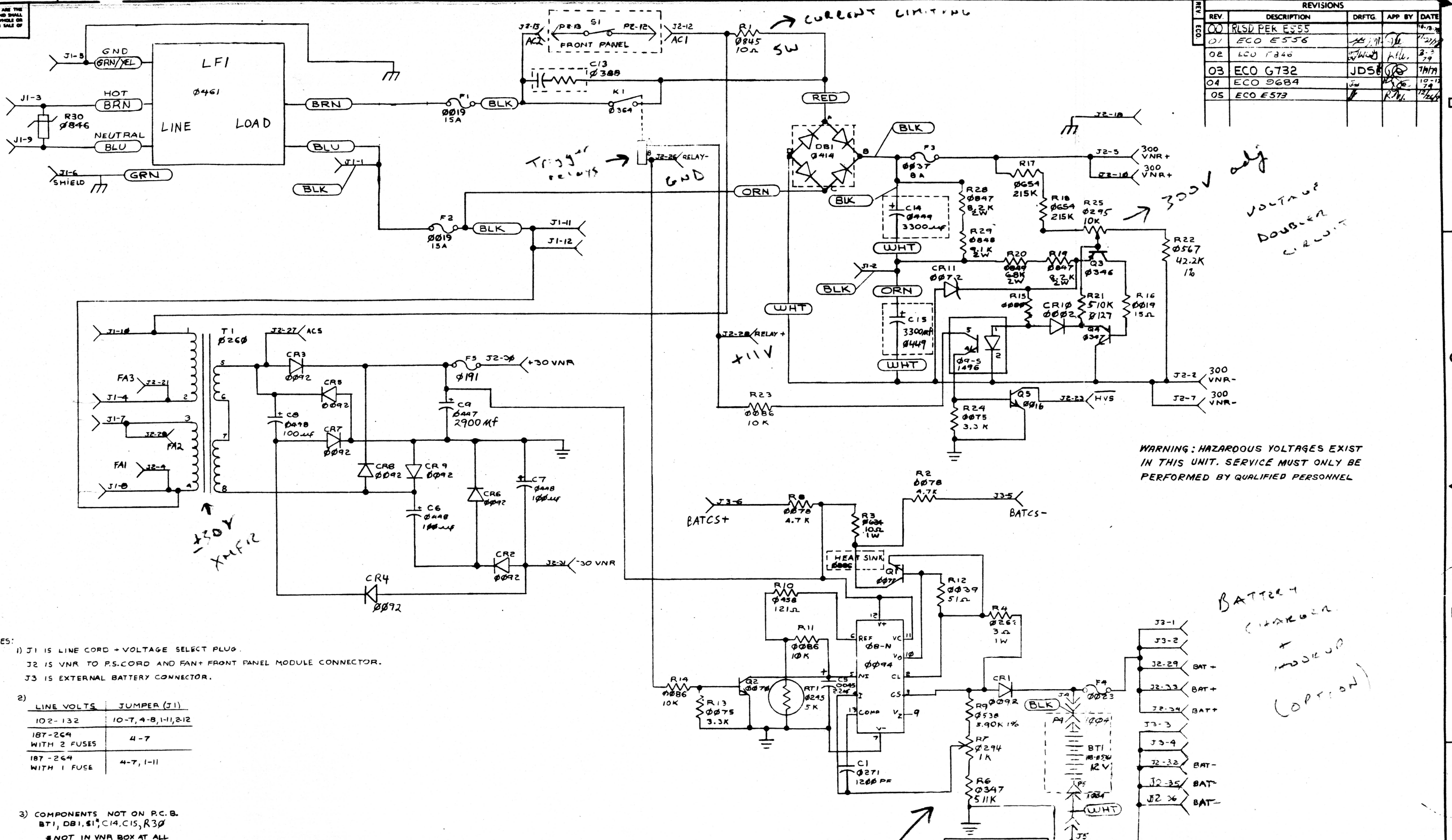


THIS DRAWING AND SPECIFICATIONS HEREIN ARE THE PROPERTY OF DATA GENERAL CORPORATION AND SHALL NOT BE REPRODUCED OR COPIED OR USED IN WHOLE OR IN PART AS THE BASIS FOR MANUFACTURE OR SALE OF ITEMS WITHOUT WRITTEN PERMISSION.

| REVISIONS |               |       |        |          |
|-----------|---------------|-------|--------|----------|
| REV       | DESCRIPTION   | DRFTG | APP BY | DATE     |
| 00        | RLSD PER E555 |       |        | 10-10-78 |
| 01        | ECO E556      |       |        | 11-21-78 |
| 02        | ECO F840      |       |        | 2-29-79  |
| 03        | ECO G732      | JDS   |        | 7/17/79  |
| 04        | ECO S684      |       |        | 10-11-79 |
| 05        | ECO E573      |       |        | 12-26-79 |



NOTES:  
 1) J1 IS LINE CORD + VOLTAGE SELECT PLUG.  
 J2 IS VNR TO P.S. CORD AND FAN + FRONT PANEL MODULE CONNECTOR.  
 J3 IS EXTERNAL BATTERY CONNECTOR.

| LINE VOLTS           | JUMPER (J1)           |
|----------------------|-----------------------|
| 102-132              | 10-7, 9-8, 1-11, 2-12 |
| 187-269 WITH 2 FUSES | 4-7                   |
| 187-269 WITH 1 FUSE  | 4-7, 1-11             |

3) COMPONENTS NOT ON P.C.B.  
 BT1, DB1, S1, C14, C15, R30  
 NOT IN VNR BOX AT ALL

4) R7 SETS BATTERY CHARGER OUTPUT VOLTAGE TO 14.1 VOLTS.  
 R25 SETS LEVEL OF +300VNR THAT CAUSES HVS TO GO HIGH (WHEN +300VNR DROPS FROM 300 VOLTS TO 235 VOLTS).

WARNING: HAZARDOUS VOLTAGES EXIST IN THIS UNIT. SERVICE MUST ONLY BE PERFORMED BY QUALIFIED PERSONNEL

| ARTWORK: 107-985-    |                 | ITEM                 |               | DESCRIPTION   |                       | PART NO.                 |                |
|----------------------|-----------------|----------------------|---------------|---|-----------------------|--------------------------|----------------|
| ARTWORK VS SCHEMATIC |                 | DO NOT SCALE DRAWING |               | UNLESS OTHERWISE SPECIFIED USE D.G.C. SPECIFICATION |                       | DATA GENERAL CORPORATION |                |
| REV                  | SCHEMATIC (REV) | QTY                  | DRAWN         | DATE  | WESTBORO, MASS. 01581 |                          |                |
| 02                   | 01, 02, 03, 04  |                      | CHECKED       |   | TITLE                 |                          |                |
| 03                   | 05              |                      | ENGINEER      |   | DGC MACHINE           |                          |                |
|                      |                 |                      | APPROVED      |   | VNR SECTION           |                          |                |
|                      |                 |                      | FIRST USED ON |   | SCALE                 |                          |                |
|                      |                 |                      | 005012371     |   | CODE IDENT.           | SIZE                     | DRAWING NUMBER |
|                      |                 |                      |               |   |                       |                          | REV            |
|                      |                 |                      |               |   |                       |                          | 05             |

adj. for battery voltage

BATTERY CHARGER + MODIFIED (OPTION)

DRAWING 40526 38976